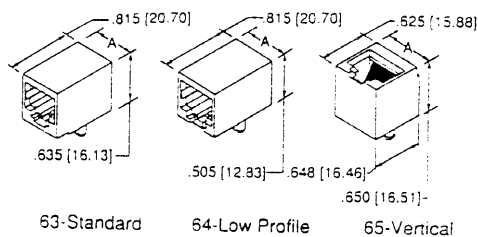


4300801092

# Modular Jacks, Series SS 63, 64 & 65

## SERIES

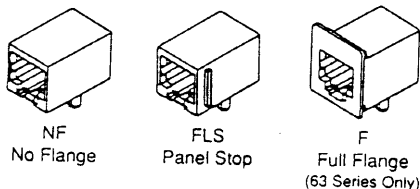


Inches (mm)

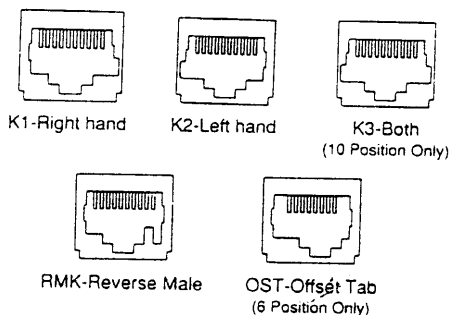
"A" Dimension Contact Config.			
Series	4 X 4	4 X 6	6 X 6
63	.445 (11.30)	.525 (13.34)	.525 (13.34)
64	.445 (11.30)	.525 (13.34)	.525 (13.34)
65	.455 (11.56)	.535 (13.59)	.535 (13.59)

Series	8 X 8	10 X 10
63	.505 (15.37)	N/A
64	.505 (15.37)	.605 (15.37)
65	.615 (15.62)	.615 (15.62)

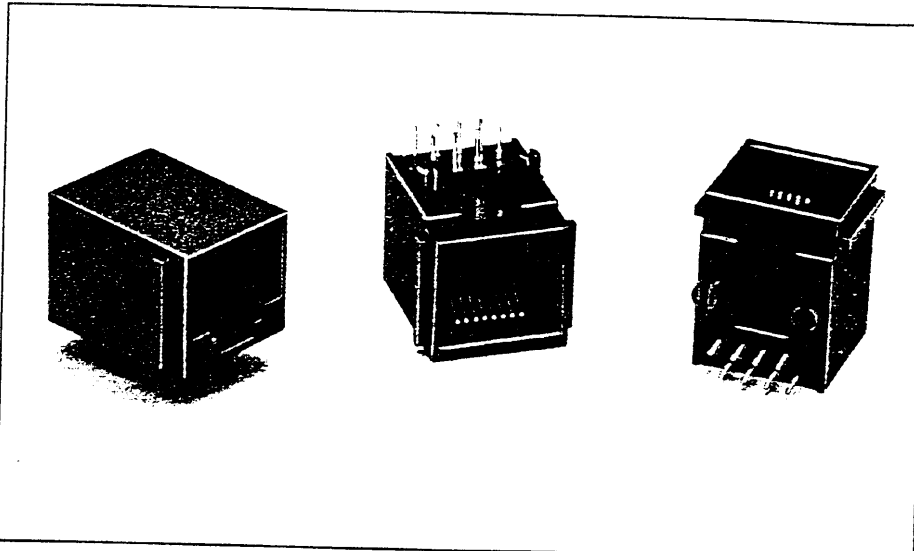
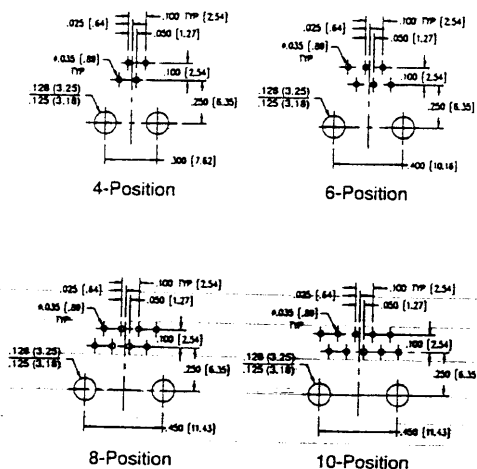
## FLANGE OPTIONS



## KEYING OPTIONS



## PWB FOOTPRINT



The contacts in Stewart Connector's modular jacks are designed to meet the demanding requirements of error free digital transmission and communication applications.

## FEATURES

- FCC compliant.
- Listed by Underwriters Laboratories Inc., File E132408(N)-DUXR2.
- Certified by Canadian Standards Association, File 67725.
- Fully enclosed / no exposed conductors.
- Wire formed contacts with radiused edges for hang-up free flexing.
- Contacts combed and preloaded in individual slots.
- Spring temper contact for high normal force, low resistance connections.
- Available in 4, 6, 8 & 10 contact positions and multi-port versions (up to 13 ports).
- Available in switching and internal shorting configurations.
- Short jack (.695" (17.65) long) available in 64 series 8 x 8 configurations, contact factory for details.

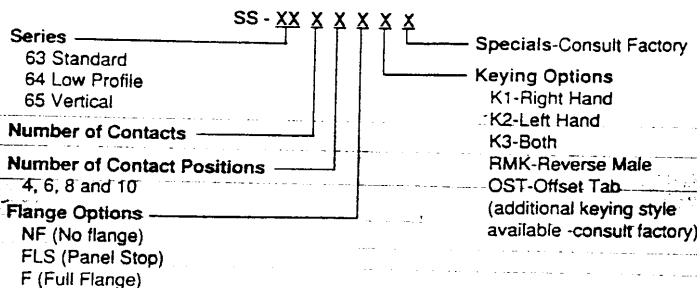
## ELECTRICAL CHARACTERISTICS

- Current/Voltage Rating:** 1.5 Amps, 30VAC/42VDC.
- Dielectric Withstanding:** 1,000 Volts RMS, 1Min (60Hz).
- Insulation Resistance:** 500 Megohm Min.

## MATERIALS

- Housing:** Polyester UL 94 V-0.
- Contacts:** Phosphor bronze.
- Plating:** Selectively plated gold at 30 microinch over Ni with SnPb on soldertails. 50 microinch gold available when requested (FCC certifiable). Consult factory.

## HOW TO ORDER



## X-ON Electronics

Largest Supplier of Electrical and Electronic Components

*Click to view similar products for [Modular Connectors / Ethernet Connectors](#) category:*

*Click to view products by [Stewart Connector / Bel](#) manufacturer:*

Other Similar products are found below :

[RJE231881317T](#) [MP1010RX-1000](#) [MP44RX-1000](#) [GAX-3-66](#) [GAX-8-62](#) [93606-0253](#) [GD-A-44](#) [GDCX-PA-66-50](#) [GDCX-PN-64](#) [GDCX-PN-66](#) [GDCX-PN-66-50](#) [GDLX-A-66](#) [GDLX-A-88](#) [GDLX-N-66](#) [GDLX-S-88K](#) [GDTX-S-88-50](#) [GDX-PA-1010](#) [GLX-N-1010M-BLK](#) [GLX-N-44M](#) [GLX-S-88M-BLK](#) [GMX-N-1010](#) [GMX-S-1010](#) [GMX-S-66](#) [GMX-SMT2-N-1010](#) [GMX-SMT2-N-64-50](#) [GMX-SMT2-S6-88](#) [GMX-SMT4-N-88](#) [GPX-2-64](#) [GRT1-BT1-5](#) [GSGX-N-2-88](#) [GSX-NS2-88-3.05](#) [GSX-NS2-88-3.05-50](#) [GSX-NS-88-3.05-30](#) [GSX-NS-88-3.05-50](#) [GSX-NS-88-3.68](#) [1-1775629-2](#) [GWLX-S-88-GR](#) [GWLX-S9-88-YG](#) [1300500326](#) [1300500227](#) [1300530003](#) [1300570002](#) [1324640-4](#) [RJ11FTVC2G](#) [RJ11FTVC2N](#) [RJFTVX2SA1G](#) [132764-001](#) [1400000](#) [1413176](#) [1413235](#)