



## Coil Data

at 20°C

	Nominal Voltage VDC	Pick-up Voltage VDC	Drop-out Voltage VDC	Coil resistance $\Omega \pm 10\%$	Parallel <sup>(1)</sup> resistance $\Omega \pm 5\%$	Equivalent resistance $\Omega \pm 10\%$	Power consumption W	Max. allowable overdrive voltage <sup>(2)</sup> VDC	
								20°C	85°C
Standard	12	7.2	1.2	90	-	-	1.6	20	15
	12	7.2	1.2	90	680	79.5	1.8	20	15
	24	14.4	2.4	360	-	-	1.6	40	30
	24	14.4	2.4	360	2700	317.6	1.8	40	30
Sensitive	12	7.2	1.2	124	-	-	1.2	25	19
	12	7.2	1.2	124	680	104.9	1.4	20	15
	24	14.4	2.4	441	-	-	1.3	47	35
	24	14.4	2.4	441	1800	354.2	1.6	33	25

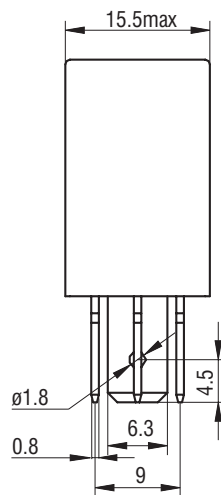
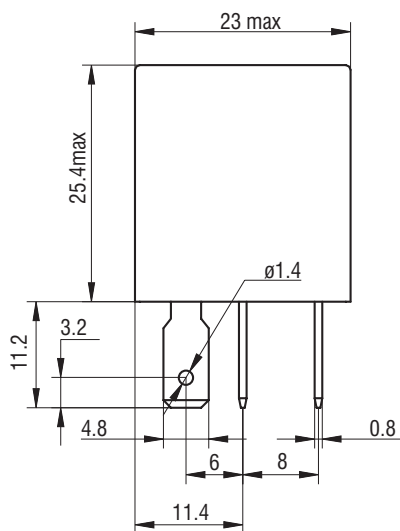
(1) The power consumption of parallel resistance is 0.5W

(2) Max. allowable overdrive voltage is stated with no load applied and minimum coil resistance

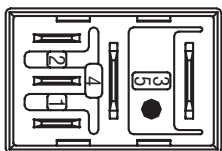
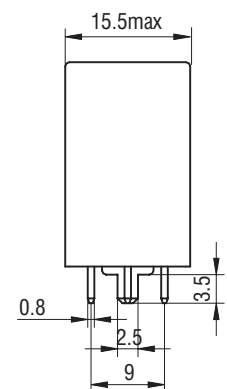
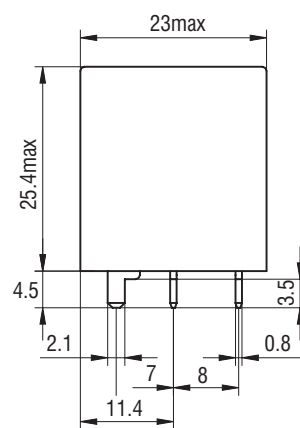
## Outline dimensions(mm)

Wiring diagram and PC Board layout

SRZ

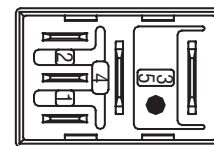
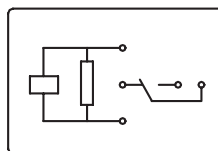


SRZP

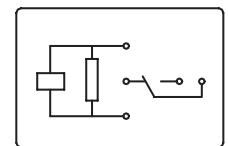


(Bottom View)

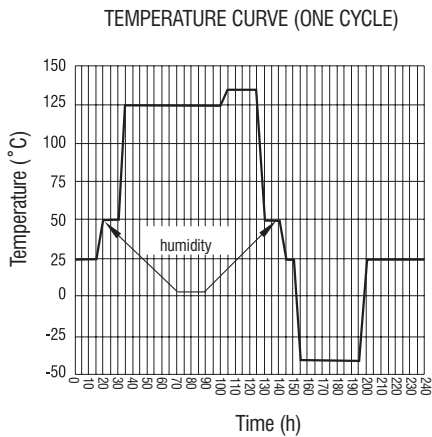
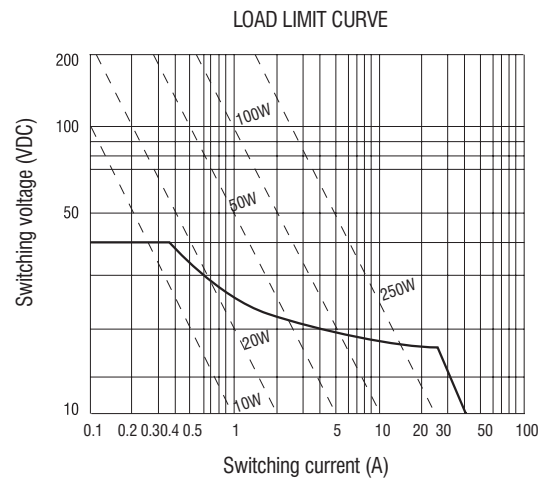
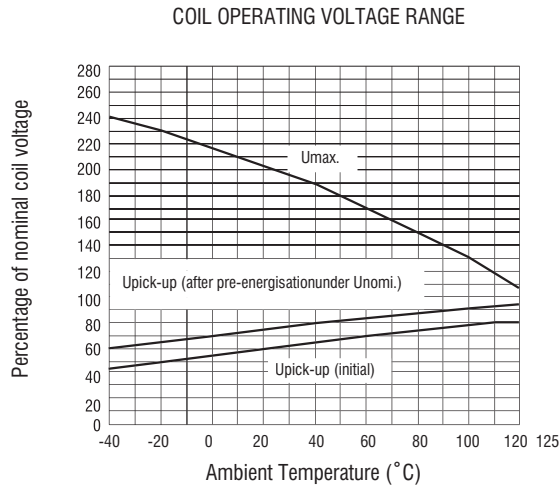
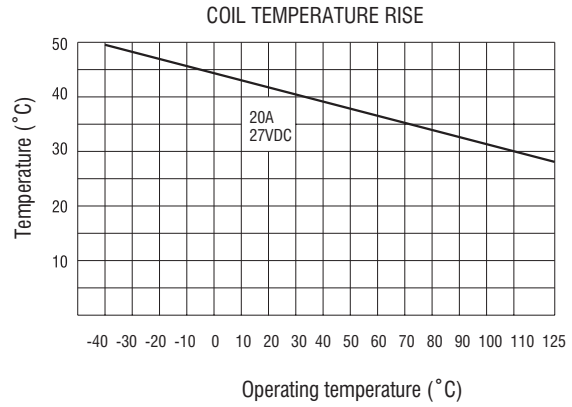
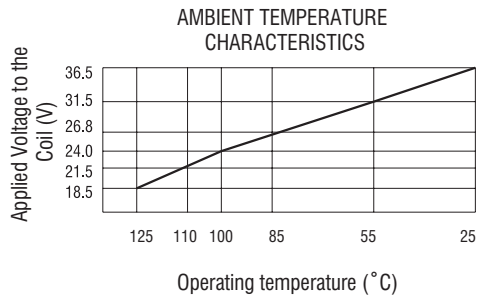
Pin 1 (86) coil  
Pin 2 (85) coil  
Pin 3 (30) common  
Pin 4 (87a) N.C. contact  
Pin 5 (87) N.O. contact



(Bottom View)



## Characteristic Curve



## X-ON Electronics

Largest Supplier of Electrical and Electronic Components

*Click to view similar products for imo manufacturer:*

Other Similar products are found below :

[20.155MV/12-E](#) [MC14N-S-10110AC](#) [MB09-S-10=24](#) [DPS-1-030-24](#) [SRF-1C-SL-12VDC](#) [MB09-S-1024](#) [LDC18RRS](#) [SFSYE0111](#)  
[21.1500M/6-E](#) [20.3304M/2-E](#) [21.910M/5-E](#) [20.95MA/2-E](#) [21.95MHF/2-E](#) [PE69-4032](#) [DPS-1-060-24](#) [CS20A-A2](#) [CS20A-U1](#) [VFC02](#)  
[MSSTC11DA06](#) [20.95MHF/3-E](#) [B3T10](#) [XKL-040-21](#) [20.3304M/4-E](#) [SRDH-1A-SL-24VDC](#) [20.2500M/5-E](#) [21.155MH/12](#) [SRRHN-2CN-](#)  
[SL-12VDC](#) [20.920M/5-E](#) [MC10N-S-10110AC](#) [21.1550MF/8-E](#) [20.910M/6-E](#) [20.95MH/3-E](#) [21.95MV/3](#) [MA05-S-01230AC](#) [SRRHN-2CN-](#)  
[SL-5VDC](#) [LB69-4040](#) [20.3001M/6](#) [21.1500M/3-E](#) [SFSYE0311](#) [21.95MHF/6-E](#) [20.95MV/2-E](#) [20.155MV/4-E](#) [20.155MH/4-E](#) [20.950M/2-E](#)  
[MT5 1-50-FAR](#) [BS3P3REDO](#) [MB12-S-10=24](#) [MA05-S-1024DC](#) [20.155MVF/8-E](#) [20.2500MV/8-E](#)