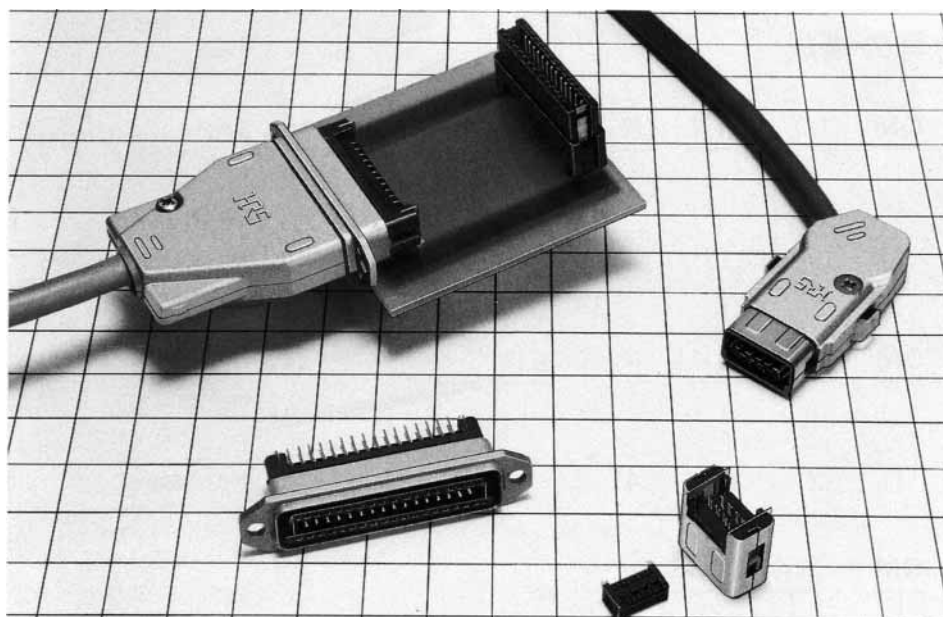


QM (1.78mm-.070") CONNECTORS-"MICRO 70"

General

Designed to fill the needs of high density and miniature interconnection, the QM series are Super-Small IDC Connection. This IDC plug uses I/O Cable <AWG # 30>

with 0.89mm (.035") spacing. This new QM connector design ensures RFI/EMI shielding protection. Available in 8, 14, 26, and 32 way.



Features

- (1) 1.78mm (.070") grid contact position enables high density designs.
- (2) Ribbon construction of contacts provides excellent mechanical strength.
- (3) Capable group IDC termination of 0.89 mm (.035") pitch cable <AWG No.30> to achieve labor saving in connection work.
- (4) The connectors can be grounded to the PCB to isolate EMI/FRI generated from the cable and connector as well as latched to PCB.
- (5) Zinc alloy die-cast shell and Metallic shell reduce the penetration of external EM noise.
- (6) Hood type and with Lock mechanism type are available for Cover shell. One touch lock mechanism assures easy and quick connection.

Applications

Suitable for personal terminals, peripherals and terminals.

Specifications

Item	Specification
Current Rating	0.5A
Voltage	AC100V
Insulation Resistance	100M Ω or more DC100V
Contact Resistance	35m Ω or less DC100mA
Withstanding Voltage	300V for 1 minute

Material and Finish

Item	Material	Finish
Hood	Zinc alloy die-cast	Silver finish
Insulation	PET Resin	Black
Contact	Pin	Beryllium copper
	Socket	Phosphor bronze

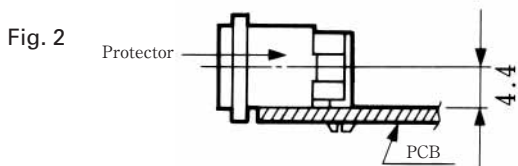
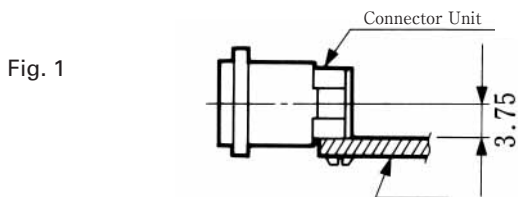
Ordering Information

QM 10 - 14 R (L) - PR ()
 (1) (2) (3) (4) (5) (6) (7)

QM 30 - 14 P - EP ()
 (1) (2) (3) (4) (6) (7)

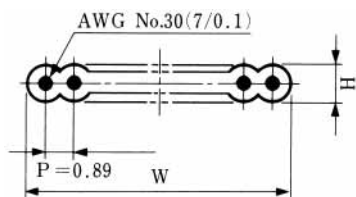
QM 14 - CS ()
 (1) (3) (6) (7)

- (1) Series Number: QM
- (2) Series sign for series
 10: Right Angle P.C. Mount receptacle
 20: Straight P.C. Mount receptacle
 30: IDC Plug
 40: Solder Type
- (3) No. of Pins: 8, 14, 26 and 32 way
- (4) Type of opening
 P: Plug (for Hood cover)
 PA: Plug (for cover with Lock mechanism)
 R: Receptacle
- (5) Type of Shell Latch mounting
 Blank: Connector unit on a level with PCB.
 (see Fig 1)
 L: Protector on a level with PCB
 (see Fig 2)
- (6) Accessories
 CS: Cover case with Lock mechanism
 CV: Hood cover case
 CF: Hood
 PR: Protector
 CF1: Hood
 PR1: Protector (Without mounting hole)
 EP: Ground Plate
 SP: Stopper Plate
- (7) Specification
 (50): RoHS compliant



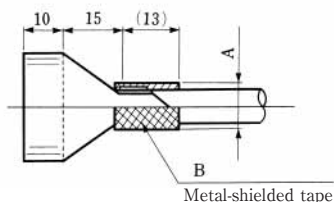
Plug Connector

1. Applicable Cable



Noof Core	Size	Pitch	W	H
8	AWG No.30	0.89	7.12	0.7-0.75 *When Vinyl Chloride is used as Insulator
14	AWG No.30	0.89	12.46	
26	AWG No.30	0.89	23.14	
32	AWG No.30	0.89	28.48	

2. I/O End Finish



Noof pin	A	B
8	4.8	After holding shield braid over cable sheath, wrap metal shielded tape up to about 1.5 circles.
14	5.5	
26	6.8	
32	7.3	

3. Tooling

Noof pin	Part No.	Pressure Block	Guide Plate	Connecting Press
8	QM30-8PA-EP (50)	QM30-**PB CL.902-0037-7	QM30-8GP	HIF Connecting Press HHP-502 CL.550-0082-2
	QM30-8P-EP (50)		CL.902-0075-6	
14	QM30-14PA-EP (50)		QM30-14GP	
	QM30-14P-EP (50)		CL.902-0035-1	
26	QM30-26PA-EP (50)		QM30-26GP	
	QM30-26P-EP (50)		CL.902-0036-4	
32	QM30-32PA-EP (50)	QM30-32GP		
		CL.902-0076-9		

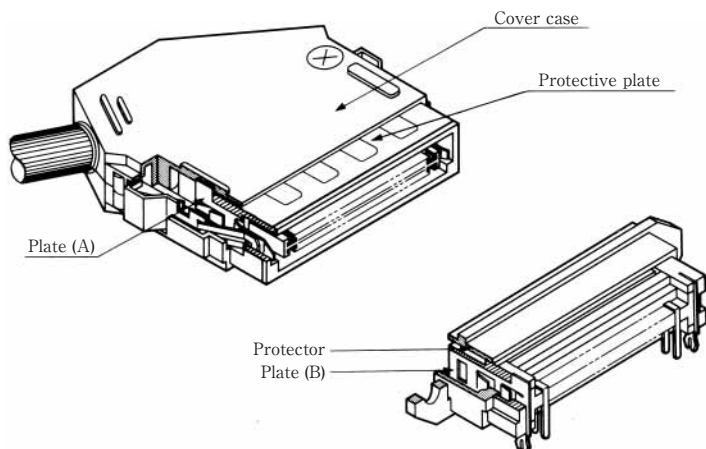
4. How to install Cover case

Please refer to next page.

5. Precaution for Cable End Finish

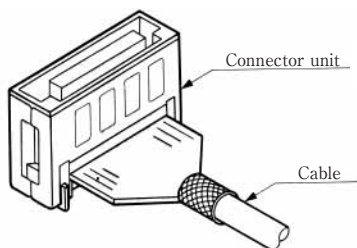
The cover case of QM series is made of zinc alloy die-cast which is effective for EMI shielding protection and the outside of cover case is coated with silver to provide excellent connection. The shield structure for this QM series comprises 5 parts as per figure below, Therefore, I/O End Finish Treatment is essential for EMI shielding protection.

Grounding to PCB can be accomplished through the connection of plates provided on both sides of plug and receptacle.

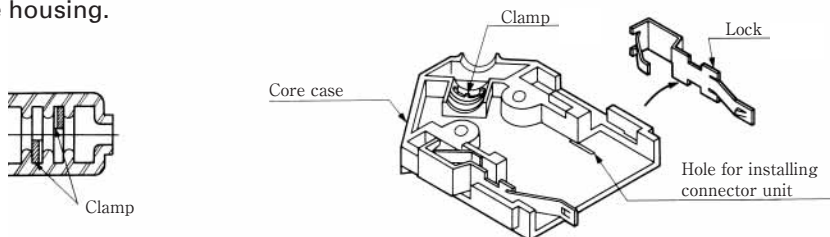


Plug Connector

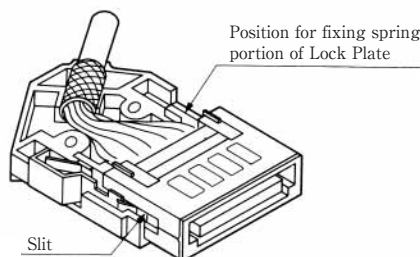
- (1) Use HIROSE Connecting tools, to perform IDC connection to Connector Unit (QM30_*PA-EP).



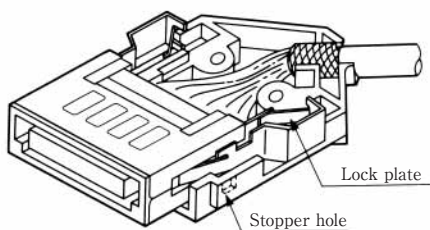
- (2) Take out one side of the lock from the housing. Bend the accompanying clamp into a bow shape and install it on the housing.



- (3) Insert the lock plate into the slit at both sides of Connector Unit.

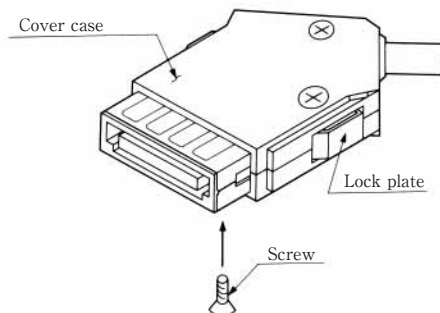


- (4) Insert another lock plate as described above, and fix connector unit into the correct position in the cover case.



- (5) Fix spring portion of lock plate into the correct position.

- (6) Assemble it with attached screw (M25*0.45*6)
(When assembling the cover case, do it by pushing the lock button;
Connector unit be completely installed)



Caution: Be sure to install the cable, connector unit, and lock at the specified positions. Parts installed at improper positions will cause a gap in the housing and damage the connector unit.

QM40-※※P/QM40-※※PA (Solder Plug Connectors)

The solder connectors have been developed for use with thinner cables than the conventional specified cables.

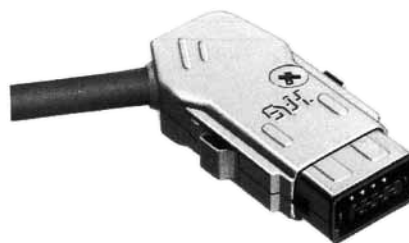
The connectors are basically the same as the QM30. Design the harness by considering the following.

1. Solder wires quickly (15W • 3sec) because the connector housings are made of PET resin (thermoplastic).
2. Be sure to make the diameter cables to the dimensions specified on Page 177.

Connector Setup View



Cover case: QM-*-CV
Connector: QM30-*P-EP(50)

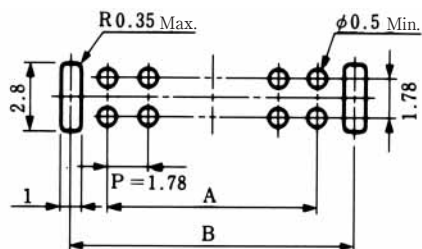


Cover case: QM-*-CS(50)
Connector: QM30-*PA-EP(50)

P.C Mount Receptacle Connector

1. PCB Layout

(mm) Thickness of PCB: 1.6 mm

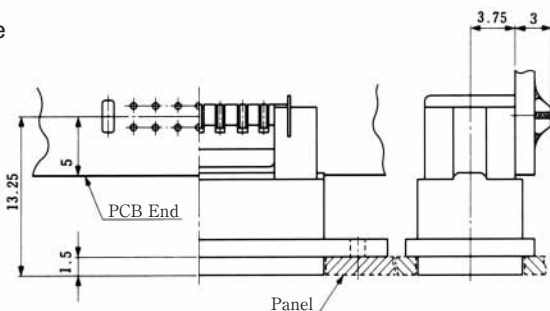


No. of pin	Part No.	A	B
8	QM*-8R	5.34	9.62
14	QM*-14R	10.68	14.96
26	QM*-26R	21.36	25.64
32	QM*-32R	26.70	30.98

2. Mounting Style

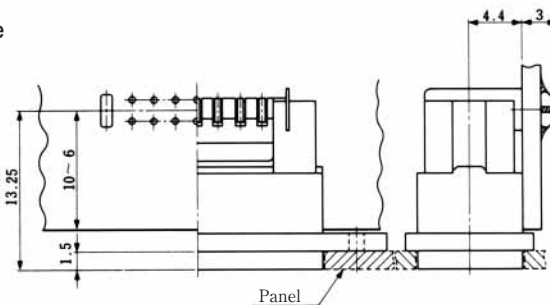
(mm)

A Type



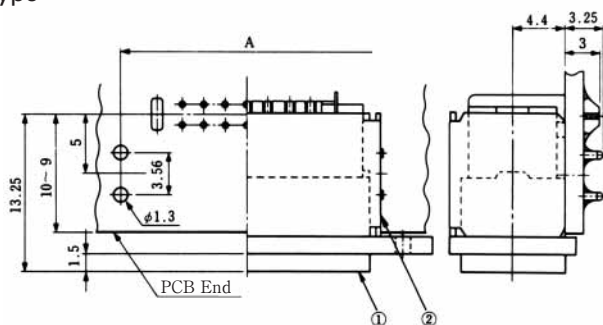
No. of pin	Part No.
8	QM10-8R-PR
14	QM10-14R-PR
26	QM10-26R-PR
32	QM10-32R-PR

B Type



No. of pin	Part No.
8	QM10-8R (L)-PR
32	QM10-32R (L)-PR

C Type

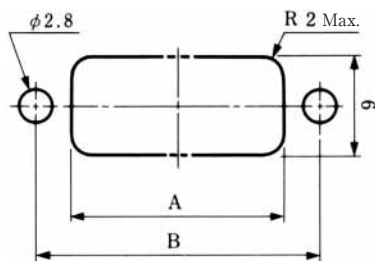


STOPPER PLATE assures strong holding force between connector and PCB against the external forces.

No. of pin	Part No. ①	Part No. ②	A
8	QM10-8R (L)-PR	QM-8-SP1	16.00
14	QM10-14R (L)-PR	QM-14-SP1	21.34
26	QM10-26R (L)-PR	QM-26-SP1	32.02
32	QM10-32R (L)-PR	QM-32-SP	37.36

3. Panel Cutout (mm)

Thickness of PCB: Max. 1.6 mm



No. of pin	Part No.	A	B
8	QM*-8R*-PR*	15.62	21.02
14	QM*-14R*-PR*	20.96	26.36
26	QM*-26R*-PR*	31.64	37.04
32	QM*-32R*-PR*	36.98	42.38

4. Precaution for selection of Cleaning Solvents

Insulation material is PET that has excellent chemical and heat resistance. As for Protector, please refer to table - 1 below for selection of cleaning because of the coating treatment used.

Table-1

	Ultrasonic cleaning ※1	Vapor phase cleaning ※2
Alcohol	○	○

※1: Ultrasonic cleaning : 10 minutes

※2: Vapor cleaning : 3 minutes

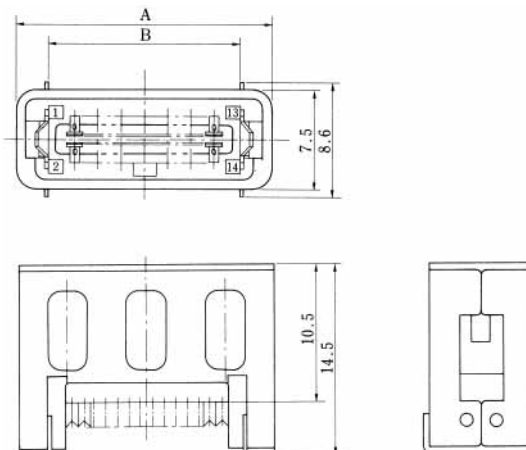
(Repeat of vapor and ultrasonic cleaning (30 sec)).

Δ; For thirty minutes to one hour after washing the connectors, handle PCBs on which the connectors are mounted with special care because the coating surface swells and can be easily flawed.

Plug Connector (for Cover Case with Lock Mechanism)



QM30-14PA-EP (50)



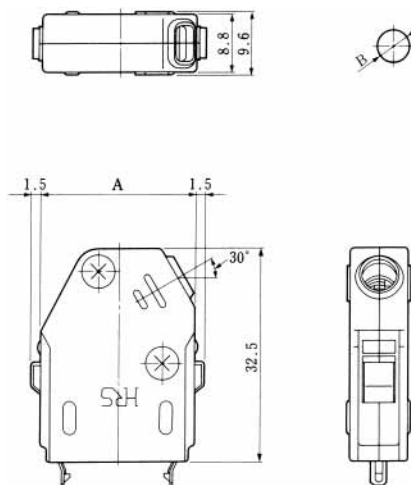
Unit: mm

HRS No.	No. of pin	Part No.	A	B	RoHS
CL226-0061-4-50	8	QM30-8PA-EP (50)	14.12	9.32	YES
CL226-0062-7-50	14	QM30-14PA-EP (50)	19.46	14.66	
CL226-0063-0-50	26	QM30-26PA-EP (50)	30.14	25.34	
CL226-0064-2-50	32	QM30-32PA-EP (50)	35.48	30.68	

30° Cable Exit Cover Case with Lock Mechanism



QM-14-CS (50)



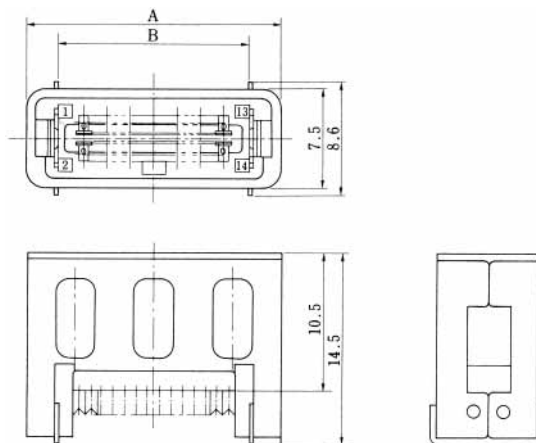
Unit: mm

HRS No.	No. of pin	Part No.	A	B	RoHS
CL226-0057-7-50	8	QM-8-CS (50)	18.02	ø4.8	YES
CL226-0058-0-50	14	QM-14-CS (50)	23.36	ø5.5	
CL226-0059-2-50	26	QM-26-CS (50)	34.04	5.5 × 8.5	
CL226-0060-1-50	32	QM-32-CS (50)	39.38	5.5 × 9.5	

Plug Connector (for Hood Cover Case)



QM30-14P-EP(50)



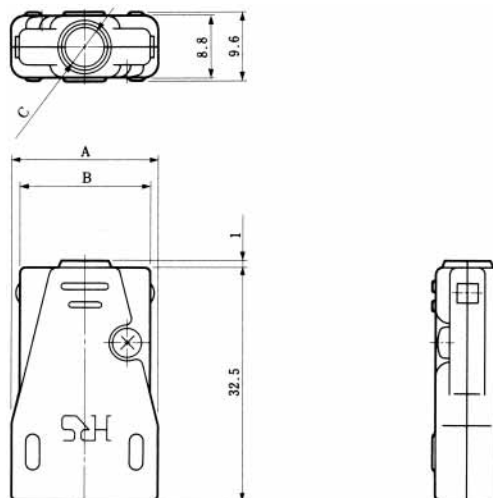
Unit: mm

HRS No.	No. of pin	Part No.	A	B	RoHS
CL226-0039-5-50	8	QM30-8P-EP (50)	14.12	9.32	
CL226-0009-4-50	14	QM30-14P-EP (50)	19.46	14.66	YES
CL226-0010-3-50	26	QM30-26P-EP (50)	30.14	25.34	

Hood Cover Case



QM-14-CV



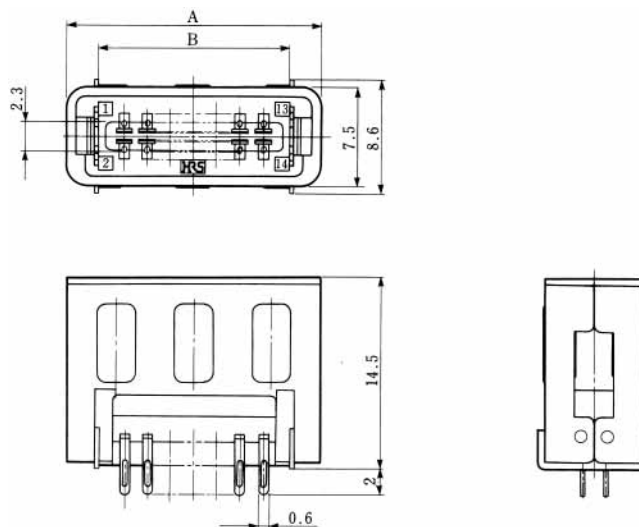
Unit: mm

HRS No.	No. of pin	Part No.	A	B	C	RoHS
CL226-0040-4	8	QM-8-CV	15.42	—	ø4.8	
CL226-0011-6	14	QM-14-CV	20.76	18.5	ø5.5	YES

Soldering Type (for use with a Hood Cover Case)



QM40-14P-EP (50)



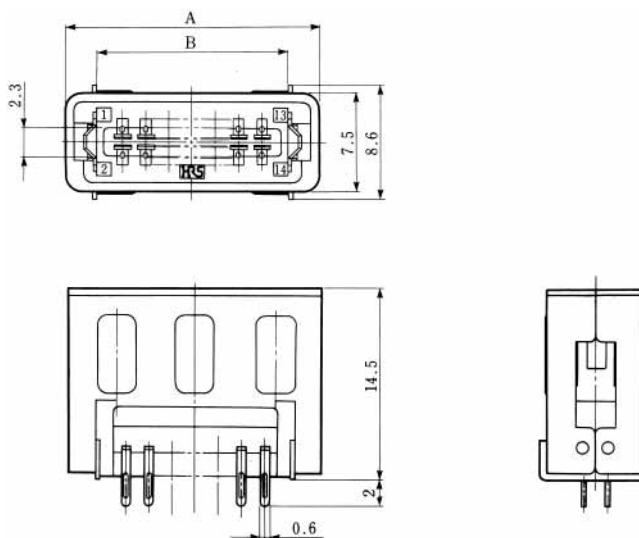
Unit: mm

HRS No.	No. of pin	Part No.	A	B	RoHS
CL226-0072-0-50	8	QM40-8P-EP (50)	14.12	9.32	
CL226-0078-7-50	14	QM40-14P-EP (50)	19.46	14.66	YES
CL226-0079-0-50	26	QM40-26P-EP (50)	30.14	25.34	

Soldering Type (for use with a Cover Case with Lock)



QM40-14PA-EP (50)



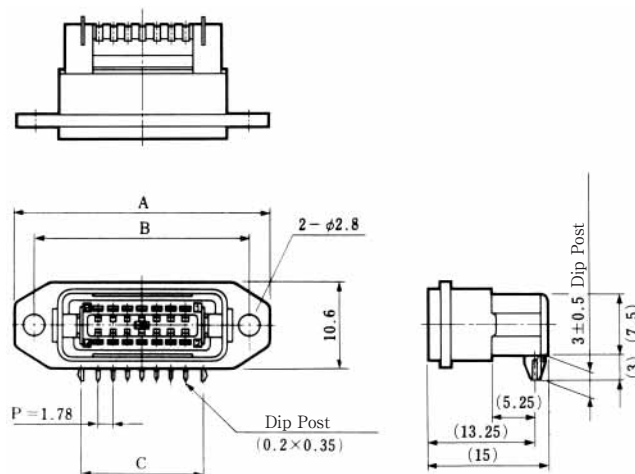
Unit: mm

HRS No.	No. of pin	Part No.	A	B	RoHS
CL226-0083-7-50	8	QM40-8PA-EP (50)	14.12	9.32	
CL226-0076-1-50	14	QM40-14PA-EP (50)	19.46	14.66	YES
CL226-0080-9-50	26	QM40-26PA-EP (50)	30.14	25.34	
CL226-0092-8-50	32	QM40-32PA-EP (50)	35.48	30.68	

Receptacle with Protector (Right Angle P.C. Mount Type)



QM10-14R-PR (52)



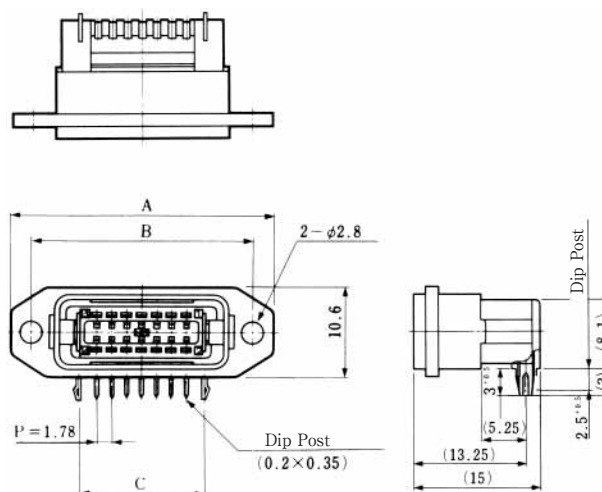
Unit: mm

HRS No.	No. of pin	Part No.	A	B	C	RoHS
CL226-0042-0-52	8	QM10-8R-PR (52)	26.02	21.02	9.62	
CL226-0015-7-52	14	QM10-14R-PR (52)	31.36	26.36	14.96	YES
CL226-0016-0-52	26	QM10-26R-PR (52)	42.04	37.04	25.64	

Receptacle with Protector (Right Angle P.C. Mount (L) Type)



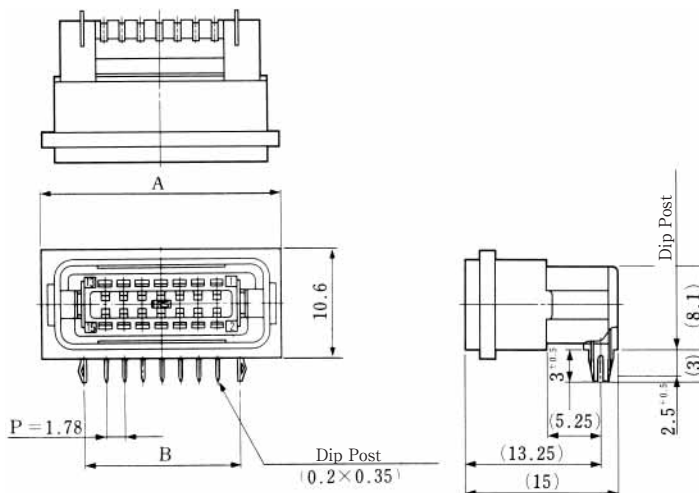
QM10-14R (L)-PR (52)



Unit: mm

HRS No.	No. of pin	Part No.	A	B	C	RoHS
CL226-0044-5-52	8	QM10-8R (L)-PR (52)	26.02	21.02	9.62	
CL226-0019-8-52	14	QM10-14R (L)-PR (52)	31.36	26.36	14.96	
CL226-0020-7-52	26	QM10-26R (L)-PR (52)	42.04	37.04	25.64	YES
CL226-0033-9-52	32	QM10-32R (L)-PR (52)	47.38	42.38	30.98	

Receptacle (without Mounting Hole) with Protector (Right Angle P.C. Mount Type)

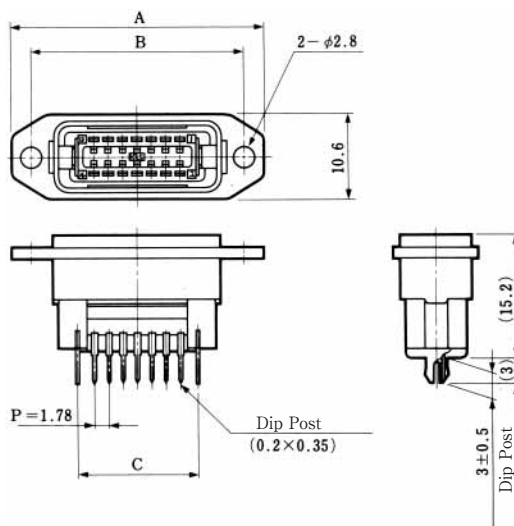
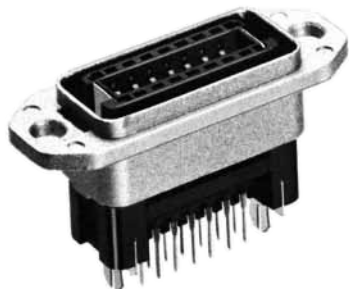


QM10-14R(L)-PR1(50)

Unit: mm

HRS No.	No. of pin	Part No.	A	B	RoHS
CL226-0073-3-50	8	QM10-8R(L)-PR1(50)	17.82	9.62	YES
CL226-0023-3-50	14	QM10-14R(L)-PR1(50)	23.16	14.96	
CL226-0024-8-50	26	QM10-26R(L)-PR1(50)	33.84	25.64	
CL226-0053-6-52	32	QM10-32R(L)-PR1(52)	39.18	30.98	

Receptacle with Protector (Straight Dip Type)



QM20-14R-PR(50)

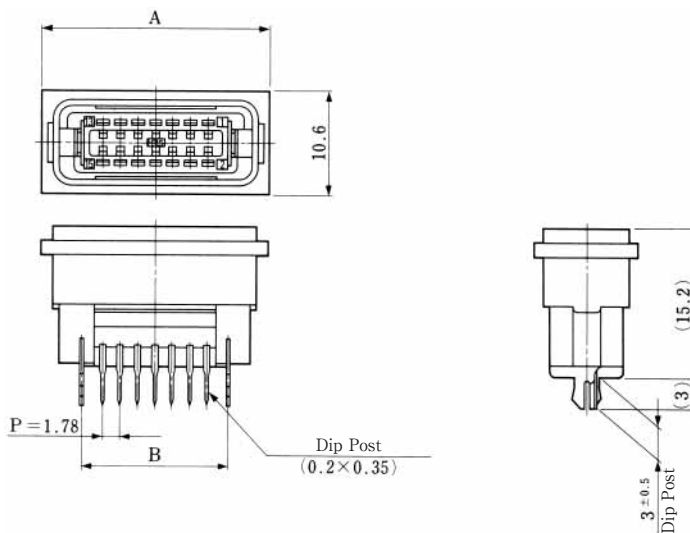
Unit: mm

HRS No.	No. of pin	Part No.	A	B	C	RoHS
CL226-0017-2-50	14	QM20-14R-PR(50)	31.36	26.36	14.96	YES
CL226-0018-5-50	26	QM20-26R-PR(50)	42.04	37.04	25.64	

Receptacle (without Mounting Hole) with Protector (Straight Dip Type)



QM20-14R-PR1(50)



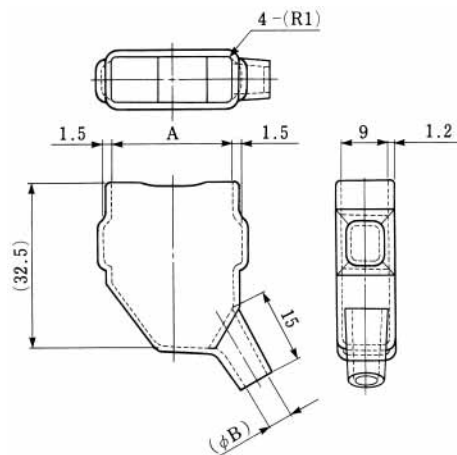
Unit: mm

HRS No.	No. of pin	Part No.	A	B	RoHS
CL226-0054-9-50	14	QM20-14R-PR1 (50)	23.16	14.96	
CL226-0055-1-50	26	QM20-26R-PR1 (50)	33.84	25.64	YES
CL226-0056-4-50	32	QM20-32R-PR1 (50)	39.18	30.98	

Hood (QM-※※-CS)



QM-14-CF



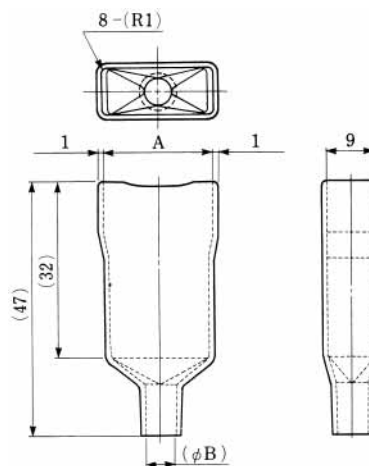
Unit: mm

HRS No.	No. of pin	Part No.	A	B	RoHS
CL226-0086-5	14	QM-14-CF	23.4	5.5	YES

Hood (QM-※※-CV)



QM-8-CF1



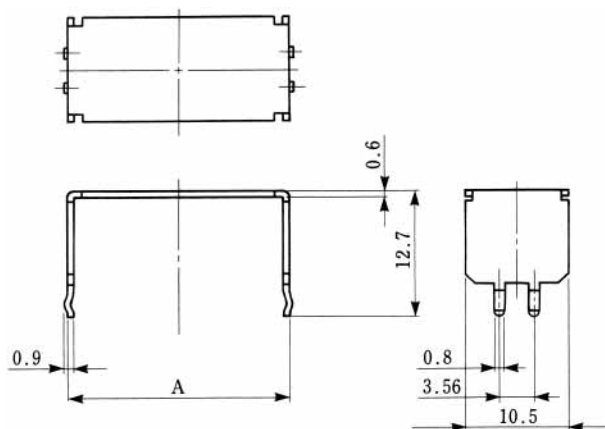
Unit: mm

HRS No.	No. of pin	Part No.	A	B	RoHS
CL226-0091-5	14	QM-14-CF1	21	5.5	YES

Stopper Plate



QM-14-SP1 (50)



Unit: mm

HRS No.	No. of pin	Part No.	A	RoHS
CL226-0100-4-50	8	QM-8-SP1 (50)	17.18	YES
CL226-0101-7-50	14	QM-14-SP1 (50)	22.52	
CL226-0066-8-50	32	QM-32-SP (50)	38.54	

X-ON Electronics

Largest Supplier of Electrical and Electronic Components

Click to view similar products for [Rack & Panel Connectors](#) category:

Click to view products by [Hirose](#) manufacturer:

Other Similar products are found below :

[00170420102](#) [00171410002](#) [00171420202](#) [00171440002](#) [008026165000265](#) [00-8219-072-000-112P44](#) [008219072000112P5](#)
[008219072000112P61](#) [00-8223-096-580-102](#) [02-014-013-5200-000](#) [00-8129-015-610-108](#) [613467-000](#) [CTJ112E01E-513](#) [CTJ116E03A-513](#)
[CTJ720E01B-513 L/C](#) [M81714/63-22S L/C](#) [M81714/65-12-1](#) [66020-2](#) [CW8958-000](#) [699886-000](#) [D250-50632](#) [70.400.3240.0](#) [70.955.2453.3](#)
[733753-000](#) [F22831-000](#) [780-522-DPX34RG8-02](#) [MMA25-0051R1](#) [MMA25-0341D1](#) [8660-501](#) [87.060.0053.0](#) [900709N001](#) [QRP4-12P-](#)
[C\(01\)](#) [QR/P6-6S-C\(01\)](#) [AC-600003-004](#) [1218600-1](#) [D-659-0061](#) [DMC-MD 24 C-T](#) [1-445717-6](#) [1484398-2](#) [1484399-2](#) [1484469-2](#) [MR-](#)
[34MG](#) [1484225-1](#) [1484398-1](#) [1484510-4](#) [1604997-2](#) [1663130-1](#) [1663767-7](#) [1663767-8](#) [MTC100-BF1-P31CS015](#)