

Water-proof Type SPVQ4H Series

Part number	SPVQ4H1200	
Poles	1	
Positions	2	
Changeover timing	Non shorting	
Operation part shape	Actuator	
Terminal type	With wire (Downwards)	
Operating force	3N max.	
Operating temperature range	-40°C to +85°C	
Rating (max.)/(min.) (Resistive load)	0.1A 12V DC/1mA 5V DC	
Electrical performance	Contact resistance (Initial/After operating life)	500mΩ max./1Ω max.
	Insulation resistance	100MΩ min. 500V DC
	Voltage proof	500V AC for 1 minute
Mechanical performance	Wire strength	30N for 1 minute
	Actuator strength	20N
Durability	Operating life without load	300,000 cycles 1Ω max.
	Operating life with load Rating (max.) (Resistive load)	300,000 cycles 1Ω max.
Environmental performance	Cold	-40±2°C for 500h

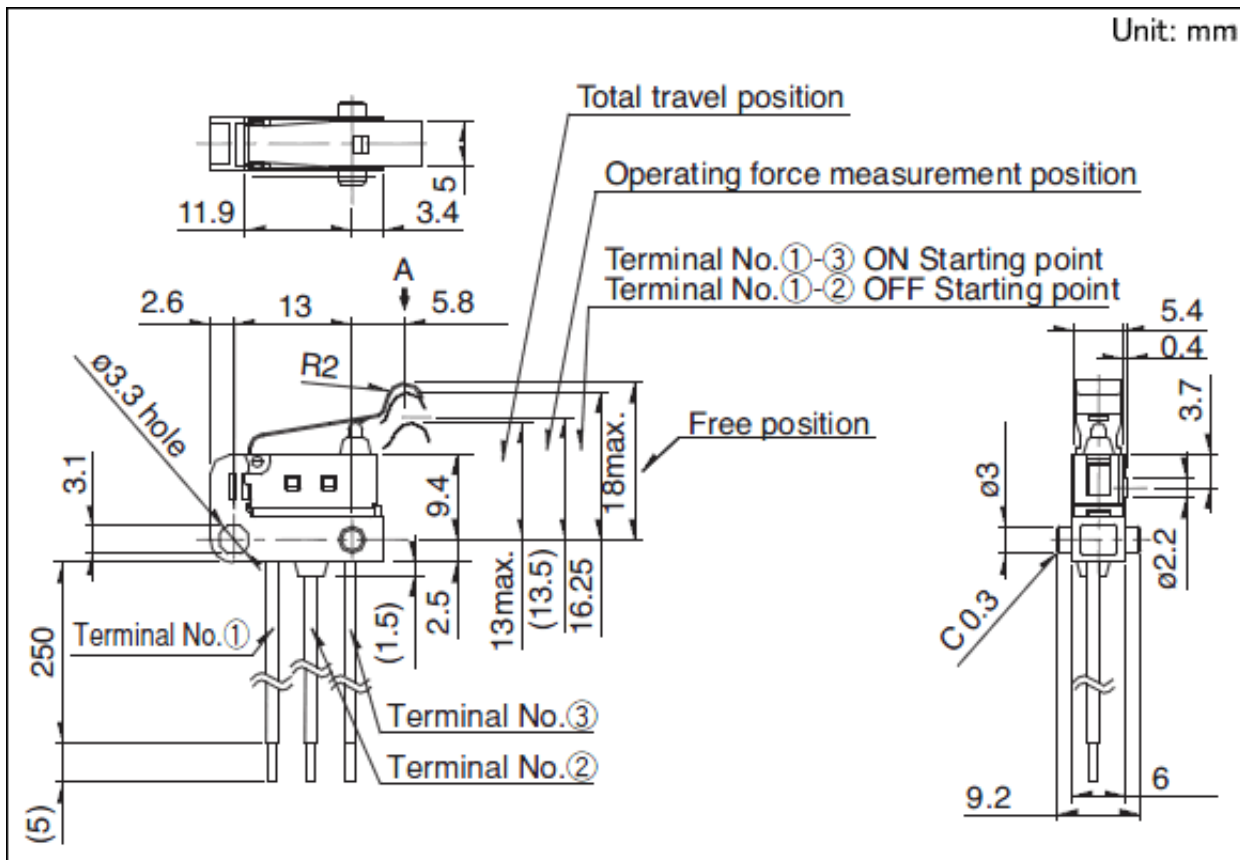
Dry heat 85±2°C for 500h

Damp heat 60±2°C, 90 to 95%RH for 500h

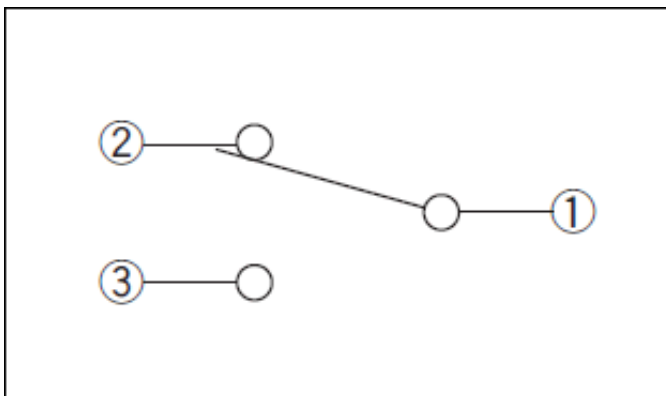
Minimum order unit Japan 180
(pcs.)

Export 720

Dimensions



Circuit Diagram



Packing Specifications

Bulk

Number of packages (pcs.)	1 case / Japan	180
	1 case / export packing	720

Export package measurements (mm) 555×375×223

Notes are common to this series/models.

1. This site catalog shows only outline specifications. When using the products, please obtain formal specifications for supply.
2. This unit cannot be used in water (IP67 rating, except for terminal).
3. The length of lead wire is 250mm . For length modification, please contact us.
4. Please place purchase orders per minimum order unit (integer).
5. This products can be used in vehicles.
Although these products are designed to perform over a wide operating temperature range, please ensure that you receive and read the formal delivery specifications before use.

X-ON Electronics

Largest Supplier of Electrical and Electronic Components

Click to view similar products for [Detector Switches](#) category:

Click to view products by [ALPS](#) manufacturer:

Other Similar products are found below :

[E3S-LS5C4S](#) [ESE-11MH2](#) [21075-6](#) [K2CU-F20A-EGS](#) [ESE-24CMV6T](#) [K2CU-F20A-F AC220](#) [SPVQ850500](#) [D3DM0001E](#) [D3C 1003E](#)
[D3DM0003A](#) [ESE-11MH3](#) [ESE-11MH5T](#) [ESE-13H05A](#) [ESE-13V05B](#) [ESE-13V05C](#) [ESE-13V05D](#) [ESE-18L13A](#) [ESE-18L63A](#) [ESE-](#)
[18LF01](#) [ESE-18RF01](#) [ESE-18RJ01](#) [ESE-20C321](#) [ESE-20C323](#) [ESE-20C443](#) [ESE-20D421](#) [ESE-20D441](#) [ESE-23F001](#) [ESE-23F005](#) [ESE-](#)
[23J001](#) [ESE-23J005](#) [ESE-23J105](#) [ESE-24CSH1](#) [ESE-24CSH6](#) [ESE-24CSV3](#) [ESE-24MV6T](#) [ESE-24SH6](#) [ESE-31R11T](#) [ESE-23F101](#) [ESE-](#)
[20D321](#) [ESE-20C421](#) [ESE-18RJ02](#) [ESE-13V01D](#) [ESE-13V01C](#) [ESE-13H01B](#) [ESE-11MH1T](#) [ESE-11MH2T](#) [ESE-11MV1](#) [ESE-31L11T](#)
[D7A1](#) [D7A2](#)