

## SPTA 1/ 6-3,5

Order No.: 1752146

The illustration shows the 10-position version

<http://eshop.phoenixcontact.net/phoenix/treeViewClick.do?UID=1752146>

PC terminal block, Nominal current: 9 A, Nom. voltage: 160 V, Pitch: 3.5 mm, Number of positions: 6, Type of connection: Spring-cage conn., Assembly: Soldering, Conductor/PCB connection direction: 45 °, Color: green

### Commercial data

|                          |                    |
|--------------------------|--------------------|
| EAN                      | 4046356320993      |
| Pack                     | 50 pcs.            |
| Customs tariff           | 85369010           |
| Weight/Piece             | 0.003038 KG        |
| Catalog page information | Page 105 (CC-2009) |

### Product notes

WEEE/RoHS-compliant since:  
10/02/2007

<http://www.download.phoenixcontact.com>  
Please note that the data given here has been taken from the online catalog. For comprehensive information and data, please refer to the user documentation. The General Terms and Conditions of Use apply to Internet downloads.

### Technical data

#### Dimensions / positions

|             |         |
|-------------|---------|
| Length      | 10 mm   |
| Pitch       | 3.5 mm  |
| Dimension a | 17.5 mm |

|                     |              |
|---------------------|--------------|
| Number of positions | 6            |
| Pin dimensions      | 0,6 x 1,0 mm |
| Pin spacing         | 3.5 mm       |
| Hole diameter       | 1.1 mm       |

**Technical data**

|                                    |                   |
|------------------------------------|-------------------|
| Insulating material group          | I                 |
| Rated surge voltage (III/3)        | 2.5 kV            |
| Rated surge voltage (III/2)        | 2.5 kV            |
| Rated surge voltage (II/2)         | 2.5 kV            |
| Rated voltage (III/2)              | 200 V             |
| Rated voltage (II/2)               | 400 V             |
| Connection in acc. with standard   | EN-VDE            |
| Nominal current $I_N$              | 9 A               |
| Nominal voltage $U_N$              | 160 V             |
| Nominal cross section              | 1 mm <sup>2</sup> |
| Maximum load current               | 9 A               |
| Insulating material                | PA                |
| Inflammability class acc. to UL 94 | V0                |
| Stripping length                   | 8 mm              |

**Connection data**

|  |                      |
|--|----------------------|
| Conductor cross section solid min.   | 0.2 mm <sup>2</sup>  |
| Conductor cross section solid max.   | 1.5 mm <sup>2</sup>  |
| Conductor cross section stranded min.                                      | 0.2 mm <sup>2</sup>  |
| Conductor cross section stranded max.                                      | 1 mm <sup>2</sup>    |
| Conductor cross section stranded, with ferrule without plastic sleeve min. | 0.25 mm <sup>2</sup> |
| Conductor cross section stranded, with ferrule without plastic sleeve max. | 0.75 mm <sup>2</sup> |
| Conductor cross section stranded, with ferrule with plastic sleeve min.    | 0.25 mm <sup>2</sup> |
| Conductor cross section stranded, with ferrule with plastic sleeve max.    | 0.75 mm <sup>2</sup> |
| Conductor cross section AWG/kcmil min.                                     | 24                   |
| Conductor cross section AWG/kcmil max                                      | 16                   |

**Certificates / Approvals**



Certification CUL, UL

**CUL**

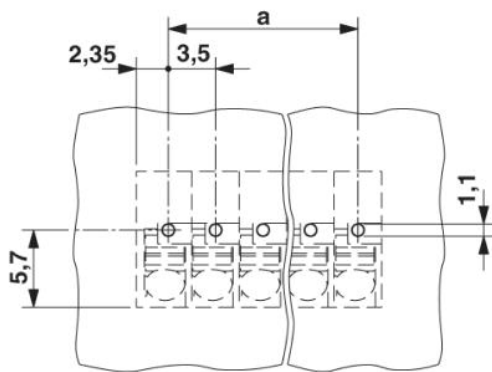
|                       |       |
|-----------------------|-------|
| Nominal voltage $U_N$ | 300 V |
| Nominal current $I_N$ | 10 A  |
| AWG/kcmil             | 26-16 |

**UL**

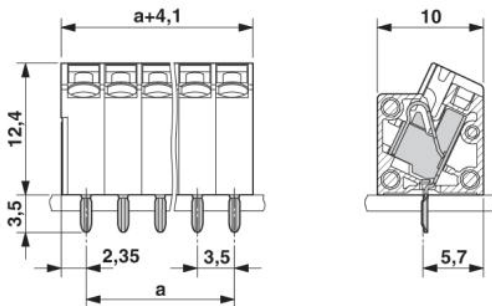
|                       |       |
|-----------------------|-------|
| Nominal voltage $U_N$ | 300 V |
| Nominal current $I_N$ | 10 A  |
| AWG/kcmil             | 26-16 |

**Diagrams/Drawings**

Drilling plan/solder pad geometry



Dimensioned drawing



**Address**

PHOENIX CONTACT GmbH & Co. KG  
Flachmarktstr. 8  
32825 Blomberg, Germany  
Phone +49 5235 3 00  
Fax +49 5235 3 41200  
<http://www.phoenixcontact.com>



© 2010 Phoenix Contact  
Technical modifications reserved;

## X-ON Electronics

Largest Supplier of Electrical and Electronic Components

*Click to view similar products for [phoenix contact manufacturer](#):*

Other Similar products are found below :

[1203259](#) [3240366](#) [1893300](#) [2800744](#) [2867076](#) [3006564](#) [2800741](#) [5146480](#) [1582539](#) [1623633](#) [1507793](#) [3025587](#) [3069708](#) [1582223](#)  
[1431461](#) [1586976](#) [0311647](#) [1460160](#) [1771338](#) [3048387](#) [2814605](#) [0309086](#) [1513716](#) [3035684](#) [5451417](#) [0202219](#) [1647747](#) [1730667](#)  
[1709267](#) [5449018](#) [0311634](#) [1730696](#) [3034057](#) [0311579](#) [1730683](#) [0719032](#) [5449843](#) [3240098](#) [0311566](#) [0201391](#) [CRIMPFOX 16 S](#)  
[CRIMPFOX 25R](#) [CRIMPSET 25](#) [7001438](#) [ETD-BL-1T-F-300S](#) [MCR-1CLP-I-I-00](#) [MCR-4CLP-I-I-00](#) [MCR-DAC 8-I- 4-BUS](#) [FL EPA](#)  
[WMS](#) [FLK 50/EZ-DR/ 400/KONFEK/S](#)