

DISCLAIMER:
 ALL STATEMENTS AND TECHNICAL INFORMATION CONTAINED
 HEREIN ARE BASED UPON INFORMATION AND/OR TESTS WE
 BELIEVE TO BE ACCURATE AND RELIABLE. SINCE
 CONDITIONS OF USE ARE BEYOND OUR CONTROL, THE
 USER SHALL DETERMINE THE SUITABILITY OF THE PRODUCT
 FOR THE INTENDED USE AND ASSUME ALL RISK AND
 LIABILITY WHATSOEVER IN CONNECTION THEREWITH.

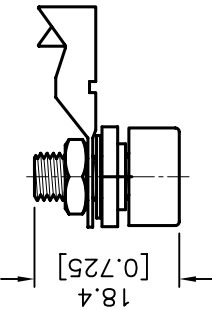
TOLERANCES:
 Unless Otherwise Specified
 .X ±0.2 [0.008]
 .XX ±0.12 [0.005]

DRAWN BY:	EKLA ODISH
DATE:	05/23/06
CHECKED BY:	THOMAS LEE
DATE:	06/07/06
APPROVED BY:	HISHAM ODISH
DATE:	06/07/06

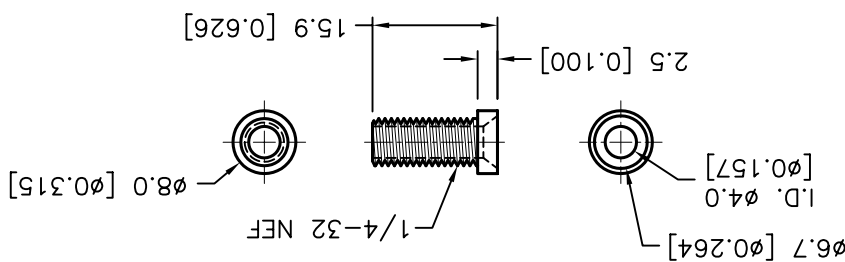
DRAWING TITLE: INSULATED BANANA JACK		SCALE: NTS	U.O.M.: mm [INCHES]	SHEET: 1 OF 1
SIZE	DWG. NO.	TA-759		
A	TA-759.DWG	ELECTRONIC FILE		
REV	B			

SPC TYPE No.	COLOR
SPC15188	RED
SPC15206	BLACK

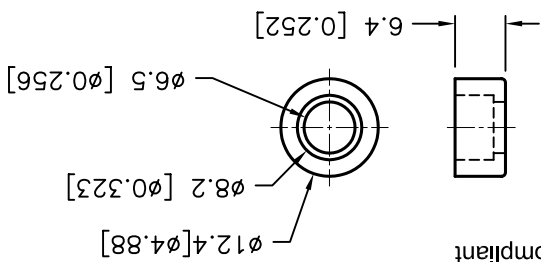
ASSEMBLY



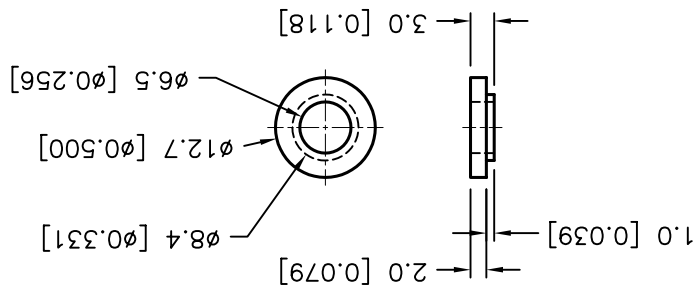
THREADED BODY



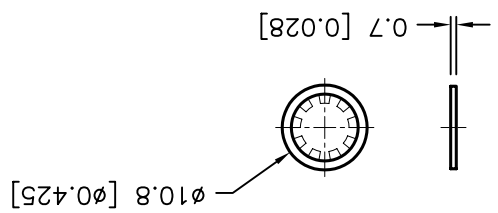
INSULATED HEAD



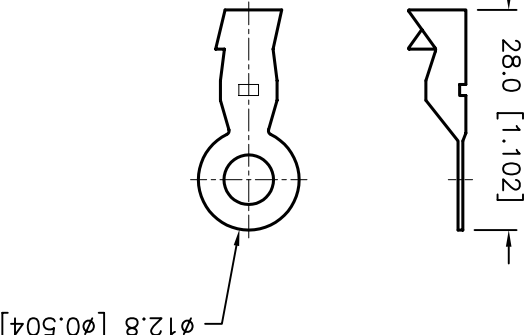
INSULATED WASHER



LOCK WASHER



CRIMP LUG



SPECIFICATIONS:

1. Threaded Body: Brass, Nickel-Plated
2. Insulated Head: ABS (Max. Heat Deflection Temperature: 89°C)
3. Insulated Washer: ABS
4. Lock Washer: Steel, Nickel-Plated
5. Crimp Lug: Brass, Nickel-Plated
6. Nut: Brass, Nickel-Plated
7. Max Ratings: 1KVAC @ 15A



ALL RIGHTS RESERVED. NO PORTION OF THIS PUBLICATION,
 WHETHER IN WHOLE OR IN PART, CAN BE REPRODUCED,
 WITHOUT THE EXPRESS WRITTEN CONSENT OF SPC
 TECHNOLOGY.
 SPC-F005.DWG

DCP #	REV	DESCRIPTION	DRAWN	DATE	CHECKD	DATE	APPRVD	DATE
1876	A	RELEASED	EO	05/23/06	TL	06/07/06	HO	06/07/06
1921	B	Update Specification	YA	8/7/06	HO	8/7/06	HO	8/7/06

REVISIONS

DOC. NO. SPC-F005 * Effective: 7/8/02 * DCP No.: 1398

X-ON Electronics

Largest Supplier of Electrical and Electronic Components

Click to view similar products for [Test Plugs & Test Jacks](#) category:

Click to view products by [Tenma](#) manufacturer:

Other Similar products are found below :

[579-0400](#) [66000-7](#) [R644543000](#) [R921923000](#) [R921930000](#) [R941344000](#) [R948161000](#) [R999351000](#) [1408-4](#) [1533-1](#) [174-R825B-EX](#)
[NYS508-BU](#) [1680](#) [174-R819B-EX](#) [R644543003](#) [R644543004](#) [R644543020](#) [R644543021](#) [R921926000](#) [R921931000](#) [R921932000](#)
[R921934000](#) [R929991000](#) [R941460000](#) [R941461000](#) [R941463600](#) [R941920600](#) [R948160000](#) [31B-2-RED](#) [032-0016-023](#) [105-1106-001](#)
[108-1000-106](#) [108-2301-621](#) [66001-9](#) [7013](#) [1395080-1](#) [930166100](#) [NYS508-GR](#) [NYS508-W](#) [NYS508-Y](#) [NYS511-R](#) [BP30-2BR10-B PKG](#)
[BP30-10-WT](#) [BP30-2BR-B PKG](#) [BP30Y-1 PKG](#) [R941049000](#) [R941340000](#) [R948141029](#) [R921922000](#) [R644543022](#)