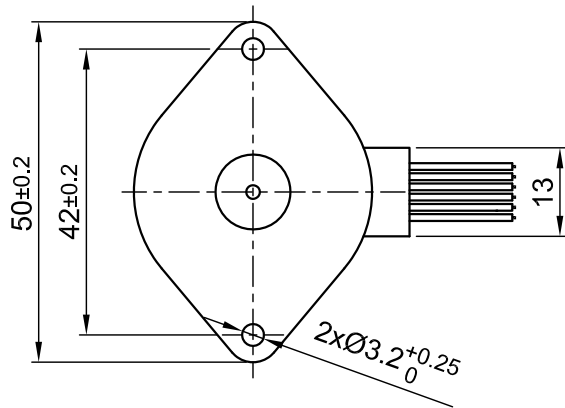
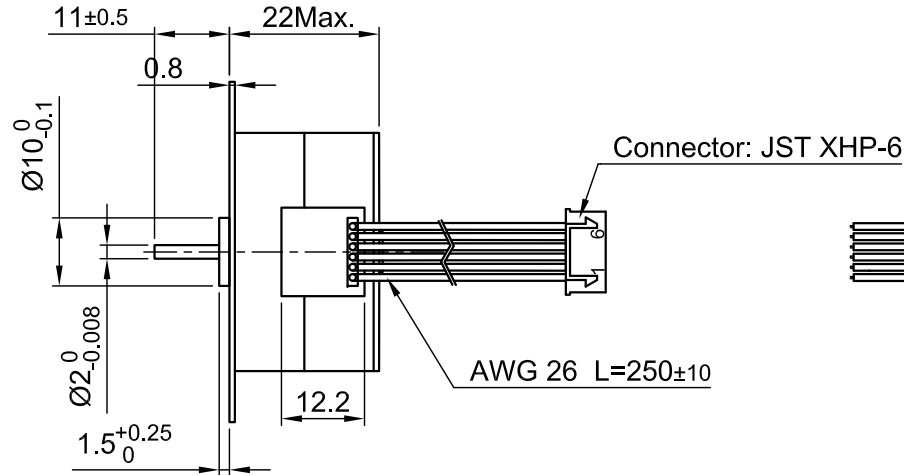


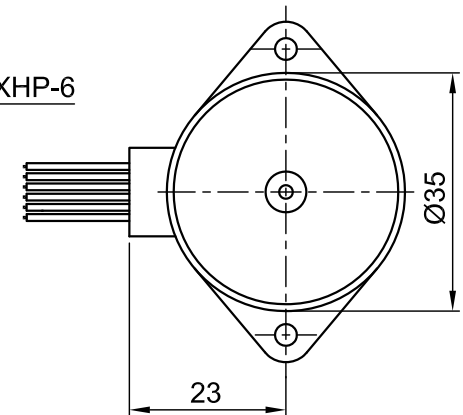
Front view and mounting



Side view

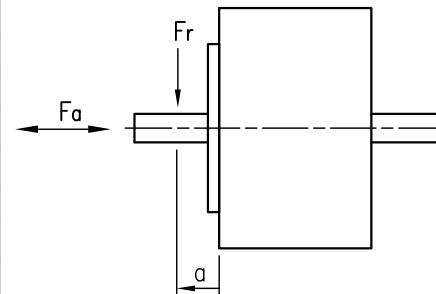


Rear view



SPECIFICATION	CONNECTION	
	UNIPOLAR OR BIPOLAR-1 WINDING	BIPOLAR SERIAL
VOLTAGE (VDC)	5.0	7.0
AMPS/PHASE	0.86	△ 0.61
RESISTANCE/PHASE (Ohms)@25°C	5.8±10%	△ 11.6±10%
INDUCTANCE/PHASE (mH) @1KHz/△	3.2±20%	12.8±20%
HOLDING TORQUE (Nm) [lb-in]	0.055 [0.487]	△ 0.078 [0.689]
DETENT TORQUE (Nm) [lb-in]	1.25x10 ⁻² [0.111]	
STEP ANGLE (°)	7.5	
STEP ACCURACY (NON-ACCUM)	±7%	
ROTOR INERTIA (Kg-m ²) [lb-in ²]	7.5x10 ⁻⁷ [1.71x10 ⁻³]	
WEIGHT (Kg) [lb]	0.09 [0.198]	

PERMISSIBLE RADIAL+AXIAL FORCE



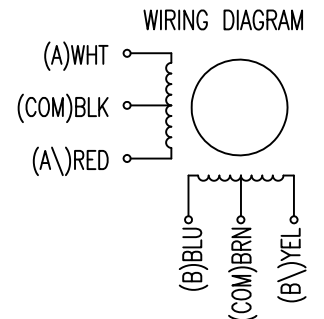
TEMPERATURE RISE: MAX.80°C (MOTOR STANDSTILL; FOR 2 PHASE ENERGIZED)	AXIAL-FORCE Fa (N)		Fa=1.5	
AMBIENT TEMPERATURE -10~ 40°C [14°F ~ 104°F] △	DISTANCE a (mm)		1/2 SCHAFTLENGTH	
INSULATION RESISTANCE 100 MOhm (UNDER NORMAL TEMPERATURE AND HUMIDITY)	RADIAL-FORCE Fr (N)		Fr=3.0	
INSULATION CLASS E 120° [248°F] △			AXIAL	RADIAL
DIELECTRIC STRENGTH 500VAC FOR 1 MIN. (BETWEEN THE MOTOR COILS AND THE MOTOR CASE)	SHAFT PLAY (mm)		0.08	0.06
AMBIENT HUMIDITY MAX. 85% (NO CONDENSATION)	AT LOAD MAX: (N)		4.5	4.5

TYPE OF CONNECTION (EXTERN)			MOTOR		
UNIPOLAR	BIPOLAR		CONNECTOR PIN NO.	LEADS	WINDING
	1WINDING	SERIAL			
A ---	A ---	A ---	1	WHT	A
COM ---	COM ---	---	5	BLK	COM
A\ ---	---	A\ ---	3	RED	A\
B ---	B ---	B ---	2	BLU	B
COM ---	COM ---	---	6	BRN	COM
B\ ---	---	B\ ---	4	YEL	B\

for >speed ←
for <speed ←

FULL STEP 2 PHASE-Ex.,
WHEN FACING MOUNTING END (X)

STEP	A	B	A\	B\	CCW
1	+	+	-	-	↑
2	-	+	+	-	
3	-	-	+	+	↓
4	+	-	-	+	



3	DRAWING UPDATED	22.02.10	J.W.
2	AMPS/PHASE	28.08.08	J.W.
1	VALUE	28.06.07	J.W.
REV	DESCRIPTION	DATE	APVD



SP3575M0906-A

SCALE FREE	APVD	S.Ha.	12.03.07
X ±0.5	CHKD		
1PL ±0.2	DRN	J.W.	23.11.06
2PL ±0.1	SIGNATURE		DATE
ANGLE ±30'			

STEPPING MOTOR

DWG.NO

SP3575M0906-A

X-ON Electronics

Largest Supplier of Electrical and Electronic Components

Click to view similar products for [nanotec](#) manufacturer:

Other Similar products are found below :

[LSNUT-T6X2-F](#) [STF2818X0504-A](#) [SP2575M0206-A](#) [C5-01](#) [DB59C024035-A](#) [SP1518M0204-A](#) [ST6018L3008-A](#) [ZKRS485-USB](#)
[SP3575M0906-A](#) [ST2818S1006-B](#) [ST4118L1804-A](#) [SMCI35](#)