



Photoelectric sensors
W8, Photoelectric proximity sensor, Background
suppression

WTB8-P2231



Model Name > [WTB8-P2231](#)
Part No. > [6033209](#)



Illustration may differ

At a glance

- Background suppression
- Standard miniature housing with M3 threaded mounting holes
- Light/dark switching selectable via rotary switch

Your benefits

- Reliable detection of objects regardless of color or surface qualities
- Background suppression provides a high level of precision and repeatability
- Highly visible light spot simplifies alignment
- M3 mounting holes ensure quick installation



Features

Sensor/detection principle:	Photoelectric proximity sensor, Background suppression
Dimensions (W x H x D):	11 mm x 31 mm x 20 mm
Housing design (light emission):	Rectangular, Slim
Sensing range max.:	30 mm ... 300 mm ¹⁾
Sensing range:	40 mm ... 300 mm
Type of light:	Visible red light
Light source:	LED ²⁾
Wave length:	650 nm
Alarm output:	-
Focus adjustable:	-
Adjustment:	Potentiometer, 4-turn
Light spot size (distance):	Ø 20 mm (300 mm)

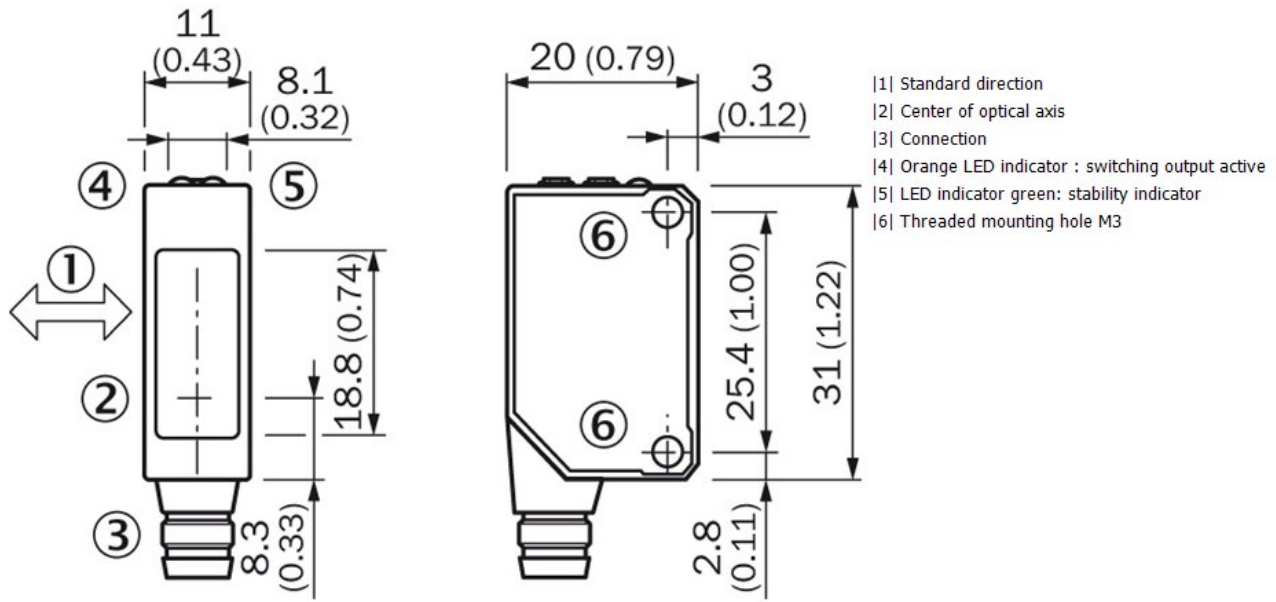
¹⁾ Object with 90 % reflectance (referred to standard white DIN 5033) ²⁾ Average service life of 100,000 h at T_A = +25 °C

Mechanics/electronics

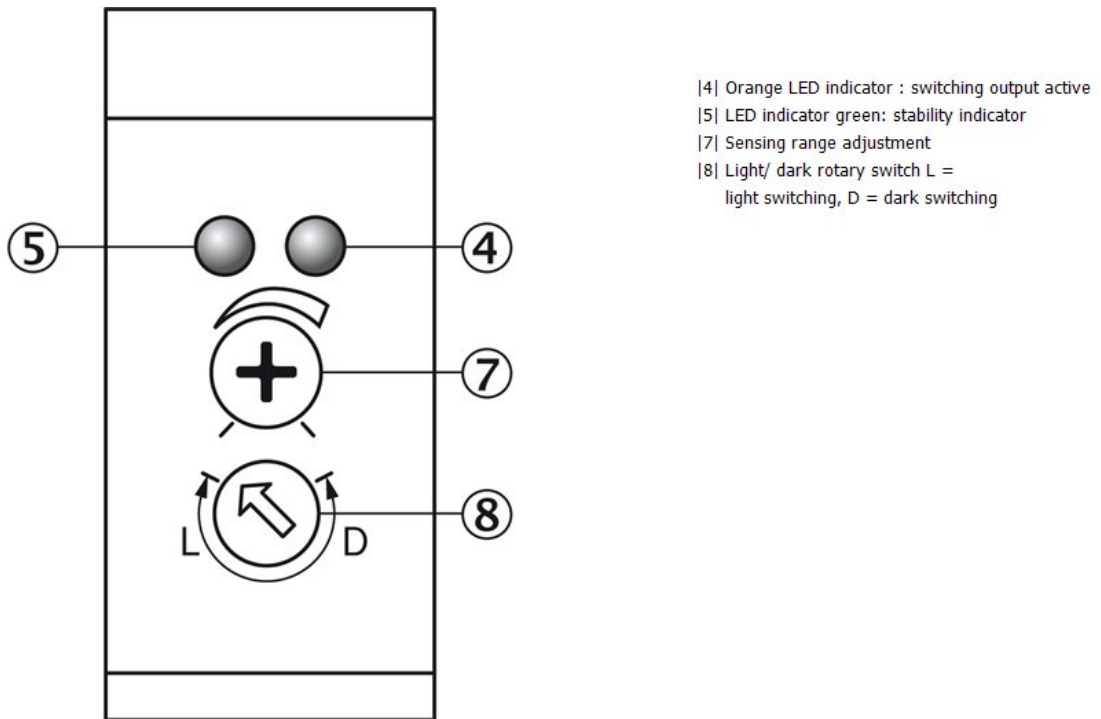
Supply voltage:	10 V DC ... 30 V DC ¹⁾
Ripple:	± 10 % ²⁾
Power consumption:	≤ 30 mA ³⁾
Switching output:	PNP
Switching output:	Light/dark-switching
Output characteristic:	Open collector
Switching mode selector:	Manually selectable
Signal voltage PNP HIGH/LOW:	Approx. $V_S - 1.8 \text{ V} / 0 \text{ V}$
Output current $I_{max.}$:	100
Response time:	≤ 0.5 ms ⁴⁾
Switching frequency:	1,000 ⁵⁾
Connection type:	Connector M8, 4-pin
Circuit protection:::	A, B, D ^{6) 7) 8)}
Weight:	10 g
Polarisation filter:	-
Front screen heating:	-
AS-Interface-Chip:	-
Housing material:	ABS, Plastic
Optics material:	PMMA
Enclosure rating:	IP 67
Items supplied:	Stainless steel mounting bracket (1.4301/304) BEF-W100-A
Ambient operating temperature:	-25 °C ... 55 °C
Ambient storage temperature:	-40 °C ... 70 °C

¹⁾ Limit values, operation in short-circuit protected network max. 8 A ²⁾ May not exceed or fall short of V_S tolerances ³⁾ Without load ⁴⁾ Signal transit time with resistive load ⁵⁾ With light/dark ratio 1:1 ⁶⁾ A = V_S connections reverse-polarity protected ⁷⁾ B = inputs and output reverse-polarity protected ⁸⁾ D = outputs overcurrent and short-circuit protected

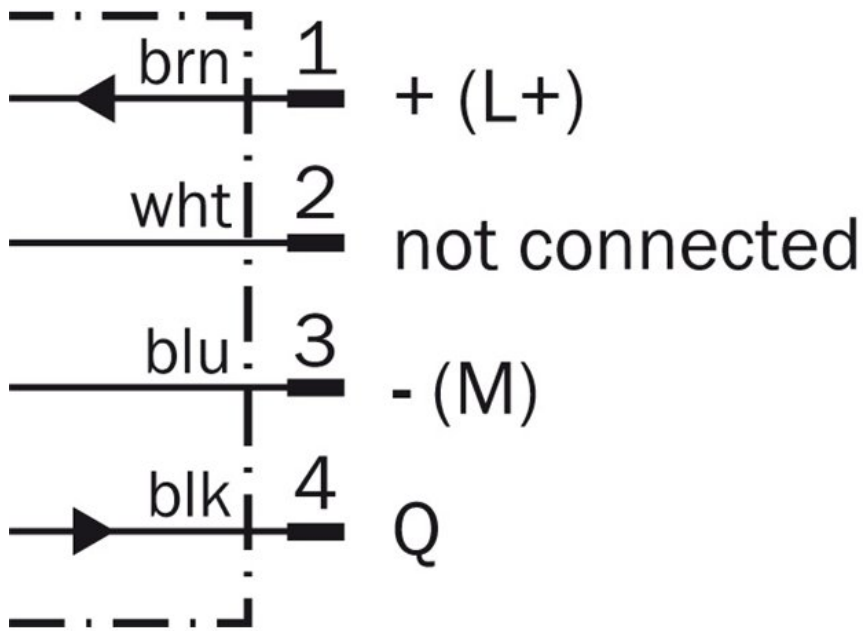
Dimensional drawing



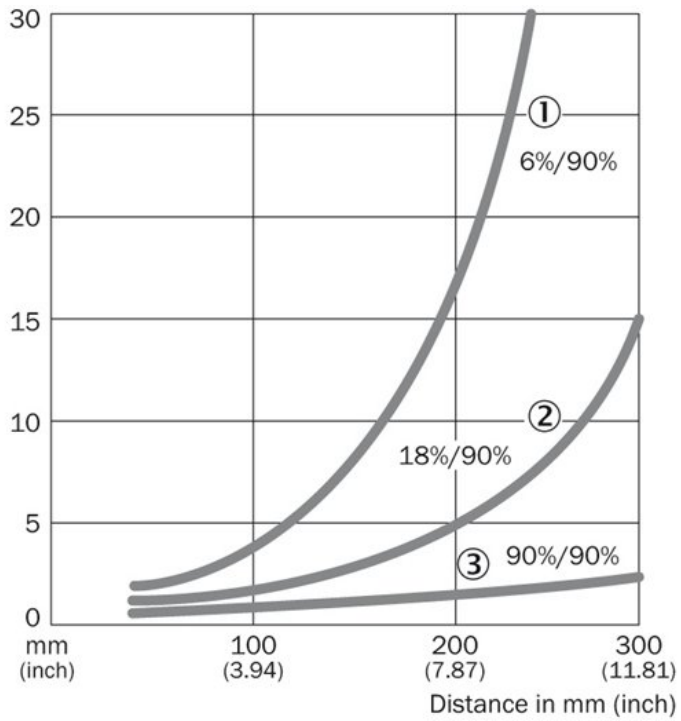
Adjustments possible



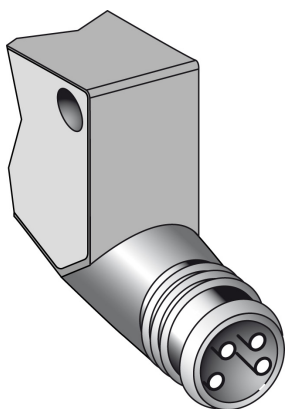
Connection diagram



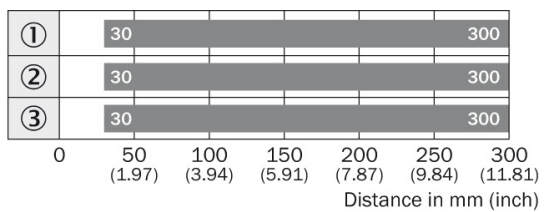
Characteristic curve



Connection type



Sensing range diagram



■ Sensing range

- ① Sensing range on black, 6 % remission
- ② Sensing range on gray, 18 % remission
- ③ Sensing range on white, 90 % remission

Australia

Phone +61 3 9457 0600
1800 334 802 – tollfree
E-Mail sales@sick.com.au

Belgium/Luxembourg

Phone +32 (0)2 466 55 66
E-Mail info@sick.be

Brasil

Phone +55 11 3215-4900
E-Mail sac@sick.com.br

Canada

Phone +1(952) 941-6780
1 800-325-7425 – tollfree
E-Mail info@sickusa.com

Ceská Republika

Phone +420 2 57 91 18 50
E-Mail sick@sick.cz

China

Phone +86 4000 121 000
E-Mail info.china@sick.net.cn
Phone +852-2153 6300
E-Mail ghk@sick.com.hk

Danmark

Phone +45 45 82 64 00
E-Mail sick@sick.dk

Deutschland

Phone +49 211 5301-301
E-Mail kundenservice@sick.de

España

Phone +34 93 480 31 00
E-Mail info@sick.es

France

Phone +33 1 64 62 35 00
E-Mail info@sick.fr

Great Britain

Phone +44 (0)1727 831121
E-Mail info@sick.co.uk

India

Phone +91-22-4033 8333
E-Mail info@sick-india.com

Israel

Phone +972-4-6801000
E-Mail info@sick-sensors.com

Italia

Phone +39 02 27 43 41
E-Mail info@sick.it

Japan

Phone +81 (0)3 3358 1341
E-Mail support@sick.jp

Magyarország

Phone +36 1 371 2680
E-Mail office@sick.hu

Nederlands

Phone +31 (0)30 229 25 44
E-Mail info@sick.nl

Norge

Phone +47 67 81 50 00
E-Mail austefjord@sick.no

Österreich

Phone +43 (0)22 36 62 28 8-0
E-Mail office@sick.at

Polska

Phone +48 22 837 40 50
E-Mail info@sick.pl

România

Phone +40 356 171 120
E-Mail office@sick.ro

Russia

Phone +7-495-775-05-30
E-Mail info@sick.ru

Schweiz

Phone +41 41 619 29 39
E-Mail contact@sick.ch

Singapore

Phone +65 6744 3732
E-Mail admin@sicksgp.com.sg

Slovenija

Phone +386 (0)1-47 69 990
E-Mail office@sick.si

South Africa

Phone +27 11 472 3733
E-Mail info@sickautomation.co.za

South Korea

Phone +82 2 786 6321/4
E-Mail info@sickkorea.net

Suomi

Phone +358-9-25 15 800
E-Mail sick@sick.fi

Sverige

Phone +46 10 110 10 00
E-Mail info@sick.se

Taiwan

Phone +886-2-2375-6288
E-Mail sales@sick.com.tw

Türkiye

Phone +90 (216) 528 50 00
E-Mail info@sick.com.tr

United Arab Emirates

Phone +971 (0) 4 8865 878
E-Mail info@sick.ae

USA/México

Phone +1(952) 941-6780
1 800-325-7425 – tollfree
E-Mail info@sickusa.com

More representatives and agencies
at www.sick.com

X-ON Electronics

Largest Supplier of Electrical and Electronic Components

Click to view similar products for [sick manufacturer](#):

Other Similar products are found below :

[6-020-768](#) [PL20A](#) [GRL18-P2437](#) [GRSE18-P2422](#) [IM05-0B8NS-ZT1](#) [IM08-02BPS-ZWK](#) [IM08-1B5PS-ZT1](#) [IME18-05BPSZW2K](#) [IME18-12NPSZC0K](#) [KT6W-2P5116](#) [GRSE18-P2447](#) [GRTE18-P2412](#) [GRTE18-P2442](#) [IM30-15NPS-ZW1](#) [IME12-04NPSZW2K](#) [IME12-08NPSZW2S](#) [KTM-MB31111P](#) [VTE18-4N2212](#) [VTE18-4P8740](#) [LL3-TB01](#) [MZT8-28VPS-KP0](#) [WL11-2P2430](#) [WLL180T-P434](#) [WL260-R270](#) [VTF18-4P1612](#) [VTF-18-4N1240](#) [VL180-2P42436](#) [WTE280-2P1131](#) [WTE11-2P2432](#) [CM30-25NNP-EC1](#) [CM18-08BNP-EW1](#) [CM18-08BPP-EW1](#) [CM18-12NNP-EC1](#) [CM18-12NPP-EW1](#) [CM30-16BPP-EC1](#) [CM30-25NPP-EW1](#) [E100-A2A22C05A](#) [GRL18-P1137](#) [KUP-0608-S](#) [KUP-0610-F](#) [MM12-60APS-ZUK](#) [DFS60B-S1PA10000](#) [GRL18-P1132](#) [WL150-P430](#) [WSE11-2N2430](#) [WSE4-3P2230](#) [WL2SG-2F3235](#) [IQ40-40NPPKC0K](#) [IQ40-20BPPKC0K](#) [IMB30-20NPPVC0S](#)