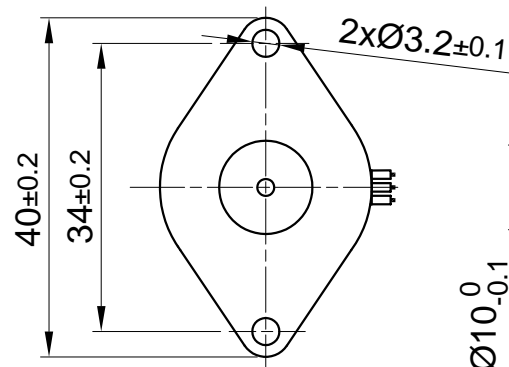
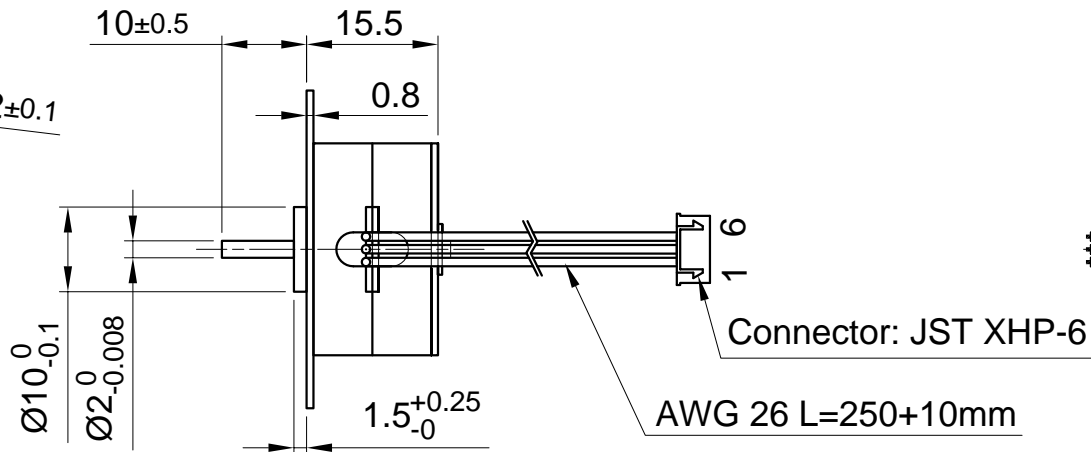


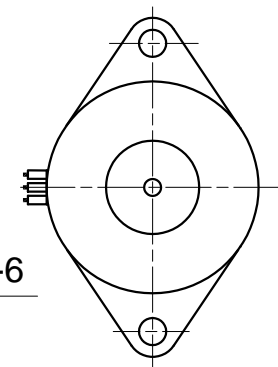
Front view and mounting



Side view

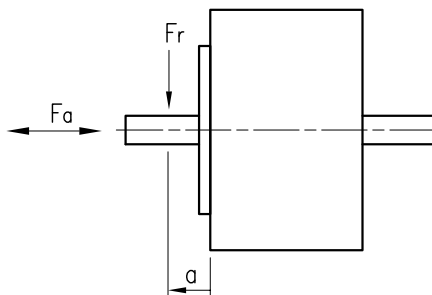


Rear view



SPECIFICATION	UNIPOLAR OR BIPOLAR-1 WINDING	BIPOLAR SERIAL
VOLTAGE (VDC)	12	17
AMPS/PHASE	0.24	0.17
RESISTANCE/PHASE (Ohms)@25°C	50±10%	100±10%
INDUCTANCE/PHASE (mH) @1KHz	16±20%	64±20%
HOLDING TORQUE (Nm) [lb-in]	0.016 [0.142]	0.023 [0.2]
DETENT TORQUE (Nm) [lb-in]	4.0x10 <sup>-3</sup> [0.035]	
STEP ANGLE (°)	7.5	
STEP ACCURACY (NON-ACCUM)	±8%	
ROTOR INERTIA (Kg-m <sup>2</sup> ) [lb-in <sup>2</sup> ]	1x10 <sup>-7</sup> [3.416x10 <sup>-4</sup> ]	
WEIGHT (Kg) [lb]	0.036 [0.079]	

PERMISSIBLE RADIAL+AXIAL FORCE



TEMPERATURE RISE: MAX.80°C (MOTOR STANDSTILL; FOR 2 PHASE ENERGIZED)	AXIAL-FORCE Fa (N)	Fr=3.0
AMBIENT TEMPERATURE -20~ 50°C [-4°F ~ 122°F]	DISTANCE a (mm)	1/2 SCHAFTLENGTH
INSULATION RESISTANCE 100 MOhm (UNDER NORMAL TEMPERATURE AND HUMIDITY)	AXIAL RADIAL	
INSULATION CLASS B 130° [266°F]	SHAFT PLAY (mm)	0.08 0.06
DIELECTRIC STRENGTH 500VAC FOR 1 MIN. (BETWEEN THE MOTOR COILS AND THE MOTOR CASE)	AT LOAD MAX: (N)	4.5 4.5
AMBIENT HUMIDITY MAX. 85% (NO CONDENSATION)		

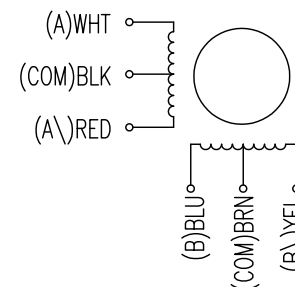
UNIPOLAR	TYPE OF CONNECTION (EXTERN)		MOTOR		
	1WINDING	SERIAL	CONNECTOR PIN NO.	LEADS	WINDING
A ---	A ---	A ---	1	WHT	A
COM ---	COM ---	COM ---	5	BLK	COM
A\ ---	A\ ---	A\ ---	3	RED	A\
B ---	B ---	B ---	2	BLU	B
COM ---	COM ---	COM ---	6	BRN	COM
B\ ---	B\ ---	B\ ---	4	YEL	B\

for >speed ←  
for <speed ←

FULL STEP 2 PHASE-Ex.,  
WHEN FACING MOUNTING END (X)

STEP	A	B	A\	B\	CCW	CW
1	+	+	-	-	↓	↑
2	-	+	+	-	↓	↑
3	-	-	+	+	↓	↑
4	+	-	-	+	↓	↑

WIRING DIAGRAM



REV	DESCRIPTION	DATE	APVD

NANOTEC:  
SP2575M0206-A

SCALE FREE	APVD	S.Hα.	12.03.07
X ±0.5	CHKD		
1PL ±0.2	DRN	J.W.	08.11.06
2PL ±0.1	SIGNATURE	DATE	
ANGLE ±30'			

STEPPING MOTOR

DWG.NO

SP2575M0206-A

## **X-ON Electronics**

Largest Supplier of Electrical and Electronic Components

*Click to view similar products for [nanotec](#) manufacturer:*

Other Similar products are found below :

[LSNUT-T6X2-F](#) [STF2818X0504-A](#) [SP2575M0206-A](#) [C5-01](#) [DB59C024035-A](#) [SP1518M0204-A](#) [ST6018L3008-A](#) [ZKRS485-USB](#)  
[SP3575M0906-A](#) [ST2818S1006-B](#) [ST4118L1804-A](#) [SMCI35](#)