

Visual Signals XENON

BEACONS

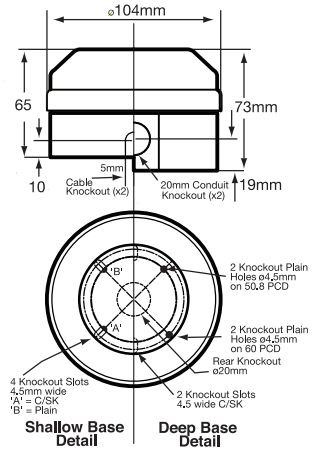


Industrial Xenon Beacons > X195 Series

Product overview

The X195 Series utilises a discharge capacitor and converter circuit to ignite xenon gas inside a tube, resulting in a brilliant flash of light. Xenon gas ignites virtually instantaneously so maximum brightness is obtained immediately. Xenons

have an added advantage of low current consumption combined with a reasonable life span. Xenon beacons are one of the most efficient, effective and brightest visual signals available. The X195 series offers shallow base and deep base options - the deep base version having side entry as well as bottom entry. Synchronized version available.



Features

Continuously rated

Suitable for surface or wall mounting

Suitable for use with conduit BESA box

M20 side entry [deep base only] or bottom cable entry

IP65

Material

UV Stable Polycarbonate Lens
ABS Plastic Base



Code No:	Voltage:	Light Source:	Current:
X195-02WH-SB	15-28v Ac/Dc ~	Xenon 5.0J	310 mA
X195-02WH	15-28v Ac/Dc ~	Xenon 5.0J	310mA
X195-05WH-SB	180-250v Ac ~	Xenon 5.0J	110 mA
X195-05WH	180-250v Ac ~	Xenon 5.0J	110mA

Kg 0.25

50 Hz

°C -25+45

IP 65

FPM 60

FIRE

APPROVAL AND CONFORMITIES



ADD THE FOLLOWING LENS CODES TO THE PRODUCT CODE WHEN ORDERING

01

02

03

04

05

INDUSTRIAL

X-ON Electronics

Largest Supplier of Electrical and Electronic Components

Click to view similar products for [moflash signalling manufacturer](#):

Other Similar products are found below :

[FF200-87](#) [AP360M](#) [LED100-01-01](#) [LED100-01-02](#) [LEDA100-01-04](#) [LEDD100-01-02](#) [LEDD100-01-04](#) [LEDD100-02-01](#) [LEDS100-02-04](#)
[LEDS100-05-04](#) [FF400-87](#) [LED80-04-04](#) [LEDA100-02-04](#) [AE20M-115FA](#) [AE30M-FT-01](#) [AE20M-24FA](#) [A8BM-24DC](#) [LEDD100-02-04](#)
[50004](#) [50066](#) [50067](#) [LED80-04-03](#) [LEDD100-05-04](#) [LEDS100-01-04](#) [X195-02WH-01](#) [LED100-03-02](#) [LEDA100-03-01](#) [RA200-25](#)
[AE36M-02](#) [LED80-04-02](#) [LEDA100-02-01](#) [FF201-85](#) [LEDA100-01-01](#) [X195-02WH-02](#) [X80-04-01](#) [A6BM-24DC](#) [LED100-02-04](#)
[LED100-05-02](#) [LED100-05-04](#) [LEDA100-01-02](#) [LEDD100-05-01](#) [LEDS100-02-02](#) [LED80-02-04](#) [LEDD100-05-02](#) [LED100-02-02](#)
[LED80-02-02](#) [LEDS100-02-01](#) [LED100-02-01](#) [LED80-02-03](#) [LEDA100-02-02](#)