



Primær

Produktsortiment	Harmony XB4
Produkttype	Head til pilot lys
Kompatibilitet	Integral LED
Enhedens korte navn	ZB4
Frontringsmateriale	Chromium plated metal
Montagediameter	22 mm
Salg pr udeleg antal	1
Shape af signaling enhed hoved	Rund
Cap/operator eller lens farve	Hvid
Yderligere operatøroplysning	With grooved lens
Miljøbestemte kendetegn	High ambient lighting environment

Alternativ

Bredde	29 mm
Højde	29 mm
Dybde	30 mm
Vægt	0.026 kg
Modstand mod højtryksrensning	7000000 Pa ved 55 °C, distance: 0.1 m
Elektrisk composition kode	P1 i forfra montage med integral LED P2 i forfra montage med integral LED og transformer

Miljø

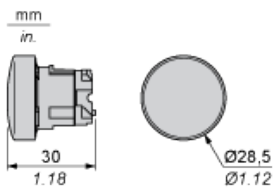
beskyttelsesbehandling	TH
optimal temperatur til opbevaring	-40...70 °C
anbefalede temperatur ved drift	-25...70 °C
klasse af beskyttelse against electric shock	Klasse I overholder IEC 60536
IP kapslingsklasse	IP66 overholder IEC 60529
NEMA kapslingsklasse	NEMA 13 NEMA 4X
IP kapslingsklasse	IK05 overholder IEC 50102
standarder	EN/IEC 60947-1 EN/IEC 60947-5-1 EN/IEC 60947-5-4 EN/IEC 60947-5-5 JIS C 4520 UL 508 CSA C22.2 No 14
vibrationsmodstand	5 gn (f = 2...500 Hz) overholder IEC 60068-2-6
chokmodstand	30 gn (varighed = 18 ms) til halv sine wave acceleration overholder IEC 60068-2-27 50 gn (varighed = 11 ms) til halv sine wave acceleration overholder IEC 60068-2-27

Contractual warranty

Warranty period	18 months
-----------------	-----------

Dimensions

Oplysningerne i denne dokumentation indeholder generelle beskrivelser og/eller tekniske egenskaber af udførelsen af produktene indeholdt heri. Denne dokumentation er ikke tænkt som en erstatning for, og skal ikke anvendes til bestemmelse af egnethed eller pålidelighed af disse produkter til specifikke brugerapplikationer. Det er brugers eller integrators pligt at foretage den nødvendige risikooranalyse, evaluering og afprøvning af produkter med hensyn til den relevante specifikke anvendelse eller brug heraf. Hverken Schneider Electric Industries SAS, nogle af dets associerede selskaber eller datterselskaber er ansvarlig eller erstatningspligtig for misbrug af oplysningerne heri.

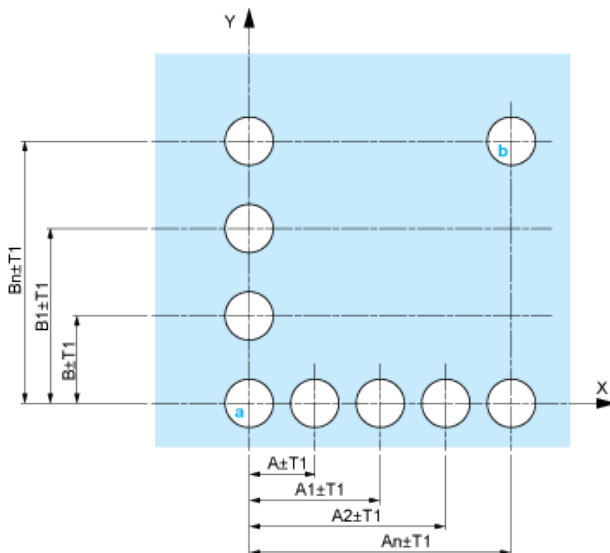


Panel Cut-out for Pushbuttons, Switches and Pilot Lights (Finished Holes, Ready for Installation)

Connection by Screw Clamp Terminals or Plug-in Connectors or on Printed Circuit Board	Connection by Faston Connectors
<p>(1) Diameter on finished panel or support</p> <p>(2) 40 mm min. / 1.57 in. min.</p> <p>(3) 30 mm min. / 1.18 in. min.</p> <p>(4) Ø 22.5 mm / 0.89 in. recommended (Ø 22.3 mm₀^{+0.4} / 0.88 in. ₀^{+0.016})</p> <p>(5) 45 mm min. / 1.78 in. min.</p> <p>(6) 32 mm min. / 1.26 in. min.</p>	

Pushbuttons, Switches and Pilot Lights for Printed Circuit Board Connection

Panel Cut-outs (Viewed from Installer's Side)

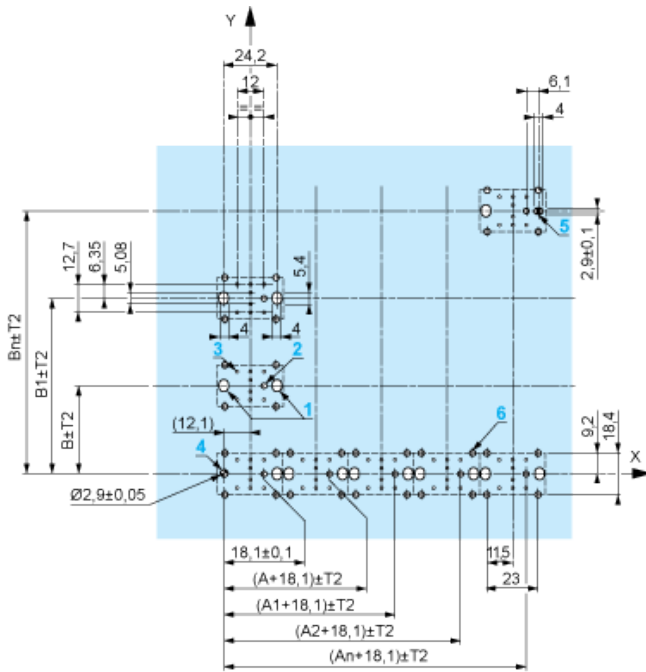


A: 30 mm min. / 1.18 in. min.

B: 40 mm min. / 1.57 in. min.

Printed Circuit Board Cut-outs (Viewed from Electrical Block Side)

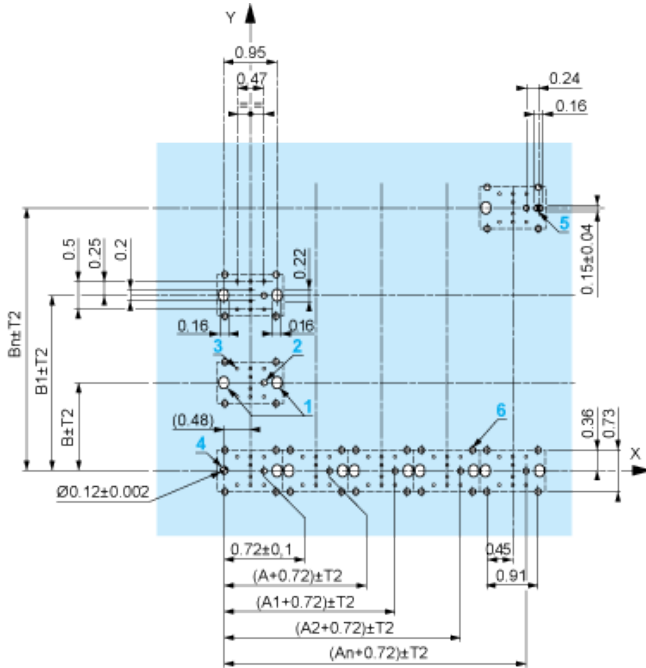
Dimensions in mm



A: 30 mm min.

B: 40 mm min.

Dimensions in in.



A: 1.18 in. min.

B: 1.57 in. min.

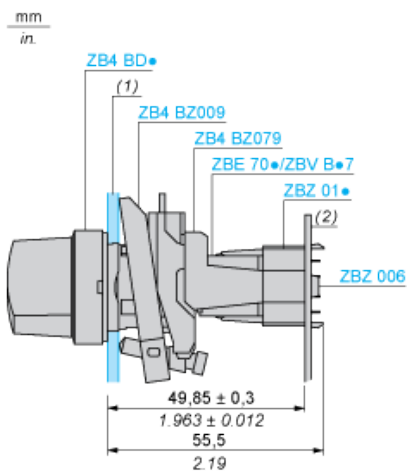
General Tolerances of the Panel and Printed Circuit Board

The cumulative tolerance must not exceed 0.3 mm / 0.012 in: $T1 + T2 = 0.3 \text{ mm max.}$

Installation Precautions

- Minimum thickness of circuit board: 1.6 mm / 0.06 in.
- Cut-out diameter: 22.4 mm \pm 0.1 / 0.88 in. \pm 0.004
- Orientation of body/fixing collar ZB4 BZ009: $\pm 2^\circ 30'$ (excluding cut-outs marked **a** and **b**).
- Tightening torque of screws ZBZ 006: 0.6 N.m (5.3 lbf.in) max.
- Allow for one ZB4 BZ079 fixing collar/pillar and its fixing screws:
 - every 90 mm / 3.54 in. horizontally (X), and 120 mm / 4.72 in. vertically (Y).
 - with each selector switch head (ZB4 BD•, ZB4 BJ•, ZB4 BG•).

The fixing centers marked **a** and **b** are diagonally opposed and must align with those marked **4** and **5**.



- (1) Panel
(2) Printed circuit board

Mounting of Adapter (Socket) ZBZ 01•

- 1 2 elongated holes for ZBZ 006 screw access
- 2 1 hole $\varnothing 2.4 \text{ mm} \pm 0.05 / 0.09 \text{ in.} \pm 0.002$ for centring adapter ZBZ 01•
- 3 8 × $\varnothing 1.2 \text{ mm} / 0.05 \text{ in.}$ holes
- 4 1 hole $\varnothing 2.9 \text{ mm} \pm 0.05 / 0.11 \text{ in.} \pm 0.002$, for aligning the printed circuit board (with cut-out marked **a**)
- 5 1 elongated hole for aligning the printed circuit board (with cut-out marked **b**)
- 6 4 holes $\varnothing 2.4 \text{ mm} / 0.09 \text{ in.}$ for clipping in adapter ZBZ 01•

Dimensions An + 18.1 relate to the $\varnothing 2.4 \text{ mm} \pm 0.05 / 0.09 \text{ in.} \pm 0.002$ holes for centring adapter ZBZ 01•.

Electrical Composition Corresponding to Codes P1, P3, PF1, PR1 and PF2

Light block



Electrical Composition Corresponding to Codes M6 and P2



Legend

Single contact



Double contact



Light block



Possible location



X-ON Electronics

Largest Supplier of Electrical and Electronic Components

Click to view similar products for [Industrial Panel Mount Indicators / Switch Indicators](#) category:

Click to view products by [Schneider](#) manufacturer:

Other Similar products are found below :

[LW1A-P1-W](#) [LW1B-A0L](#) [01-952.0](#) [01-152.025](#) [D38999/20FJ29PB L/C](#) [704-6012](#) [704-6020](#) [704-6023](#) [704-6026](#) [73.362.4028.0](#) [EUS-704.000.7](#) [750-1520](#) [9001OA120](#) [99-450.837](#) [99-455.837](#) [99-486.837](#) [99-901.9](#) [99-902.9](#) [99-908.0](#) [99-909.4](#) [99-909.5](#) [A0244J1](#) [A3DT-500Y](#) [AL6M-P7P-A](#) [AOLQW-2B0600](#) [AP1M255-A](#) [APD106LN-A](#) [APD106LN-G](#) [APN1126-G](#) [APS122DN-W](#) [ATN2100](#) [AYLW4L-A](#) [18-237.035](#) [C0180AANAHA](#) [HW1A-L1-GD](#) [HW1A-P2-GL](#) [HW1F-3G](#) [HW1R-2DF20-R](#) [HW1X-BM411-R](#) [HW2A-L1-GL](#) [HW2A-P1-GD](#) [HW4S-31L](#) [HWAZ1N-OB](#) [PA2200/1](#) [PA2SHIELD](#) [21-931.0](#) [21-931.2](#) [96-923.5](#) [1625006](#) [99-451.837](#)