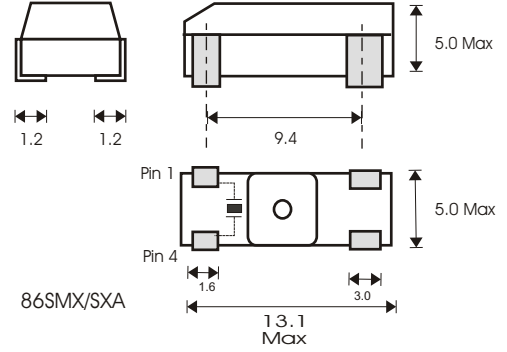
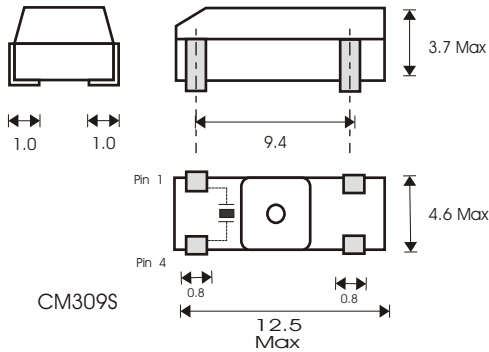


Specify AEL

Plastic Moulded Crystal SXA/86SMX & CM309S



Surface Mounted Quartz Crystal Resonators



FEATURES

- Standard Frequencies Ex-Stock
- Suitable for Reflow Soldering
- Standard I.C Height
- Designed for High Density PCB

APPLICATIONS

- Microprocessor Systems
- Datacommunications
- Consumer Electronics
- Automotive Electronics

STANDARD SPECIFICATION

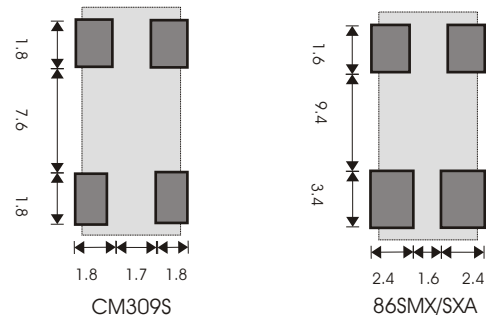
Frequency Range: 3.20 MHz to 90.00 MHz
 Adjustment Tolerance at 25°C: 30PPM Max.
 Frequency Stability: 50PPM Max.
 Operating Temperature Range: -10°C to +60°C
 Load Capacity: 30pF
 E.S.R: See Table
 Drive level: 50~100 MicroWatt
 Ageing: 5PPM 1st Year Max.

Frequency Range	E.S.R	Mode
3.5 MHz ~ 3.99 MHz	200	Fund
4.0 MHz ~ 4.49 MHz	150	Fund
4.5 MHz ~ 4.99 MHz	120	Fund
5.0 MHz ~ 5.99 MHz	100	Fund
6.0 MHz ~ 8.99 MHz	80	Fund
9.0 MHz ~ 9.99 MHz	60	Fund
10.0 MHz ~ 12.99 MHz	50	Fund
13.0 MHz ~ 18.99 MHz	35	Fund
19.0 MHz ~ 29.99 MHz	25	Fund
30.0 MHz ~ 33.99 MHz	20	Fund
30.0 MHz ~ 34.99 MHz	80	3 O/T
35.0 MHz ~ 39.99 MHz	70	3 O/T
40.0 MHz ~ 44.99 MHz	65	3 O/T
45.0 MHz ~ 49.99 MHz	60	3 O/T
50.0 MHz ~ 90.00 MHz	80	3 O/T

AVAILABLE OPTIONS

Frequency Range: 3.2 MHz ~ 90.0 MHz
 Adjustment Tolerance 15PPM ~ 100PPM
 Op. Temp. Range: -40°C to +85°C
 Load Capacity: Series or 9pF ~ 50pF
 Tape & Reel: 1,000pcs/Reel

Suggested Solder Pad Layout



Solder Conditions

Hand Solder	280°C ~ 350°C 3 Secs
Solder Dip	240°C 5 Secs Max
Reflow Soldering	140°C (10°C) 100 Secs Max
PreHeat	
Reflow	Over 200°C 25 Secs Max 230°C 5°C 5 Secs Max



www.aelcrystals.co.uk

quartz based frequency control components

Order Hotline +44 1293 524245

www.aelcrystals.co.uk
sales@aelcrystals.co.uk

X-ON Electronics

Largest Supplier of Electrical and Electronic Components

Click to view similar products for [ael manufacturer](#):

Other Similar products are found below :

[O16M000000L021](#) [X9M830400L035](#) [O25M000000L684](#) [O100M000000L010](#) [O20M000000L046](#) [O64M000000L153](#)
[E3SB16.0000F09G11AE](#) [O25M000000L063](#) [X14M000000L001](#) [O3M686400L120](#) [O25M000000L059](#) [X5M000000L001](#) [X9M830400L152](#)
[O40M000000L125](#) [X4M194304L056](#) [X50M000000L001](#) [X12M000000L188](#) [X4M608000L075](#) [O32M000000L097](#) [O40M000000L126](#)
[X15M000000L002](#) [O4M000000L134](#) [O8M000000L166](#) [O20M000000L676](#) [X32K768S021](#) [X307K200L001](#) [X40M000000L104](#)
[O8M000000L642](#) [C8M000000L004](#) [X1M843200L010](#) [C4M000000L001](#) [X19M660800L307](#) [X20M000000L010](#) [X32K768S019](#)
[X7M372800L027](#) [O10M000000S023](#) [X32K768L009](#) [C8M000000S014](#) [C16M000000L003](#) [X32K768L104](#)