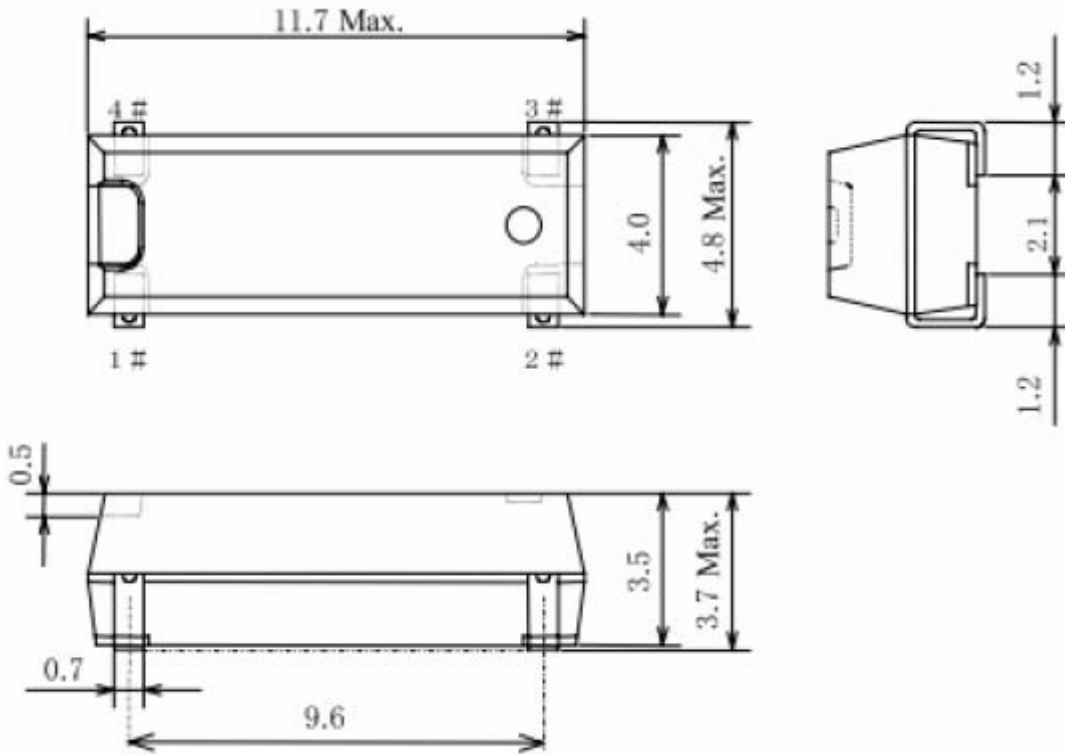




**SPECIFICATION  
CONTROL DRAWING  
Crystal Resonator**

**FREQUENCY**  
**24.000000MHz**



Holder Style	CM309E
Mode	Fundamental
Adjustment Tolerance	± 50PPM at 25°C
Temperature Stability	± 100 PPM
Operating Temp. Range	-40°C to +85°C
Load Capacitance	30 pF
ESR	50 Ohms Max Ohm
Static Capacitance (C0)	Unspecified pF
Ageing	+/-5ppm 1st Year Max
Marking	Mark Std

Amdt Date	Change Note	AEL Code
	260C Reflow Compatible	X24M000000S250
		Issue Ref A

## X-ON Electronics

Largest Supplier of Electrical and Electronic Components

*Click to view similar products for [ael manufacturer](#):*

Other Similar products are found below :

[O16M000000L021](#) [X9M830400L035](#) [O25M000000L684](#) [O100M000000L010](#) [O20M000000L046](#) [O64M000000L153](#)  
[E3SB16.0000F09G11AE](#) [O25M000000L063](#) [X14M000000L001](#) [O3M686400L120](#) [O25M000000L059](#) [X5M000000L001](#) [X9M830400L152](#)  
[O40M000000L125](#) [X4M194304L056](#) [X50M000000L001](#) [X12M000000L188](#) [X4M608000L075](#) [O32M000000L097](#) [O40M000000L126](#)  
[X15M000000L002](#) [O4M000000L134](#) [O8M000000L166](#) [O20M000000L676](#) [X32K768S021](#) [X307K200L001](#) [X40M000000L104](#)  
[O8M000000L642](#) [C8M000000L004](#) [X1M843200L010](#) [C4M000000L001](#) [X19M660800L307](#) [X20M000000L010](#) [X32K768S019](#)  
[X7M372800L027](#) [O10M000000S023](#) [X32K768L009](#) [C8M000000S014](#) [C16M000000L003](#) [X32K768L104](#)