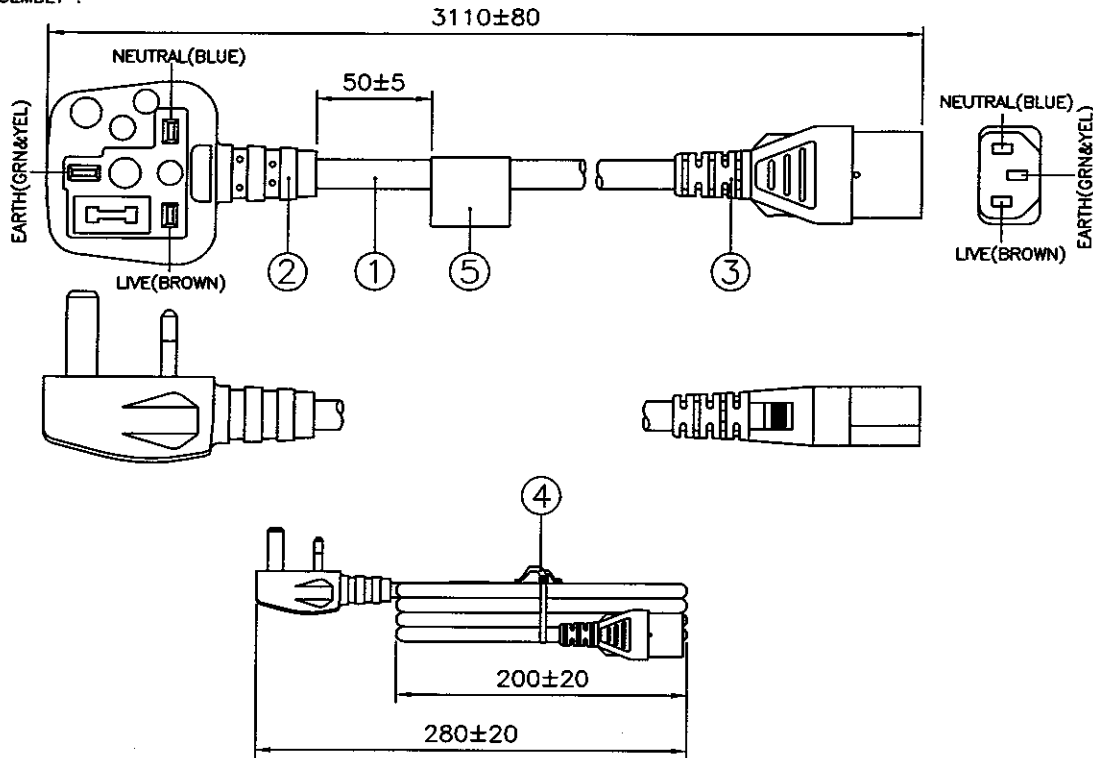


DRAWING NUMBER:  
HG02-079-05

CABLE CUTTING  
CABLE SOURCE :  
1. BAO HING(SHENZHEN).  
2. TONG YUAN(SHENZHEN).

ASSEMBLY :



Notes :

1. ALL DIMENSIONS IN mm.
2. PLUG AND CONNECTOR MARKING :  
REFER TO MARKING DRAWING NO. : VP-0401 AND VC-0402 RESPECTIVELY.
3. PLUG AND CONNECTOR DETAILS :  
REFER TO PRODUCT DRAWING NO. : P-0013 AND C-0063 RESPECTIVELY.
4. THIS PART CAN BE MANUFACTURED AT ANY LOCATION WHICH HAS SAFETY APPROVAL.

REV.	ECN REF. NO.	DESCRIPTION	DATE
1	HG02-079-05	INITIAL RELEASE.	17/02/05

FOR ENQUIRY ONLY  
NOT FOR MASS PRODUCTION

APPROVAL BY : \_\_\_\_\_  
DATE : \_\_\_\_\_

5	WARNING 3C LABEL 728641 YEL	6100095	1
4	8" PE TIE BLK	6310062	1
3	IP60G NL7976B BLK	4100115	-
	MOLDED CONNECTOR V1625 (10A 250V)	V1625	1
2	FUSE 13A	6210002	1
	IP60G NL7976B BLK	4100115	-
	MOLDED PLUG MP5004 (13A 250V)	MP5004-3	1
1	H05W-F 3X1.00 BLK PVC LEAD FREE	1210365	-

S/N	DESCRIPTION	ITEM NUMBER	QTY
TITLE : BRITISH POWER SUPPLY CORDSET (ROHS FR)		PAGE : 1/1	
CUSTOMER : VPE/FARNELL ELECTRICS		HG02-079-05	
CUSTOMER PART NUMBER : X-439307A		REVISION	
F/G CODE : ---		1	

SALES :	QA :	ENGRG :	CHECKED BY :	DRAWN BY :	<b>Volex (Asia) Pte Ltd</b> <small>Confidential property of Volex. Information contained herein shall not be disclosed to others, reproduced or used for any other purposes except as authorized in writing by an authorized official of volex asia.</small>
DATE :	DATE :	DATE :	DATE :	DATE :	
		18/2/05	18/2/05	17/02/05	

## X-ON Electronics

Largest Supplier of Electrical and Electronic Components

*Click to view similar products for [volex manufacturer](#):*

Other Similar products are found below :

[6491](#) [17419](#) [VQSFPQ30YP100](#) [17751-BLK-C3](#) [17519-BLK-B1](#) [17537-BLK-B1](#) [17537 10 B1](#) [2145H 10 H50](#) [17519 10 B1](#) [VSFP30YP050](#)  
[8490-10](#) [17205-10-B1](#) [17621 10 B1](#) [2111H](#) [17660 10 C3](#) [17660-BLK-C3](#) [17251](#) [17612-BLK-B1](#) [17962-BLK-C3](#) [17268A 10 B1](#) [X-](#)  
[150708A](#) [17962 10 C3](#) [9415-10-15](#) [17447-10-S2](#) [VL-0836-14-300](#) [2116H 10 C3](#) [17504A 10 B1](#) [17501-BLK-C3](#) [17970 8](#) [17238 10 B1](#)  
[17238-BLK-B1](#) [17746 10 B1](#) [17600 10 C3](#) [40230 8](#) [17625 10 B1](#) [17615-10-C3](#) [17968 8](#) [17515](#) [17425-10-S2](#) [17425-BLK-S2](#) [17020A 8 S2](#)  
[17508A 10 B1](#) [6482](#) [17523](#) [6483](#) [6479](#) [17635 10 S2](#) [17635-BLK-S2](#) [17510A 8 B1](#) [17510A-GRY-B1](#)