

S P E C I F I C A T I O N S

1. THIS SPECIFICATIONS APPLY TO RS6011Y1401G POTENTIOMETER.

2. CONTENTS OF THIS SPECIFICATIONS.

F3329786M

4S0001-200, 4S0001-201

S6028N404A

3. MARKING

• MARKING ON ALL UNITS

DATE CODE, RESIST. VALUE, TAPER

• CAUTION

Regardless of the suggested applications of these products being introduced in the specifications, when using them for equipment and devices requiring a high degree of safety, respective manufacturers will please preserve safety of the planned equipment and devices by providing necessary protective circuits and redundancy circuits and reconfirm if safety is being duly preserved.

Products being introduced in the specifications have been designed and manufactured for applications to ordinary electronic equipment and devices such as the AV equipment, electric home appliances, office machines and communications equipment. Consequently, when employing these products for applications requiring a high degree of safety and reliability such as the medical equipment, aviation and aircraft equipment, space equipment and burglar alarm equipment, the using manufacturers will please thoroughly study the proprieties of these products for the planned applications.

Although we are exerting our best efforts to maintain the quality of these products, we cannot guarantee that they will never cause short circuiting and open circuitry. Therefore, when designing an equipment or device with which the priority is given to the safety, you will please carefully study the influences to the whole equipment of a single function failure of Potentiometers and Encoders in advance to make out a fail-safe design providing.

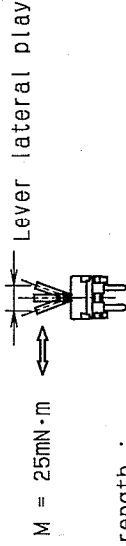
ELECTRICAL

1. Overall resistance : $10k\Omega \pm 20\%$
 2. Minimum resistance : Across term. 1-2 300 max. , Across term. 2-3 500 max.
 3. Taper : A Taper
 4. Rated power : 0.1 Watts
 5. Rated voltage : Rated voltage = $\sqrt{P \cdot R}$ (V)
 P : rated power (W)
 R : nominal overall resistance (Ω)
- When the rated voltage exceeds the maximum operating voltage the maximum operating voltage shall be the rated voltage.
- Maximum operating voltage : A.C. 150 V , D.C. 10 V
6. Dielectric test : Units shall be designed to withstand 300 volts A.C. 50 Hz R.M.S. between resistance elements and case for a period of one minute without damage or arcing.
 7. Insulation resistance : Greater than 100 megohms between resistance elements and case when tested by a 250 volts D.C. insulation resistance meter.
 8. Sliding life test : 15,000 cycles.

*Lever shall be operable with speed of 20 mm per sec. without noise by static electricity.

MECHANICAL

1. Travel : Specified in particular Figure.
2. Operating force : 0.3N - 2.5N (Note 1)
3. Starting force : Operating force + 1N max. (Note 1)
 (Note 1) Measuring temperature : 5°C - 35°C
 Measuring point : 5 mm from lever end .
 Sliding speed : 20 mm per sec.
4. Stop strength :
 50N at a position 5 mm from mounting surface.
5. Lever lateral play :
 When an alternating bending moment of 25mN·m is applied perpendicular to the direction of lever travel , the both sides movement of the lever shall be less than 2(2xL/20)mm.
 L : Lever length on the measurement point from mtg. surface.
 (Note 2) Exempt warping of insulated lever.

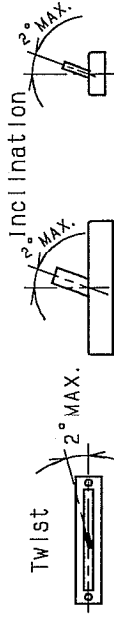


6. Lever strength :

- (1) To be resistant with 50N static force of pull or push applied to lever in thrust direction for 10 seconds without damage.
 - (2) To be resistant with following static force applied to lever in vertical direction to lever driving for 10 seconds without damage.
- ① No damage with an application of 0.2N·m
 : In case of pot., mounted to chassis with screws.
 - ② No damage with an application of 50mN·m
 : In case of pot., mounted to P.C.B. only with terminals.



7. Lever inclination and twist :



8. Resistance to soldering heat : 3 sec. max. at 350°C

ご使用上の注意

PRECAUTION IN USE

1. 偏心ツマミをご使用になる場合

レハ^レの中心より離れたところを作用点としてご使用になる場合、可能な限り
下図A寸法を短くしてご使用下さい。

If it will be used the operating point away from the center line of the lever, it should be shorter as possible.

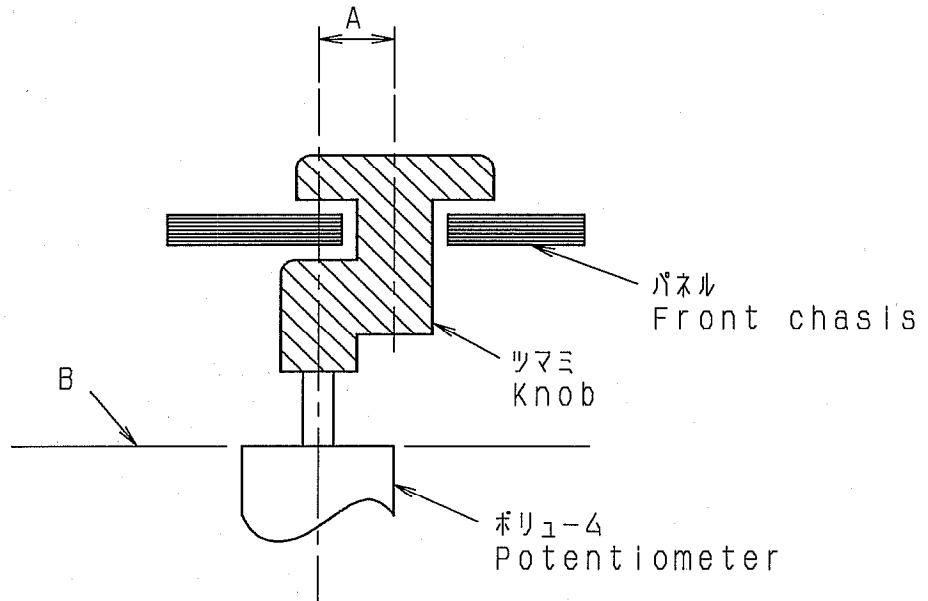
2. レハ^レ長さについて

レハ^レ長さについては、ツマミを含めて、下図B面より極力短いものをご使用願います。レハ^レ長さについては、作用点までの距離が短いほどしゅう動感触が良好となり、長いほど好ましくない感触になります。

About the length of lever

If conditions permit, it is advisable to use the shortest possible lever.

The longer the length up to operating point, the more unfavorable slide feeling will be given.



3. レハ^レの駆動に関しては上記内容を考慮の上、セット実装を行い

あらかじめ異常のないことをご確認願います。

Regarding the operation of the lever, please consider the above mentioned, and make sure nothing is wrong with the operation under installing in your appliance that you plan to use our products actually.

4. ツマミ挿入及びレハ^レ操作は、ホ^レリウムマウント基板に

ソリ(曲がり)のない状態で行って下さい。

Knob assembly on the lever and functioning the lever to be performed under the condition of P. C. B. without warp.

					ALPS ALPS ELECTRIC CO., LTD.			
					APPD. PD1-ENG1 '95.7.24 YOSIOKA	CHKD. PD1-ENG1 '95.7.24 KIMURA	DSGD. PD1-ENG1 '95.7.24 Y. SAITOH	TITLE スライト ^ホ リウム 仕様書 SPECIFICATIONS
ORIGINAL	'91-7-3	Y·Y	K·N	S·A				DOCUMENT NO.
SYMB	DATE	APPD	CHKD	DSGD				450001-200

はんだ付け条件

FOLLOW THE NEXT CONDITIONS FOR SOLDERING

1. はんだ SOLDER

JIS Z 3282に規定の63% Snはんだを使用
63% Sn solder specified in JIS Z 3282.

2. 使用基板 BOARD IN USE

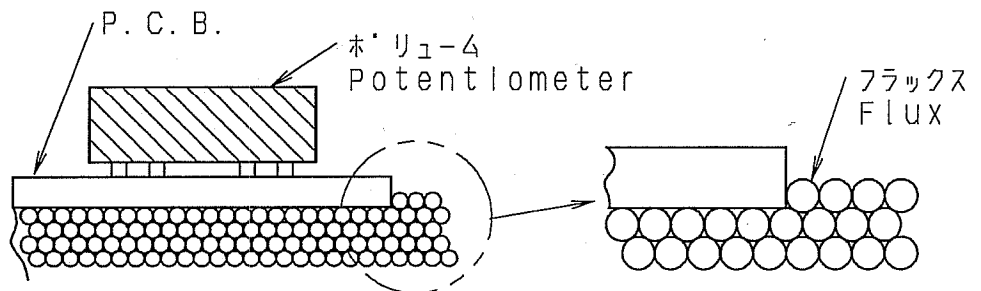
両面スルーホール基板又は、片面銅張積層板 板厚 $t=1.6\text{mm}$
Double-faces through-hole board or Single-face
copper laid laminate board.
Plate thickness (t)= 1.6mm

3. 自動はんだ<DIP条件>

- (1)レバ位置 センター付近に設定願います。
- (2)フラックス比重 0.83 ± 0.01 (発泡式)
- (3)フラックス高さ フリント基板の板厚の半分の位置にフラックスの上面が接するレベル(図1)
又、ホリウム挿入面への流れ込みのないこと。(フラックス上がり、飛散に注意)
- (4)フリヒート温度 100°C max. 時間1分以内。(フリント基板のホリウム挿入側の温度)
- (5)はんだ温度 260°C max. 時間5秒以内。 はんだ回数は1回までとする。

IN THE CASE OF DIP SOLDERING

- (1) State of potentiometer
Position a lever in the vicinity of center.
- (2) Specific Gravity of Flux
 0.83 ± 0.01 (foaming type)
- (3) Height of Flux face
A level of the upper face of flux for reaching the position at a half of the plate thickness of printed board. (Fig. 1)
Further, no flow of flux invading on the surface of printed board on the side of installing potentiometer is allowed.
- (4) Preheat condition
 100°C max., within 1 minute
(Temperature on the side of installing printed board is designated.)
- (5) Soldering condition
Solder temperature; 260°C max.
Soldering period ; within 5 seconds
Time of soldering ; only one time is permitted



(Fig. 1)

4. 手はんだ IN THE CASE OF MANUAL SOLDERING

はんだ温度 350°C max. 時間3秒以内 はんだ回数は1回までとする。

Solder temperature ; 350°C max.

Soldering period ; within 3 seconds

Time of soldering ; only one time is permitted

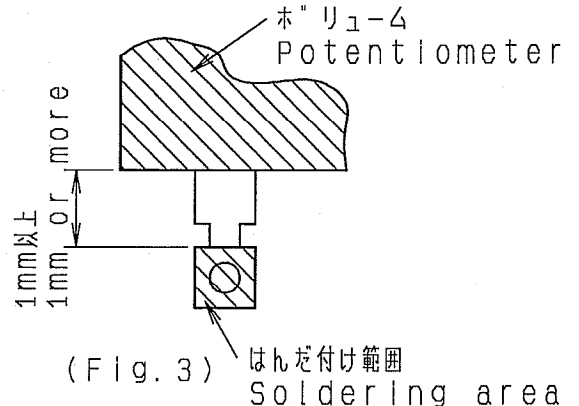
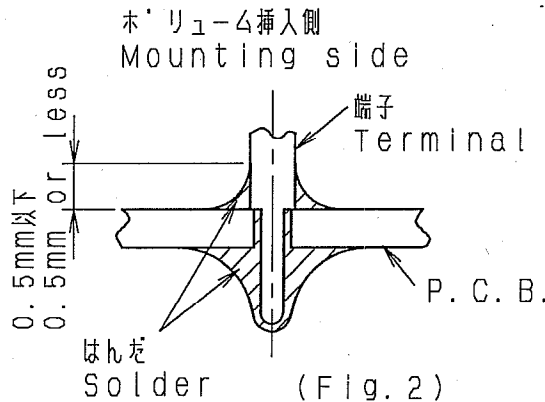
					ALPS ALPS ELECTRIC CO., LTD.			
					APPD. PD1-ENG1 '95.7.24 YOSIOKA	CHKD. PD1-ENG1 '95.7.24 KIMURA	DSGD. PD1-ENG1 '95.7.24 Y. SAITOH	TITLE スライトホリウム仕様書 SPECIFICATIONS 1/2
ORIGINAL	'91-9-3	Y·Y	S·A	S·S				DOCUMENT NO.
SYMB	DATE	APPD	CHKD	DSGD				450001-201

5. 注意事項

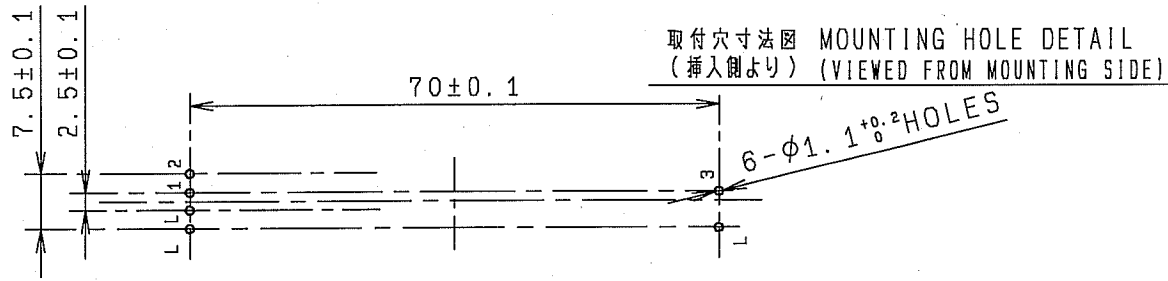
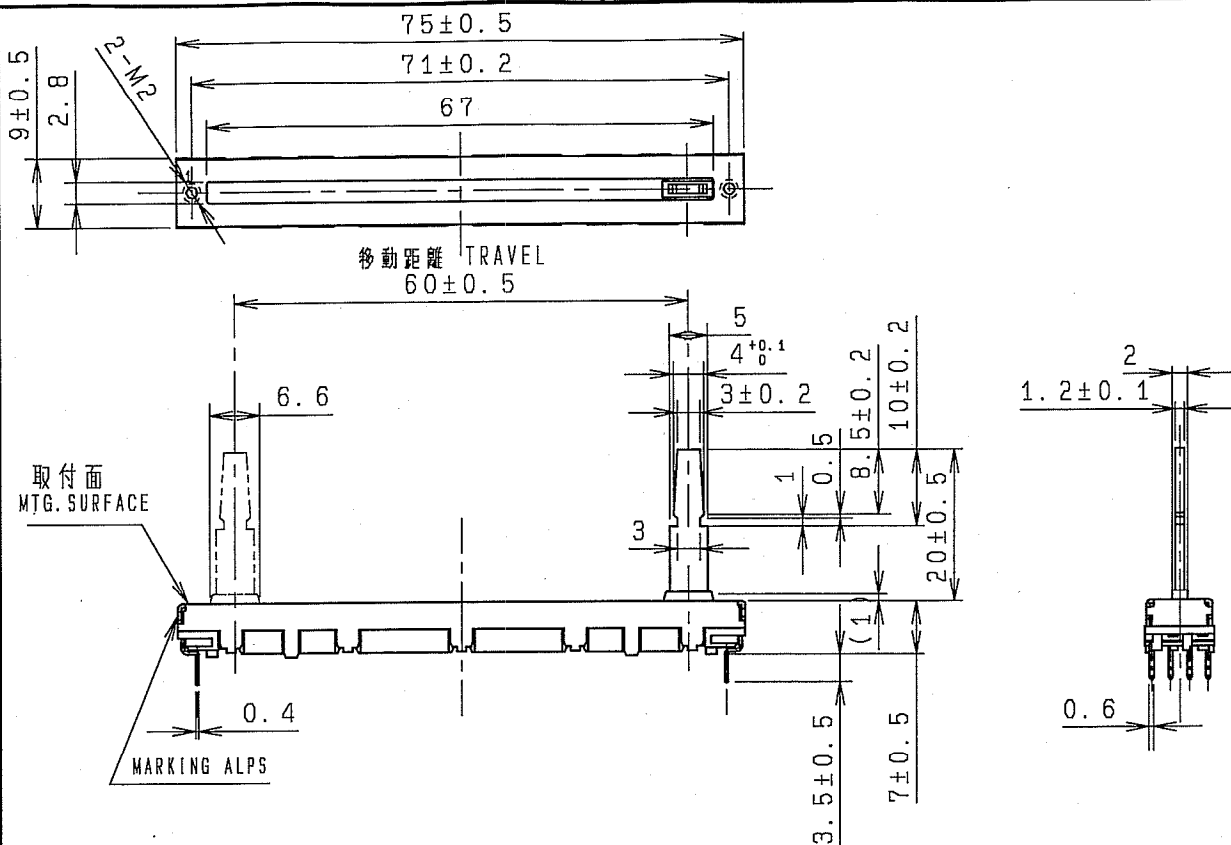
- (1) はんだ付けの際に、端子にストレスを加えないで下さい。例えば、端子に熱を加えたまま製品を動かしますと、かしめ力^{*}及び電気的特性が劣化する恐れがあります。
- (2) 両面スルーホール基板を使用する場合は、ホ^{*}リウム挿入側の端子取付穴に、はんだランド^{*}がないようにご配慮願います。ホ^{*}リウム挿入側での配線が必要な場合は端子取付穴からの直接取り出しを避けスルーホール配線用の穴を設けるなどのご配慮をお願いします。
- (3) ホ^{*}リウム挿入側へのはんだ上がりは、はんだ熱による端子接触不良の発生原因となりますので(図2)を参照願います。
- (4) リード^{*}配線の場合、ホ^{*}リウム本体と、はんだ付け部の距離を1mm以上開けてはんだ付け願います。(図3)
- (5) はんだ付けによるホ^{*}リウムへの影響は、フ^{*}リント基板の大きさ、ホ^{*}リウムの取付け位置、はんだ槽の大きさ、等により異なりますのであらかじめ実使用状態で実施し、異常のないことを確認の上、はんだ付けして下さい。

MATTERS TO BE NOTED

- (1) Do not add any stress on terminals in the case of soldering. For instance, forced movement of potentiometer with terminals being heated may probably deteriorate the electric features due to generation of looseness in connection between resistant board and terminals.
- (2) Avoid use of double-faces through-hole board as much as possible. If it is necessary to use it, do not apply through-hole plating to a hole in which a potentiometer is inserted, and install a land to which terminals are soldered only on a face oppsite to the face on the side of installing potentiometer.
- (3) Use caution to soldering process so as to prevent solder from rising up to the surface of printed board on the side of installing potentiometer, because defective contact may take place in terminal connecting part due to soldering heat .(Fig. 2)
- (4) In the case of lead wiring, solder it so that a gap of 1 mm or more may be reserved between the potentiometer body and soldering part.(Fig. 3)
- (5) The grade of influence of soldering exerted on the potentiometer depends upon the size of a printed board, installing position of the potentiometer, and the size of a solder bath etc. Therefore, make sure, in advance, of no abnormal state under the conditions of soldering to be carried our at present.



					ALPS ALPS ELECTRIC CO., LTD.				
		APPD.	CHKD.	DSGD.	TITLE スライドホ [*] リウム仕様書 SPECIFICATIONS 2/2				
					DOCUMENT NO.				
ORIGINAL	'91-9-3	Y·Y	S·A	S·S	450001-201				
SYMB	DATE	APPD	CHKD	DSGD					



L: LUG TERMINAL ラグ端子とする

- NOTES
1. MOUNTING SCREW THREAD LENGTH IS CHASSIS THICKNESS + 2mm MAX.
取付用ネジの首下長さは、シャーシ板厚 + 2mm 以下とする。
 2. TOP SIDE OF KNOB SHALL BE MOUNTED TO LEVER WITHIN 30mm LENGTH FROM LEVER MTG. SURFACE.
取付面からツマミ先端まで 30mm 以内でご利用願います。

製品質量 6.5 g
WEIGHT

指定なき部分の許容差 TOLERANCES UNLESS OTHERWISE SPEC	
$L \leq 10$	± 0.3
$10 < L < 100$	± 0.5
$100 \leq L$	± 0.8
角度 ANGULAR DIMENSION	$\pm 5'$

PART NO.	NAME	MATERIAL NAME / CODE	FINISH
ALPS ELECTRIC CO., LTD.			
		DSGD. セツケイ K. SATOU '96-06-16	SCALE 1:1
		CHKD. S. ABE '93-06-16	NO.F3329786M S6028N404A
		APPD. Y. YOSHIOKA '93-06-16	TITLE SLIDE POTENTIOMETER SINGLE UNIT
SYMB	DATE	APPD	CHKD
		DSGD	UNIT
			DOCUMENT NO.
			4151

X-ON Electronics

Largest Supplier of Electrical and Electronic Components

Click to view similar products for [alps manufacturer](#):

Other Similar products are found below :

[EC12E1220301](#) [SCZA2A0100](#) [SKQRACE010](#) [SLLB310300](#) [SLLQ110100](#) [SPEE120100](#) [HMSZS1001A](#) [SPVT130101](#) [RK08H11100UD](#)
[SSSU124900](#) [EC11J0924802](#) [EC11B15202AA](#) [SPVF110100](#) [SCZA1A0300](#) [SLLB310500](#) [SLLQ120100](#) [SDKZ1R0200](#) [SPVQ811006](#)
[PTMBL1912A](#) [RK09K111F15C0B104](#) [RK09K1130D62](#) [SCDG2A0101](#) [SPEF120100](#) [SSSS928500](#) [SSGM680200](#) [EC11E09244BS](#)
[UE200013](#) [RS6011Y50K](#) [SCJB1B0301](#) [RD1010030A](#) [EC10E1260507](#) [RK09L124000Z](#) [RD7081015A](#) [RDCC010002](#) [RK14K12D0-F30-C1-](#)
[C503](#) [RK09L1120A2S](#) [SRBM140700](#) [EC11E18244A5](#) [RK0972210-F30-31-B103](#) [RD1Y50010A](#) [RD1030211A](#) [SSSS213800](#)
[EC35A0930401](#) [RS30H11AA009](#) [SPVQ820502](#) [RK14K12C0A0T](#) [RS45112-0620-C0-P1-A203](#) [RK09K1110B1V](#) [RK11K1140A3L](#)
[RKJXS1004001](#)