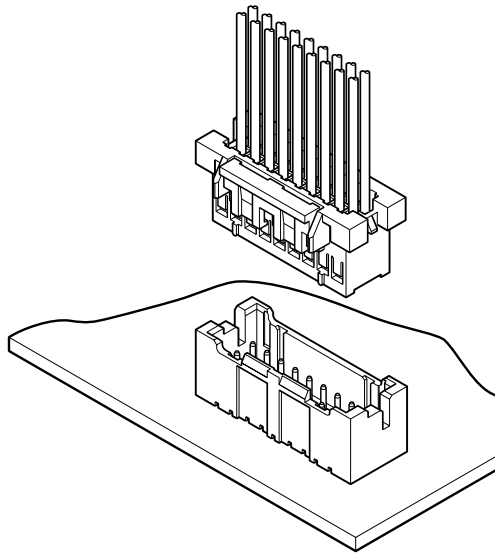


XAD CONNECTOR

2.5mm pitch/Disconnectable Crimp style connectors



Double-row construction connector with secure locking device.

- Secure locking device
- Solder crack preventive material
- Polarizing boss
- Mis-insertion preventive design

Specifications

- Current rating: 3A AC, DC (AWG #20)
- Voltage rating: 250V AC, DC
- Temperature range: -25°C to +85°C
(including temperature rise in applying electrical current)
- Contact resistance: Initial value/10m Ω max.
After environmental testing/20m Ω max.
- Insulation resistance: 1,000M Ω min.
- Withstanding voltage: 1,000V AC/minute
- Applicable wire: AWG #28 to #20
- Applicable PC board thickness: 1.6mm
- * Compliant with RoHS.
- * Refer to "General Instruction and Notice when using Terminals and Connectors" at the end of this catalog.
- * Contact JST for details.

Standards

Recognized E60389

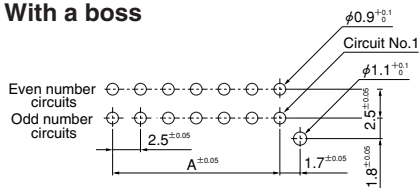
Certified LR20812

R9851219

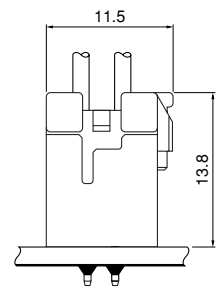
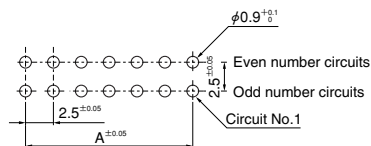
PC board layout (viewed from component side) and Assembly layout

Top entry type

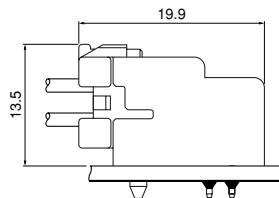
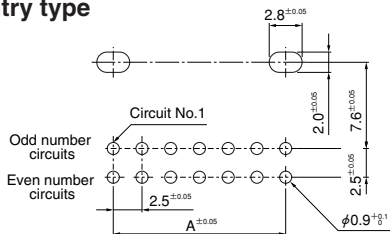
With a boss



Without a boss



Side entry type

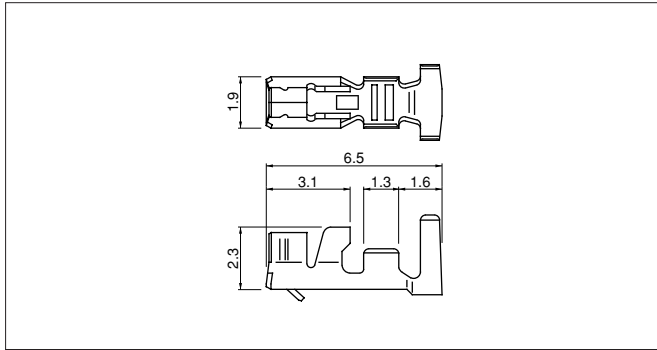


Note: 1. Tolerances are non-cumulative: $\pm 0.05\text{mm}$ for all centers.

2. Hole dimensions differ according to the kind of PC board and piercing method. The dimensions above should serve as a guideline. Contact JST for details.

XAD CONNECTOR

Contact



| Model No. | Applicable wire | | Insulation O.D. (mm) | Q'ty / reel |
|-----------------------|-----------------|-------|----------------------|-------------|
| | mm ² | AWG# | | |
| SXA-01T-P0.6 | 0.22~0.5 | 24~20 | 1.5~1.9 | 8,000 |
| SXA-001T-P0.6 | 0.08~0.33 | 28~22 | 0.8~1.9 | 8,000 |
| SXA-001T-P0.6L | 0.13~0.33 | 26~22 | 1.3~1.7 | 8,000 |

Material and Finish

Phosphor bronze, tin-plated (reflow treatment)

RoHS compliance

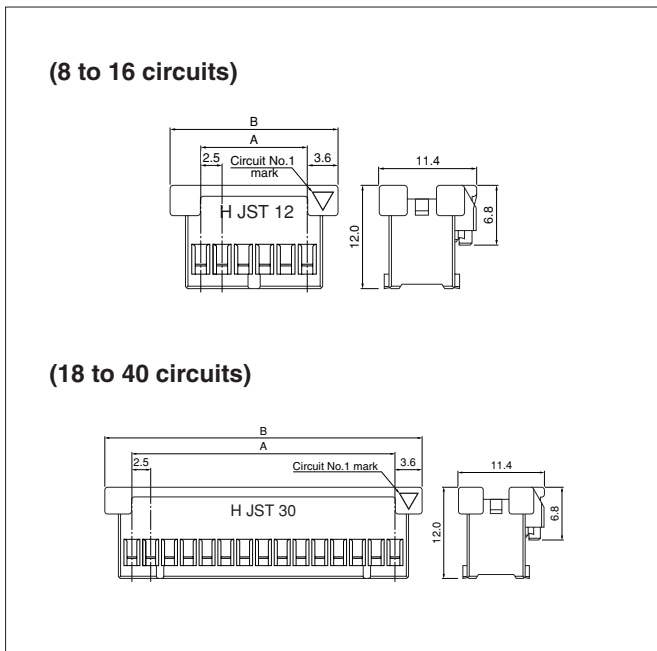
Note: 1. SXA-001T-P0.6L is low-insertion force type contact, for easier insertion/withdrawal, which would be less resistant to the vibration. The crimp height is different from the standard contact.
2. Contact JST for gold-plated products.

| Contact | Crimping machine | Applicator | | |
|-----------------------|------------------|------------------|-----------------|----------------------------|
| | | Crimp applicator | Dies | Crimp applicator with dies |
| SXA-001T-P0.6 | AP-K2N | MKS-L | MK/SXA/M-001-06 | APLMK SXA/M001-06 |
| | | *MKS-SC | SC/SXA/M-001-06 | APLSC SXA/M001-06 |
| SXA-001T-P0.6L | | MKS-L | MK/SXA-001-06L | APLMK SXA001-06L |
| | | *MKS-SC | SC/SXA-001-06L | APLSC SXA001-06L |

| Contact | Crimping machine | Applicator | | |
|---------------------|------------------|------------------|----------------|----------------------------|
| | | Crimp applicator | Dies | Crimp applicator with dies |
| SXA-01T-P0.6 | AP-K2N | MKS-L | MK/SXA/M-01-06 | APLMK SXA/M01-06 |
| | | *MKS-SC | SC/SXA/M-01-06 | APLSC SXA/M01-06 |

Note:*Strip-crimp applicator

Housing



| Circuits | Model No. | Dimensions (mm) | | Q'ty / bag |
|----------|------------------|-----------------|------|------------|
| | | A | B | |
| 8 | XADRP-08V | 7.5 | 14.7 | 1,000 |
| 10 | XADRP-10V | 10.0 | 17.2 | 1,000 |
| 12 | XADRP-12V | 12.5 | 19.7 | 1,000 |
| 14 | XADRP-14V | 15.0 | 22.2 | 1,000 |
| 16 | XADRP-16V | 17.5 | 24.7 | 1,000 |
| 18 | XADRP-18V | 20.0 | 27.2 | 1,000 |
| 20 | XADRP-20V | 22.5 | 29.7 | 500 |
| 22 | XADRP-22V | 25.0 | 32.2 | 500 |
| 24 | XADRP-24V | 27.5 | 34.7 | 500 |
| 26 | XADRP-26V | 30.0 | 37.2 | 500 |
| 28 | XADRP-28V | 32.5 | 39.7 | 500 |
| 30 | XADRP-30V | 35.0 | 42.2 | 500 |
| 32 | XADRP-32V | 37.5 | 44.7 | 500 |
| 34 | XADRP-34V | 40.0 | 47.2 | 500 |
| 36 | XADRP-36V | 42.5 | 49.7 | 250 |
| 40 | XADRP-40V | 47.5 | 54.7 | 250 |

Material

PA 66, UL94V-0, natural (white)

RoHS compliance

Note: Contact JST if retainers are required.

<For reference> As the color identification, the following alphabet shall be put in the underlined part. For availability, delivery and minimum order quantity, contact JST.

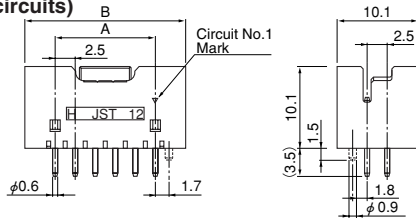
ex. **XADRP-08V-oo**
(blank)...natural (white)
K...black R...red E...blue O...orange M...green
L...lemon yellow PK...pink

XAD CONNECTOR

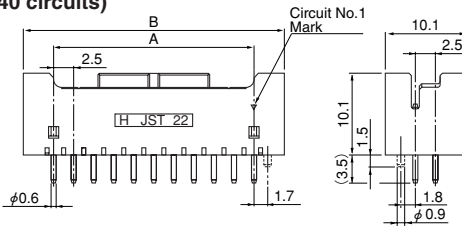
Shrouded header

Top entry type

(8 to 16 circuits)

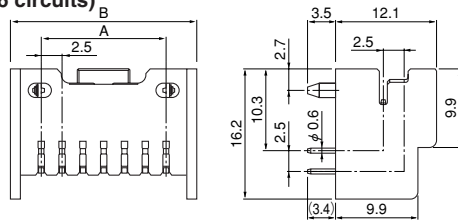


(18 to 40 circuits)

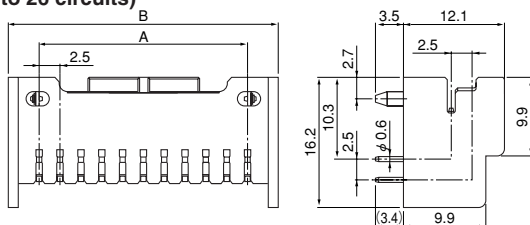


Side entry type

(8 to 16 circuits)



(18 to 26 circuits)



| Circuits | Model No. | | | Dimensions (mm) | | Q'ty / box | |
|----------|----------------|----------------|-----------------|-----------------|------|----------------|-----------------|
| | Top entry type | | Side entry type | A | B | Top entry type | Side entry type |
| | Without a boss | With a boss | | | | | |
| 8 | B08B-XADSS-N | B08B-XADSS-N-A | S08B-XADSS-N | 7.5 | 15.0 | 200 | 270 |
| 10 | B10B-XADSS-N | B10B-XADSS-N-A | S10B-XADSS-N | 10.0 | 17.5 | 200 | 234 |
| 12 | B12B-XADSS-N | B12B-XADSS-N-A | S12B-XADSS-N | 12.5 | 20.0 | 200 | 198 |
| 14 | B14B-XADSS-N | B14B-XADSS-N-A | S14B-XADSS-N | 15.0 | 22.5 | 150 | 180 |
| 16 | B16B-XADSS-N | B16B-XADSS-N-A | S16B-XADSS-N | 17.5 | 25.0 | 150 | 162 |
| 18 | B18B-XADSS-N | B18B-XADSS-N-A | S18B-XADSS-N | 20.0 | 27.5 | 150 | 144 |
| 20 | B20B-XADSS-N | B20B-XADSS-N-A | S20B-XADSS-N | 22.5 | 30.0 | 100 | 126 |
| 22 | B22B-XADSS-N | B22B-XADSS-N-A | — | 25.0 | 32.5 | 100 | — |
| 24 | B24B-XADSS-N | B24B-XADSS-N-A | — | 27.5 | 35.0 | 100 | — |
| 26 | B26B-XADSS-N | B26B-XADSS-N-A | S26B-XADSS-N | 30.0 | 37.5 | 100 | 108 |
| 28 | B28B-XADSS-N | B28B-XADSS-N-A | — | 32.5 | 40.0 | 100 | — |
| 30 | B30B-XADSS-N | B30B-XADSS-N-A | — | 35.0 | 42.5 | 50 | — |
| 32 | B32B-XADSS-N | B32B-XADSS-N-A | — | 37.5 | 45.0 | 50 | — |
| 34 | B34B-XADSS-N | B34B-XADSS-N-A | — | 40.0 | 47.5 | 50 | — |
| 36 | B36B-XADSS-N | B36B-XADSS-N-A | — | 42.5 | 50.0 | 50 | — |
| 40 | B40B-XADSS-N | B40B-XADSS-N-A | — | 47.5 | 55.0 | 50 | — |

Material and Finish

Pin: Copper alloy, copper-undercoated, tin-plated (reflow treatment)
Wafer: Glass-filled PA 66, UL94V-0, natural (white)

RoHS compliance This product displays (LF)(SN) on a label.
Note: Contact JST for the headers with gold-plated pins.

<For reference> As the color identification, the following alphabet shall be put in the underlined part.
For availability, delivery and minimum order quantity, contact JST.

ex. **B08B-XADSS-N**

S...natural (white)

K...black R...red E...blue O...orange M...green

L...lemon yellow PK...pink

X-ON Electronics

Largest Supplier of Electrical and Electronic Components

Click to view similar products for [Headers & Wire Housings](#) category:

Click to view products by [JST](#) manufacturer:

Other Similar products are found below :

[95000-104TRLF](#) [10135584-644402LF](#) [DF62W-EP2022PCA](#) [95000-106TRLF](#) [DF62W-2022SCA](#) [DF62W-EP2022PC](#) [2203348](#) [DF62W-2022SC](#) [1084018](#) [1029039](#) [1084017](#) [802-10-012-10-002000](#) [1112640](#) [1112639](#) [000-34000](#) [0009482033](#) [0009507031](#) [57102-S06-03LF](#) [57202-S52-04LF](#) [PCN6-15S-2.5E](#) [0039019024](#) [58102-G61-06LF](#) [582553-1](#) [0009485154](#) [0009508121](#) [0022285053](#) [0050291907](#) [018731A](#) [LY20-4P-DT1-P1E-BR](#) [02.125.8002.8](#) [60101931](#) [60598-1 \(Cut Strip\)](#) [M1625-3R/100](#) [61062-3](#) [61082-181009](#) [636-1427](#) [638009-1](#) [641938-9](#) [641991-4](#) [644168-1](#) [647662-1](#) [65039-019ELF](#) [65781-047](#) [65817-002LF](#) [65817-015LF](#) [65863-015LF](#) [66207-023LF](#) [67016-026LF](#) [67046-001LF](#) [67095-007LF](#)