

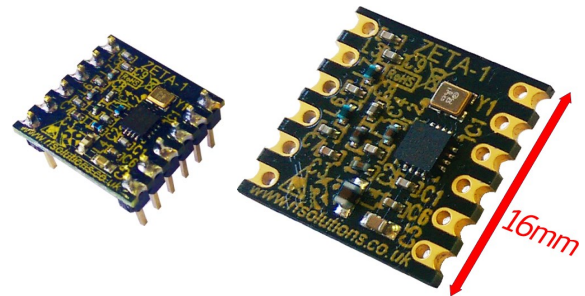
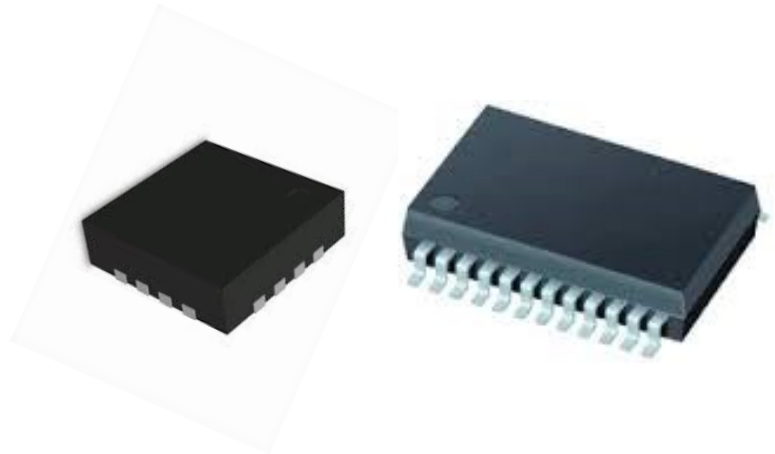
ZETA Codec RF SPI interface

Features

- RF gateway via SPI interface
- No configuration necessary
- Simple SPI bus comms over RF
- Miniature 3mm² package
- Range up to 2km
- RF data rates to 500Kbps
- No external components
- Low voltage 2.2- 3.6V
- Low BOM cost
- Fast and effective RF development

Applications

- Remote networking
- USB/RS232 cable replacement
- Remote data log



Description

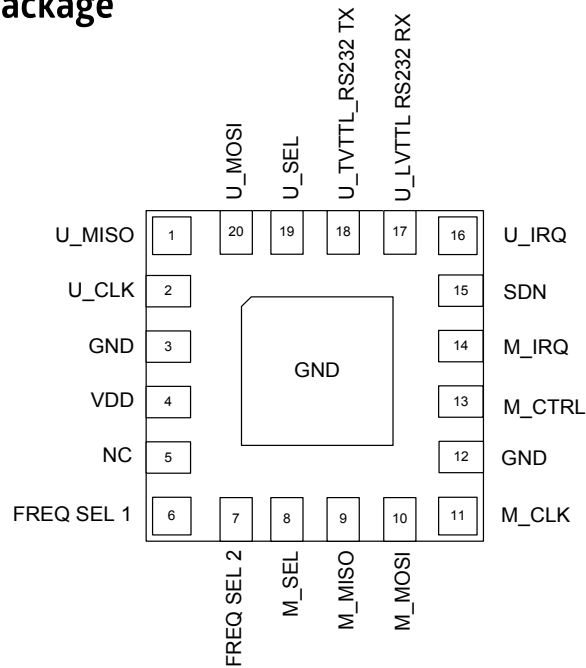
The ZETA Codec chipset is an ultra simple way to communicate wirelessly without the hassle research required to configure hundreds of registers and layout an RF matching network.

Combine the ZETA Codec with RF Solutions' low cost ZETA module using your chosen frequency and start sending and receiving data without any the RF knowledge using an SPI or UART interface for simple and robust communication.

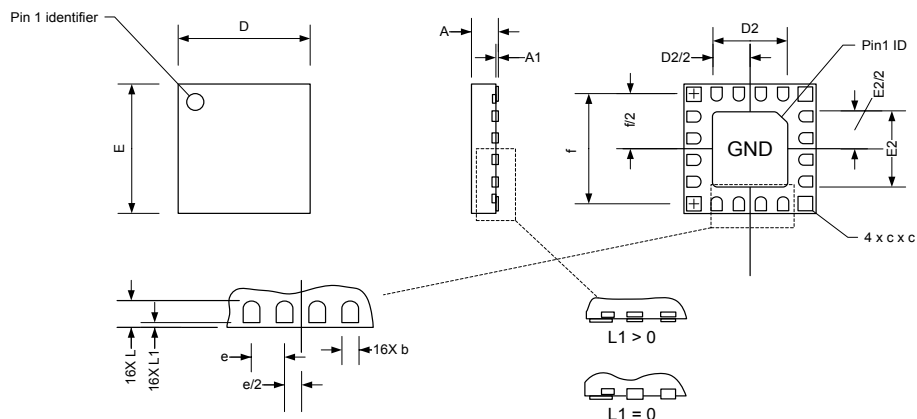
Ordering Information

Part No	Description
ZETA-COD-QFN	Codec IC for ZETA module SMT QFN package
ZETA-COD-QSOP	Codec IC for ZETA module QSOP package

Connections - QFN package

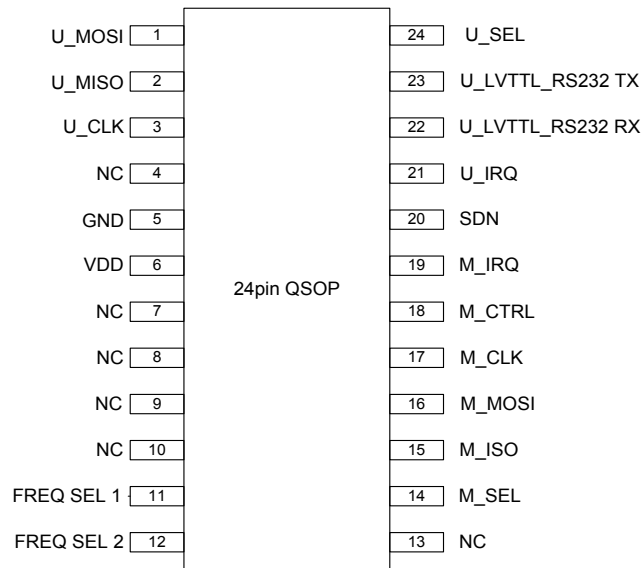


Mechanical dimensions

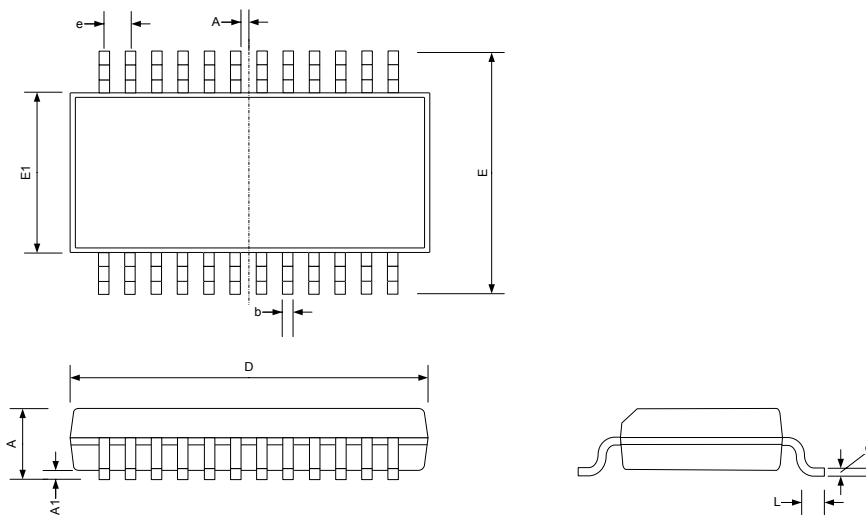


Dimension	Min.	Typ.	Max.
A	0.50	0.55	0.60
A1	0.00	0.02	0.05
b	0.20	0.25	0.30
c	0.27	0.32	0.37
D	3.00 BSC		
D2	1.60	1.70	1.80
e	0.50 BSC		
E	3.00 BSC		
E2	1.60	1.70	1.80
f	2.53 BSC		
L	0.30	0.40	0.50
L1	0.00	-	0.10

Connections - QSOP package



Mechanical dimensions



Dimension	Min.	Typ.	Max.
A	-	-	1.75
A1	0.10	-	0.25
b	0.20	0.25	0.30
c	0.10	-	0.25
D	8.25 BSC		
E	6.00 BSC		
E1	3.90 BSC		
e	0.635 BSC		
L	0.40	-	1.27

Pin Description

Pin No		Name	Direction	Description
QFN	QSOP			
1	2	U_MISO	Output	SPI bus - Master Input Slave Output. Output to controlling master IC
2	3	U_CLK	Input	SPI bus - Clock signal from master controlling micro
3,12	5	GND	-	Ground connection(s)
4	6	VDD	Input	Power input 2.2 - 3.6V
5	4, 7-10, 13	NC		Do not connect
6,7	11,12	FREQ SEL 1/2	Input	Frequency Select to allow operation with ZETA 433, 868 and 915MHz variants.
8	14	M_SEL	-	Connect to ZETA module: pin 12 (Codec to ZETA module SPI bus)
9	15	M_MISO	-	Connect to ZETA module: pin 11 (Codec to ZETA module SPI bus)
10	16	M_MOSI	-	Connect to ZETA module: pin 10 (Codec to ZETA module SPI bus)
11	17	M_CLK	-	Connect to ZETA module: pin 9 (Codec to ZETA module SPI bus)
13	18	M_CTRL	-	Connect to ZETA module: pin 7 (Codec to ZETA module SPI bus)
14	19	M_IRQ	-	Connect to ZETA module: pin 5 (Codec to ZETA module SPI bus)
15	20	SDN	-	Shutdown pin for sleep on both ZETA module and ZETA CODEC (High=Shutdown) When waking device wait for U_IRQ to go high indicating device is ready for coms.
16	21	U_IRQ	Output	SPI bus - data ready interrupt Active Low
17	22	U_LVTTL RX	Input	Low Voltage TTL level (3.3V) UART data / Are capable of 5V TTL
18	23	U_LVTTL TX	Output	Low Voltage TTL level (3.3V) UART data / Are capable of 5V TTL
19	24	U_SEL	Input	SPI bus chip select Active Low
20	1	U_MOSI	Input	SPI bus, Master Output, Slave Input

Connections operational description

The ZETA Codec operates using a Serial Peripheral Interface (SPI) for synchronous, simple industry standard communication between two remote points. ZETA Codec makes designing RF into a circuit simpler and faster than ever before.

Simply pass data to the ZETA Codec using the SPI interface and it seamlessly transmits it to a remote counterpart where the data is made ready and extraction notification is given via an interrupt. No external peripheral components are required, simply connect the ZETA Codec to a ZETA RF module as shown the application circuit, add an antenna and start communicating wirelessly at ranges over 2km.

Additionally the ZETA Codec also contains a standard low level UART interface, via its LVTTTL TX and RX pins, these allow point to point RS232 communication. This may be used instead of the SPI comms, but not as well as.

Pin description operation

SPI interface pins				
U_MISO	U_CLK	U_IRQ	U_SEL	U_MOSI

SPI Interface to master IC: standard 4-line serial

SPI interface to ZETA module						
M_SEL	M_SEL	M_ISO	M_MOSI	M_CTRL	M_IRQ	M_SDN

The ZETA Codec communicates with the ZETA module via SPI, passing data to the ZETA module in a ready ready to send via RF format. Only connection to the relevant pin on the ZETA module is required for these lines. The interface between the two is completely handled by the ZETA Codec and the ZETA module.

Shutdown / Sleep Mode for module and codec		
U_SDN	M_SDN	

The U_SDN pin is used to send the ZETA Module and the ZETA Codec into low power sleep mode. The shutdown state is the lowest current consumption state of the device and is entered by driving SDN high. In this state, all register contents are lost and there is no SPI access. Drive low to exit.

The M_SDN pin passes the state of the U_SDN pin to the module.

RS232 Connection and serial data		
U_LVTTL RX	U_LVTTL RX	

The RS232 connections operate in the same way as the SPI comms and use the same command set . The RS232 pins can be used as an alternative form of communication but not as well as the SPI comms.

For more information see page 8.

FREQUENCY Select pins		
FREQ SEL 1	FREQ SEL 2	

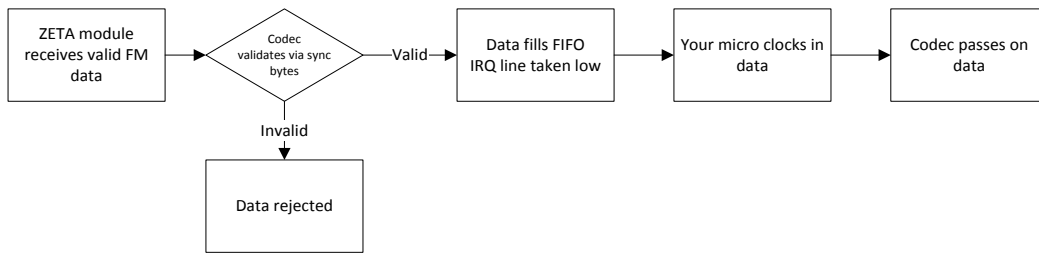
The two frequency selection pins are set such that they tell the CODEC chip which ZETA module it is to work with. Once configured the CODEC will change it's Transmit and Receive mode's altering the available channels to the start points given on pages 6 and 7. The below table defines the settings for each frequency:

	FREQ SEL1	FREQ SEL2
868MHz	NC	NC
915MHz	GND	NC
433MHz	NC	GND

SPI command set and interface

Please Note: some terminal programs may require commands in different formats to the examples shown in this document.

SPI bus flow diagram: receiving a data packet:



Packet structure:

#R	Packet length	RSSI*	Your data
----	---------------	-------	-----------

* RSSI (Received Signal Strength Indicator) value is a single 8 bit byte with value 0 -255.

Mode selection:

Command for MODE select: ATM 1-3		
Command	Name	Description
1	RX	The command enters RX mode using whichever settings were last configured using the #R command below.
2	Ready	Ready is a low power wake state which can be used for fast entry to RX or switching between TX and RX. Time to RX or TX from READY <1ms
3	Sleep	Low power sleep mode with register retention.

Example: Place the codec in receive mode

Command	A	T	M	1
Decimal byte value	65	84	77	1

Note: alternative possible example of mode select for some terminal programs: ATM#001.

Receiver mode:

Command for RECEIVER select: ATR CHANNEL, PACKET LENGTH		
Command	Name	Description
0-15	CHANNEL	Set in 250KHz increments starting at (FREQ dependent): At 433MHz: 0=433.92 At 868MHz: 0=869.50 At 915MHz: 0=915
1-65	PACKET LENGTH	Length of data packet to be sent in 8 bit bytes

Example: Enter receiver mode on channel 2 with a packet length of 10 (8 bit) bytes.

Command	A	T	R	2	10
Decimal byte value	65	84	82	2	10

When a valid packet is received in SPI mode the U_IRQ pin will go low indicating data is ready to be read over SPI. When a valid packet is received in UART mode the data is immediately sent via the U_LVTTL TX pin.

SPI command set and interface - continued from page 5

Transmit mode

Command for Transmit Mode: ATS CHANNEL, PACKET LENGTH, DATA		
Command	Name	Description
0-15	Channel	Set in 250KHz increments starting at (FREQ dependent): At 433MHz: 0=433.92 At 868MHz: 0=869.50 At 915MHz: 0=915
1-64	Packet length	The length of the data packet to follow. In 8 bit bytes.
	Data	Your data to be transmitted.

Example: send a 13 byte packet on channel 2

Command	A	T	S	2	13	DATA
Decimal byte value	65	84	83	2	13	Your 13 bytes

Sync bytes / addressing

Configure module sync bytes: Command: ATA SYNC1, SYNC2, SYNC3, SYNC4		
Command	Name	Description
1-4	SYNC1-4	Sent sync bytes 1-4. The sync bytes appear directly after the pre-amble in data packet and can be used as a form of addressing to discriminate between required and spurious data. Set these bytes and the module will then only pass on data which contains the correct sync bytes configuration. Set all to AA if not required. NOTE: Reverse order bytes: ie 2D = D4, D4 = 2B

Example: Set the sync bytes to 12 34 56 78

Command	A	T	A	12	34	56	78
Decimal byte value	65	84	65	12	34	56	78

RF baud rate

Configure the RF baud rate: Command: ATB 0-19 Note SDN must be toggled high/low for setting to take affect and can take up to 15ms to complete.		
Command	Name	Description
1-19	Baud rate	GFSK RF baud rates in kbps 1=4.8 kbps 2=9.6 kbps 3=38.4 kbps 4=128.0 kbps 5=256.0 kbps 6=500.0 kbps

Example: Set the RF baud rate to 500kbps GFSK:

Command	A	T	B	6
Decimal byte value	65	84	66	6

SPI command set continued

RF Output Power

Configure the RF power output: Command: ATP 1-127		
Command	Name	Description
1-127	Power output	Power output in increments from 1-127

Example: Set the power outputs to 32:

Command	A	T	P	15
ASCII	65	84	80	32

Communication with the ZETA Codec via UART interface.

UART configuration:

Baud rate: 19200

Data bits: 8

Parity: none

Stop bits: 1

Note all UART I/O are at Low level and must not exceed 5V.

UART in

Data is sent to the RX pin on the ZETA codec in standard UART format using the correct command set. A 50ms timeout exists to avoid lock-up if not all requested data bytes are sent - in this scenario the packet would be aborted and no data sent.

UART out

Data is output from the TX pin on the ZETA codec.

When in receive mode and an RF packet is received the data packet is automatically send over the UART.

Communication with the ZETA Codec via SPI interface.

Maximum SPI data rate: 1.4Mhz

Data is sent over the SPI bus on the ZETA codec in standard SPI format using the correct command set. A 50ms timeout exists to avoid lock-up if not all requested data bytes are sent - in this scenario the packet would be aborted and no data sent.

When in receive mode and an RF packet is received the U_IRQ pin will go low indicating SPI data is ready to be read.

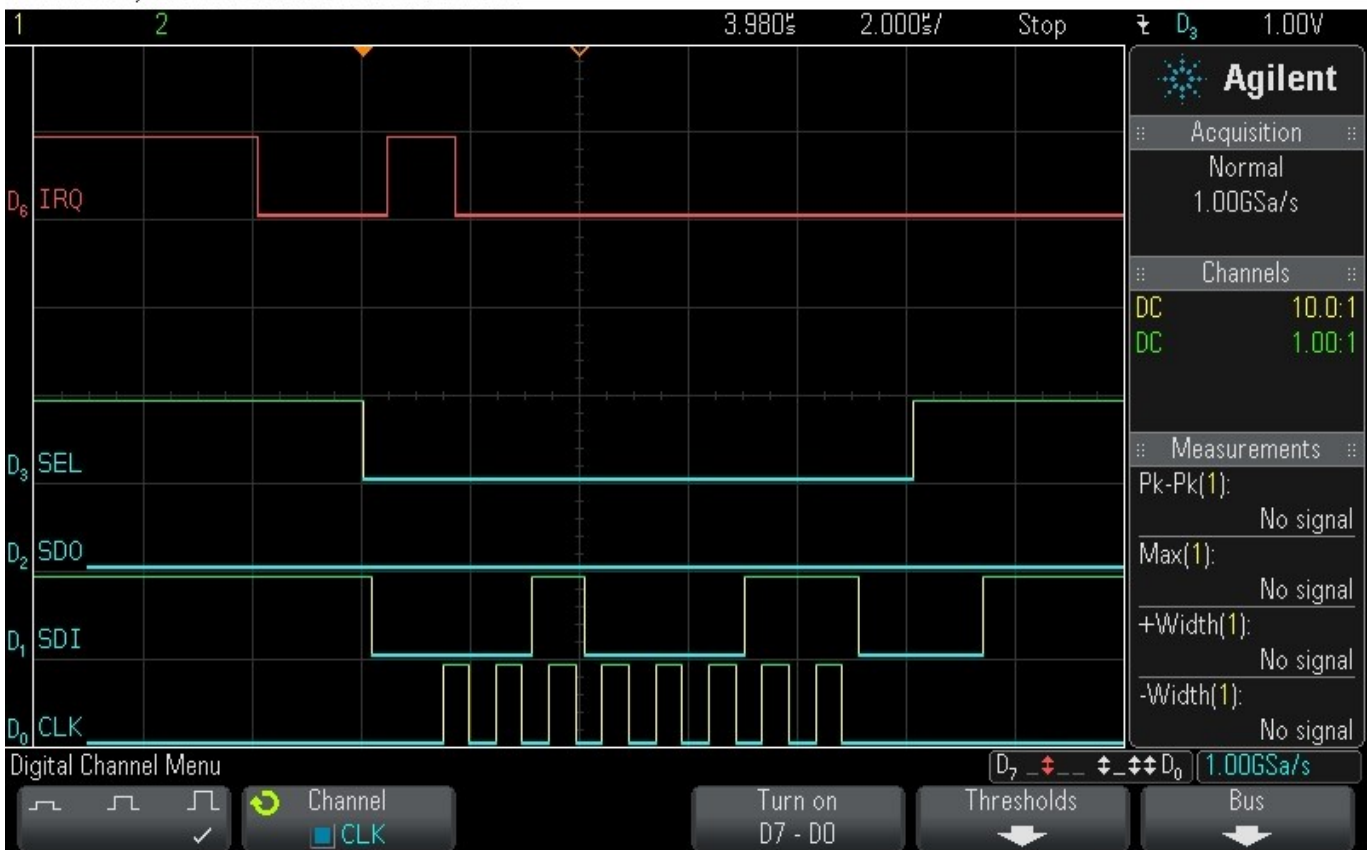
The following two pages show example timing diagrams for the SPI bus communication.

Selecting preferred communication method.

Only one communication method can be used at a time and priority is set by the last access method.

For example if you enable receive mode via SPI it will revert to SPI communication from there on unless you access the device via UART it will then revert to UART communication only from then on.

MSO-X 2012A, MY51360370: Thu Jul 30 18:54:22 2015



Above is the first byte of SPI data following U_IRQ going low after an RF packet has been received.

Sequence:-

1. IRQ goes low indicating a packet has been received.
2. Read byte over SPI bus.
3. If IRQ remains low then more data is still available to read. Goto 2.

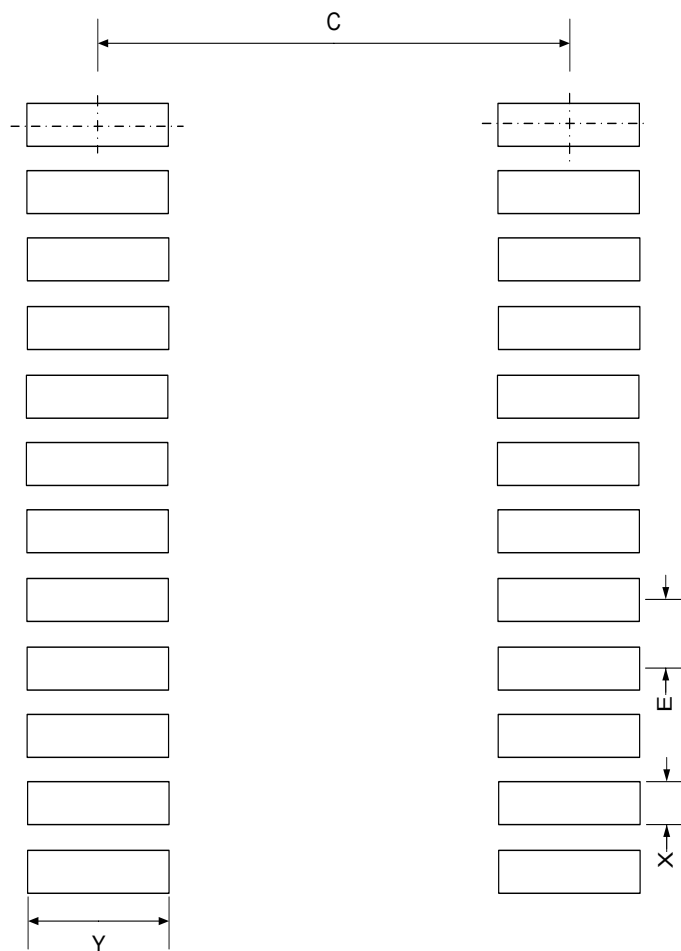
The first two bytes read should be #R followed by the packet length & RSSI value then the packet data.

MSO-X 2012A, MY51360370: Thu Jul 30 18:55:05 2015



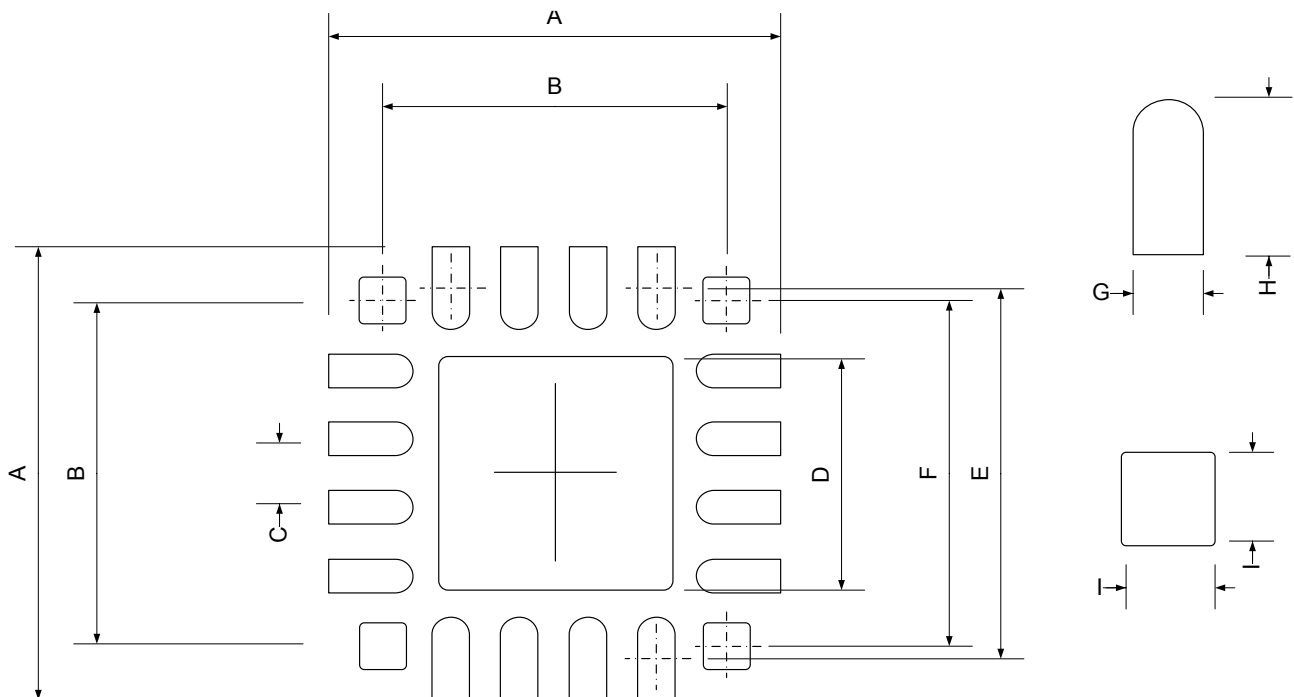
Above is the complete SPI & IRQ Timing diagram for #R<RSSI> <Packet > plus 12 byte data packet

PCB Layout and wave flow guide - 24pin QSOP



Dimension	Min.	Typ.	Max.
C	5.20	-	5.30
X	0.30	-	0.40
Y	1.50	-	1.60
E	0.635 BSC		

PCB Layout - 20pin QFN



Dimension	Min.	Typ.	Max.
A	-	-	3.31
B		2.53 BSC	
C		0.50 BSC	
D	1.60	-	1.80
E		2.71 BSC	
F		2.53 BSC	
G		-	0.28
H		-	0.61
I		-	0.34

Technical Specifications

Absolute Maximums:

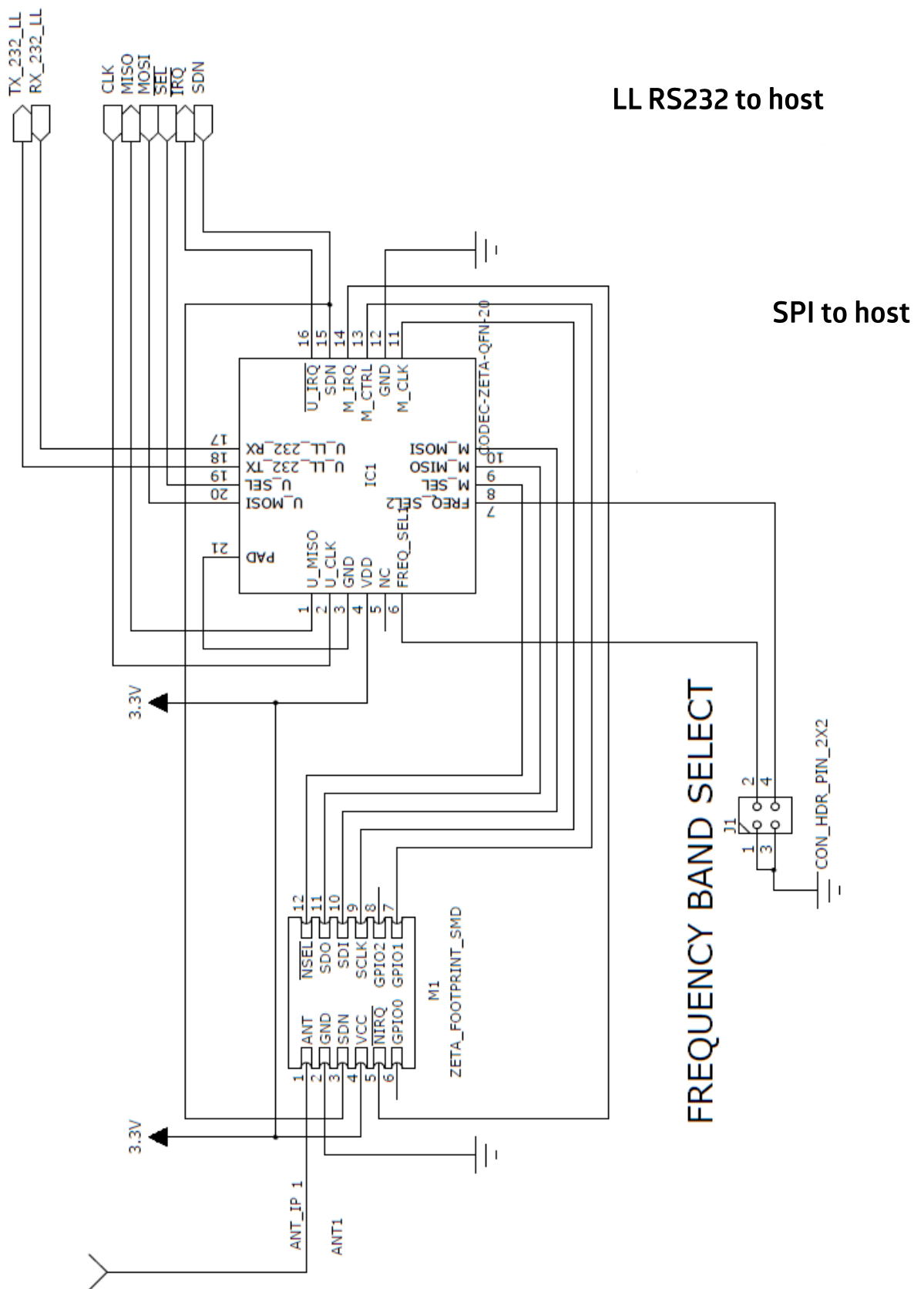
Storage temperature range: -50 to +125°C.

Parameter	Min	Max	Units
Voltage on any Input	$V_{cc} > 2.2$	5.0	V
	$V_{cc} < 2.2$	$V_{cc} + 3.6$	V
Max Input power (thro Antenna)		+10	dBm

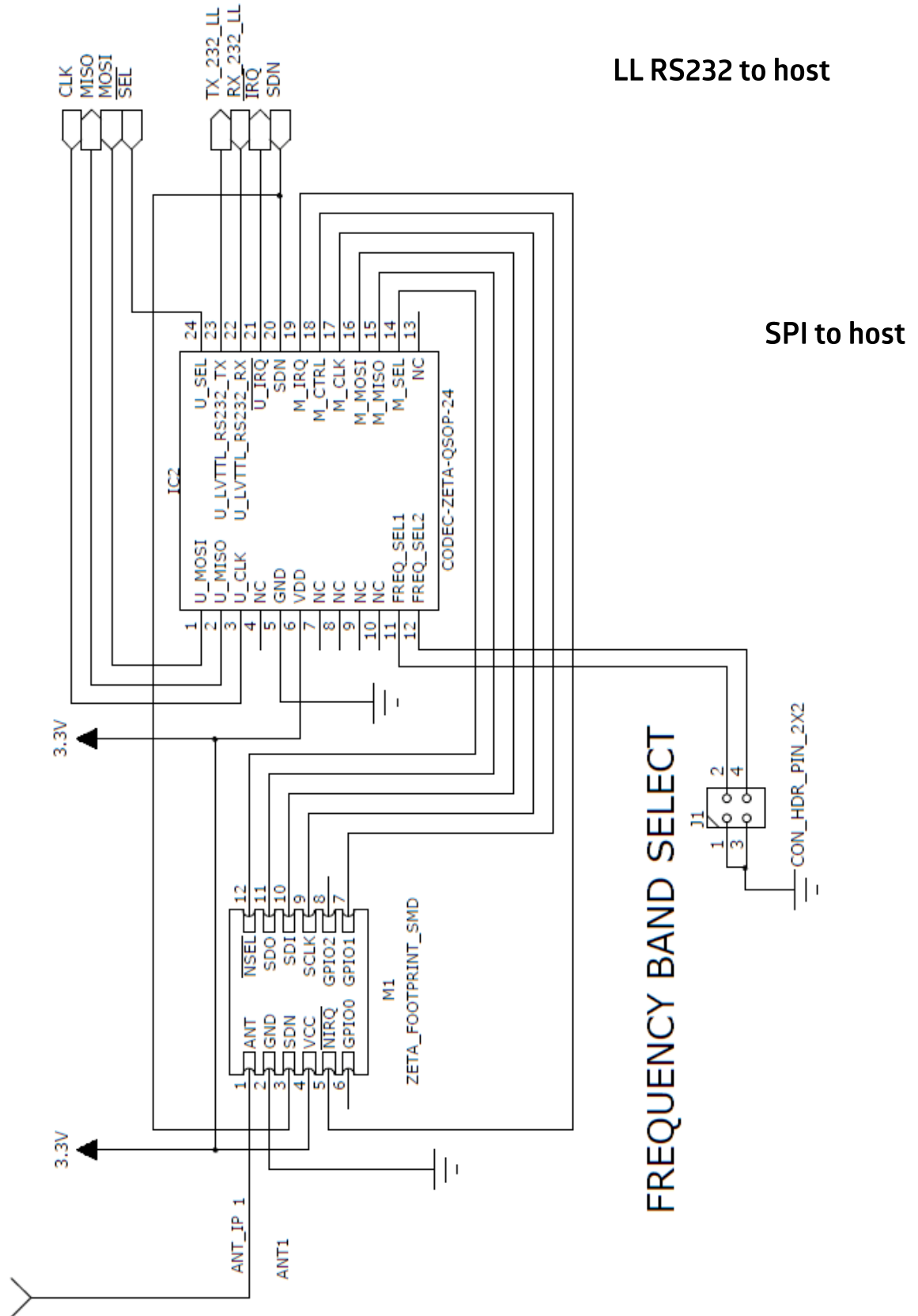
DC Characteristics

Parameter	Min	Typical	Max	Units
Supply voltage	2.4	3	3.6	V
Operating temperature	-10		+55	°C
ZETA Codec TX supply current: When transmitting (At max power)		26		mA
ZETA Codec RX supply current:				
Receiving	14.6	15	15.3	mA
Ready	5.0	5.2	5.5	mA
Standby (SDN High)	9	10	11	µA

Example schematic for connection to ZETA Module (QFN Version)



Example schematic for connection to ZETA Module (SSOP Version)

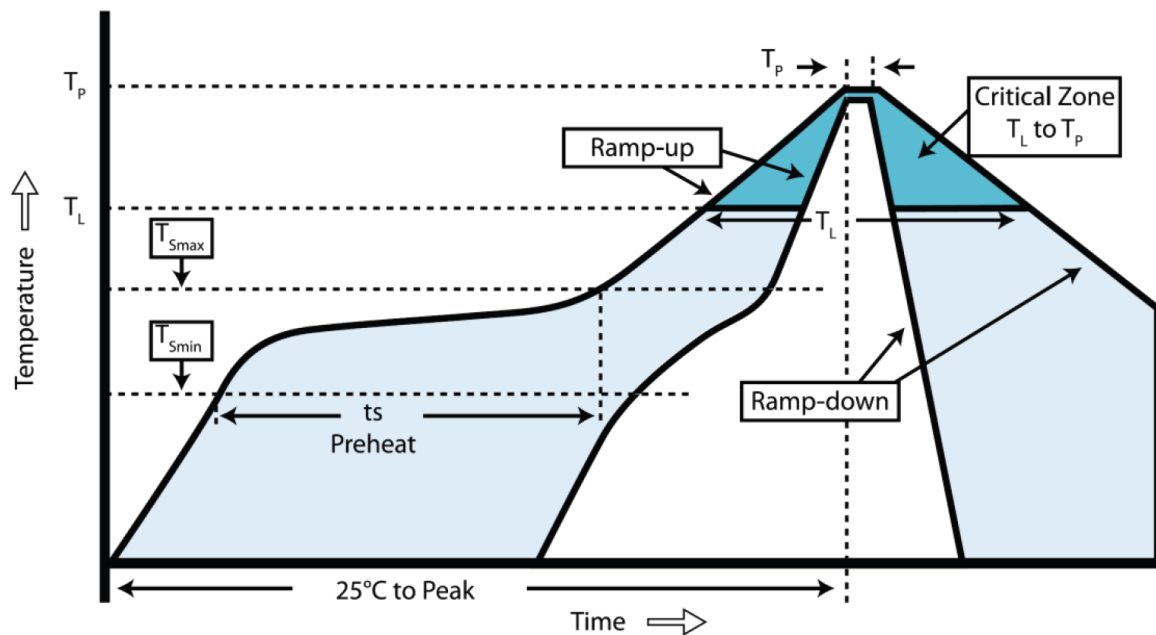


LL RS232 to host

SPI to host

FREQUENCY BAND SELECT

ZETA module and CODEC re-flow guide



ZETA MODULE is a 2 layer PCB, re-flow is based on IPC/JEDEC JSTD020C July 2004

Profile feature	Value (lead free)
Ramp up rate	3°C /s
Pre-heat temperature	
- Temperature Min (T _{Smin})	150°C
- Temperature Max (T _{Smax})	200°C
- Pre-heat time	60-100s
Peak temperature (T _P)	240°C
Time at T _P	10-20sec
Ramp down rate	6°C/s
Time from 25°C to peak	8 mins max.

Range Testing

RF Solutions range tested the ZETA module using the CODEC chipset 2 range tests were carried out in different locations to prove the range consistently

Range test 1

Location: Ditchling Beacon, Sussex UK

Conditions: Light wind, overcast, dry.

Result: 2.2km (this is more than, would be expect in an urban environment).



Range test 2

Location: Hove, Sussex, UK

Conditions: Light wind, overcast, dry.

RF Solutions Ltd. Recycling Notice

Meets the following EC Directives:

DO NOT

Discard with normal waste, please recycle.



Directive 2002/95/EC

Meets certain limits for hazardous substances.

WEEE Directive 2002/96/EC

RF Solutions Ltd. fulfills its WEEE obligations by membership of an approved compliance scheme. This product is electrical & electronic equipment. This product is to be disposed of through a licensed WEEE collection point.

Waste Batteries and Accumulators

Directive 2006/66/EC

Where batteries are fitted, before recycling the product, the batteries must be removed and disposed of at a licensed collection point.

Environment Agency producer registration number:

WEE/JB0104WV.

Disclaimer:

Whilst the information in this document is believed to be correct at the time of issue, RF Solutions Ltd does not accept any liability whatsoever for its accuracy, adequacy or completeness. No express or implied warranty or representation is given relating to the information contained in this document. RF Solutions Ltd reserves the right to make changes and improvements to the product(s) described herein without notice. Buyers and other users should determine for themselves the suitability of any such information or products for their own particular requirements or specification(s). RF Solutions Ltd shall not be liable for any loss or damage caused as a result of user's own determination of how to deploy or use RF Solutions Ltd's products. Use of RF Solutions Ltd products or components in life support and/or safety applications is not authorised except with express written approval. No licences are created, implicitly or otherwise, under any of RF Solutions Ltd's intellectual property rights. Liability for loss or damage resulting or caused by reliance on the information contained herein or from the use of the product (including liability resulting from negligence or where RF Solutions Ltd was aware of the possibility of such loss or damage arising) is excluded. This will not operate to limit or restrict RF Solutions Ltd's liability for death or personal injury resulting from its negligence.

X-ON Electronics

Largest Supplier of Electrical and Electronic Components

Click to view similar products for [rf solutions manufacturer](#):

Other Similar products are found below :

[FOBBER-8T2](#) [ZULU-868](#) [ANT-PCB4520-FL](#) [GAMMA-868-SO](#) [DB5XA](#) [ZULUEVAL-M](#) [DELTA-TRX8C1](#) [LAMBDA62C-9D](#)
[LAMBDA80-24D](#) [ADP-SMAM-NF](#) [ADP-SMAFRP-SMAF](#) [GAMMA-868R-SO](#) [GAMMA-868R](#) [KAPPAM-ARD](#) [ICEPIC](#) [FLEXI-SMA-868](#)
[FM-RTFQ2-433P](#) [DB756](#) [KAPPA-R868-SO](#) [ZETA-ARD-868](#) [ZULUEVAL-DONGLE](#) [ZETAPLUS-915-D](#) [TRAP-T1](#) [ANT-GROD8-NSMA](#)
[ZPT-4RS](#) [HORNET200-TX1](#) [EZTEXT](#) [ICEPIC3-US](#) [I3-TRACER1](#) [ZULU-M-ARDUINO](#) [GAMMA-915R](#) [ANT-GSMSTUB4](#) [RFM68W-](#)
[433-S2](#) [KAPPAT-ARD](#) [I3DBF77](#) [ALPHA-TRX433S](#) [ZETAPLUS-915-SO](#) [ZETAPLUS-433-D](#) [ANT-24G-DPL-SMA](#) [FOBLOQF-4S2](#) [ADP-](#)
[SMAM-2SMAF](#) [CBA-SMAF-OP](#) [ANT-MCLING3-N](#) [RF600E](#) [HORNETPRO-8S3](#) [ZETA-868-SO](#) [CF-WU710NV2](#) [BRAVO-ARD](#)
[LAMBDA62-8D](#) [110C2-433A](#)