

ZF5S-XX-XX-XX-WT-X-XX

No OF POSITIONS  
 -04 THRU -50  
 (USE ZF5-XX AND  
 ZF5C-XX-XX)

LEAD STYLE  
 -01: USE C-297-01-X  
 -02: USE C-298-01-X  
 -03: USE C-297-02-X  
 & C-298-02-X

OPTION  
 -TR: TAPE AND REEL  
 (SEE SHEET 4, FIG 3)

OPTION  
 -K: KAPTON PAD  
 (N/A IN -03 LEAD STYLE)  
 (USE K-DOT-.118-.219-.005)  
 (SEE SHEET 5, FIG 4)

WELD TAB  
 USE WT-60-01-T

PLATING SPECIFICATION  
 -T: PURE TIN, MATTE FINISH

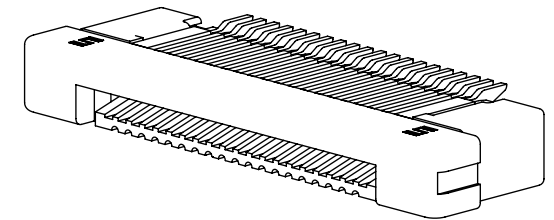
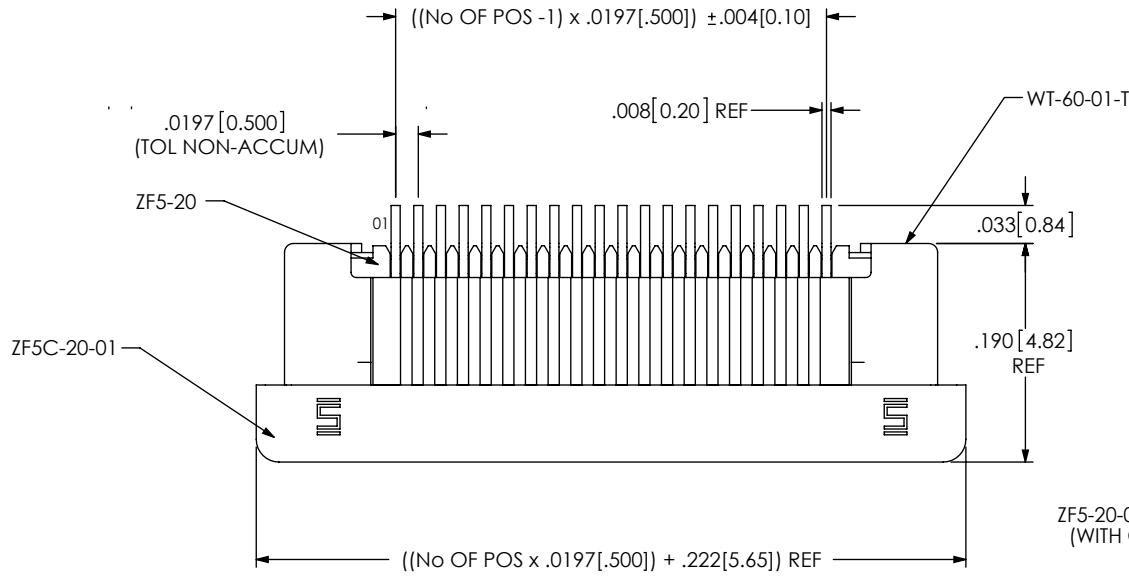


FIG 1  
 ZF5-20-01-X-WT SHOWN  
 (WITH CAM CLOSED)

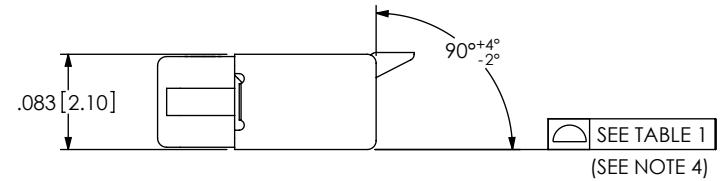
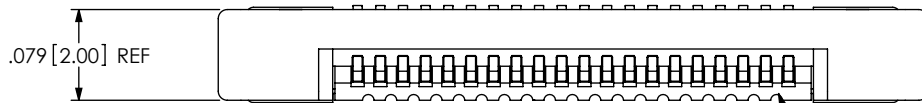


TABLE 1	
No OF POS.	COPLANARITY
-04 THRU -30	.0040[0.101]
-31 THRU -50	.0060[0.152]

NOTES:

- ⊕ REPRESENTS A CRITICAL DIMENSION.
- MAXIMUM BURR ALLOWANCE: .0010[.025]
- MINIMUM PUSHOUT FORCE: 6 OZ.
- CO-PLANARITY INCLUDES TAILS AND WELD TABS.
- WELD TAB RETENTION: 6 OZ.
- BREAKOFF BURR NOT TO EXCEED .007[0.18] AND MUST REMAIN ATTACHED.
- PIN 1 TO HAVE ORIENTATION AS SHOWN.
- VOIDS TO BE RAN AT VENDOR'S DISCRETION.

UNLESS OTHERWISE SPECIFIED,  
 DIMENSIONS ARE IN INCHES.  
 TOLERANCES ARE:  
 DECIMALS ANGLES  
 .XX: ±.01[0.3] 2°  
 .XXX: ±.005[0.13]  
 .XXXX: ±.0020[0.051]

**PROPRIETARY NOTE**  
 THIS DOCUMENT CONTAINS INFORMATION  
 CONFIDENTIAL AND PROPRIETARY TO  
 SAMTEC, INC. AND SHALL NOT BE REPRODUCED  
 OR TRANSFERRED TO OTHER DOCUMENTS OR  
 DISCLOSED TO OTHERS OR USED FOR ANY  
 PURPOSE OTHER THAN THAT WHICH IT WAS  
 OBTAINED WITHOUT THE EXPRESSED WRITTEN  
 CONSENT OF SAMTEC, INC.



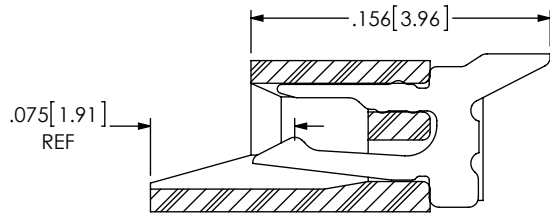
520 PARK EAST BLVD, NEW ALBANY, IN 47150  
 PHONE: 812-944-6733 FAX: 812-948-5047  
 e-Mail: info@SAMTEC.com code 55322

**MATERIAL:** DO NOT SCALE DRAWING SHEET SCALE: 6:1  
 HOUSING: LCP, COLOR: NATURAL  
 CAM SLIDER: LCP, COLOR: BLACK  
 CONTACT: PHOS BRONZE  
 WELD TAB: BRASS  
 MAX FLASH ALLOWED: .002  
 MAX GATE VESTIGE: .002  
 F:\DWG\MISC\Mktg\ZF5S-XX-XX-WT-X-XX-MKT.slddrw

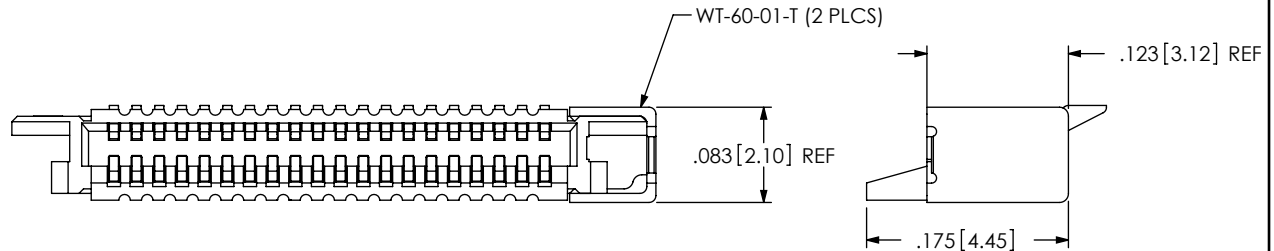
DESCRIPTION:  
 ZERO INSERTION FORCE .5mm ASSEMBLY

DWG. NO.  
**ZF5S-XX-XX-XX-WT-X-XX**

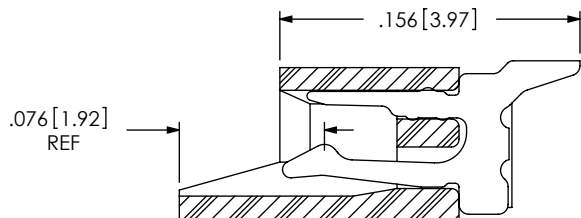
BY: G PURVIS 01/20/2011 SHEET 1 OF 5



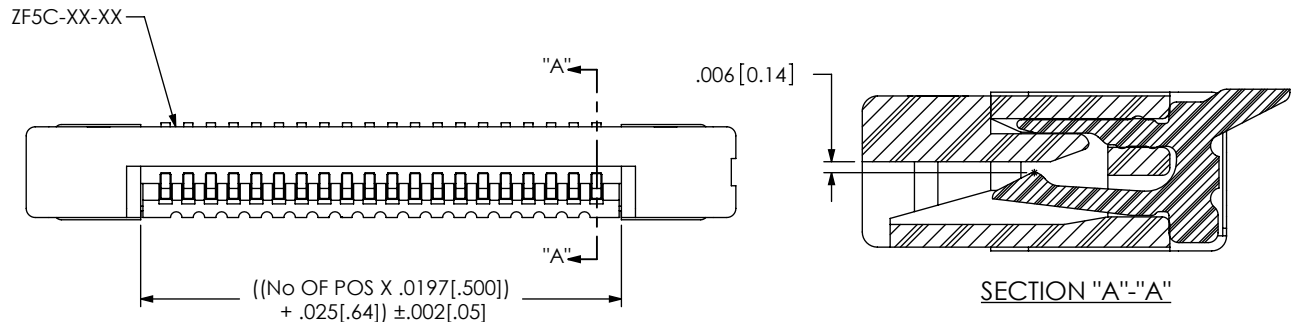
-01 LEAD STYLE  
IN PROCESS 1  
FILL C-297-01-X



IN PROCESS 2  
FILL WT-60-01-X  
(SOME FEATURES REMOVED FOR CLARITY)

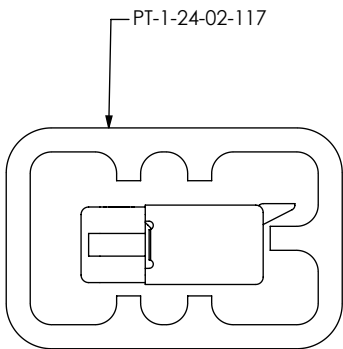


-02 LEAD STYLE  
IN PROCESS 1  
FILL C-298-01-X

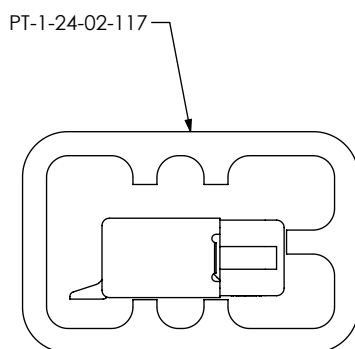


IN PROCESS 3  
INSERT ZF5C-XX-XX  
(CAM SHOWN IN CLOSED POSITION)

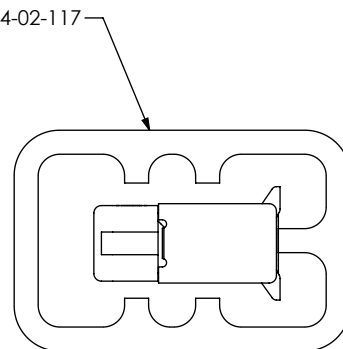
PACKAGING VIEWS  
(-TR OPTION SHOWN ON SHEET 4)  
[PARTS TO HAVE POSITION #1 LOADED IN  
SAME DIRECTION AS ARROW ON TUBE]



-01 LEAD STYLE  
(USE TP-24-02 PLUG)



-02 LEAD STYLE  
(USE TP-24-02 PLUG)



-03 LEAD STYLE  
(USE TP-24-02 PLUG)

F:\DWG\MISC\Mktg\ZF5S-XX-XX-WT-X-XX-MKT.slddrw

**PROPRIETARY NOTE**  
THIS DOCUMENT CONTAINS INFORMATION  
CONFIDENTIAL AND PROPRIETARY TO  
SAMTEC, INC. AND SHALL NOT BE REPRODUCED  
OR TRANSFERRED TO OTHER DOCUMENTS OR  
DISCLOSED TO OTHERS OR USED FOR ANY  
PURPOSE OTHER THAN THAT WHICH IT WAS  
OBTAINED WITHOUT THE EXPRESSED WRITTEN  
CONSENT OF SAMTEC, INC.

DO NOT SCALE DRAWING

SHEET SCALE: 10:1



520 PARK EAST BLVD, NEW ALBANY, IN 47150  
PHONE: 812-944-6733 FAX: 812-948-5047  
e-Mail info@SAMTEC.com code 55322

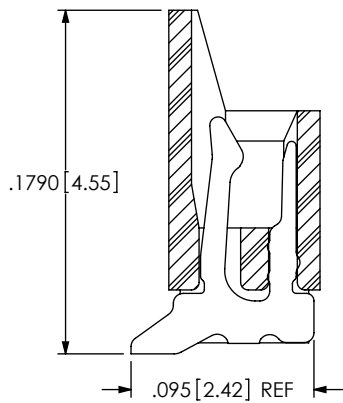
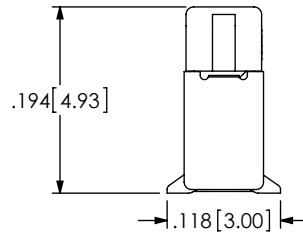
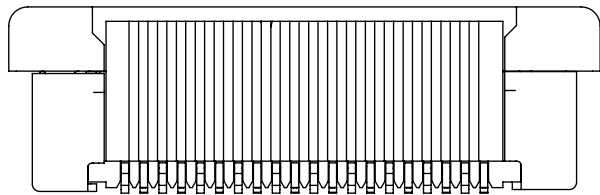
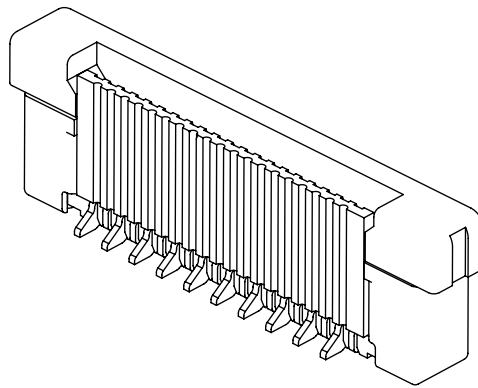
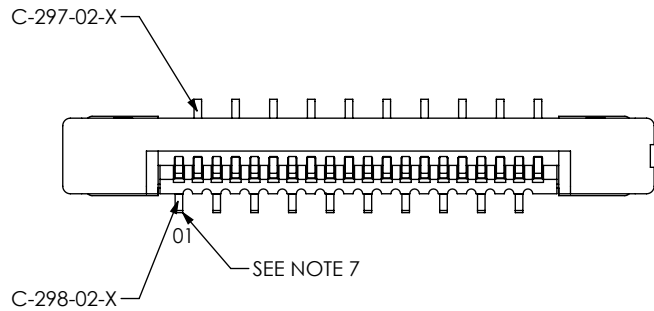
DESCRIPTION:  
ZERO INSERTION FORCE .5mm ASSEMBLY

DWG. NO. ZF5S-XX-XX-XX-WT-X-XX

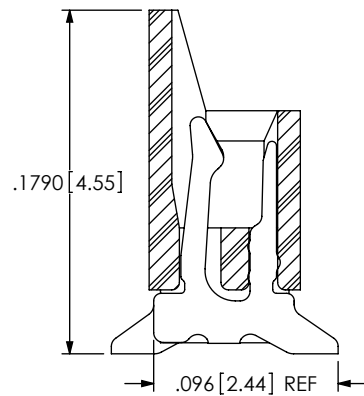
BY: G PURVIS 01/20/2011 SHEET 2 OF 5

FIG 2

-03 LEAD STYLE  
(DIFFERENT AS SHOWN, OTHERWISE SAME AS FIG 1)  
(ZF5-20-03-T-WT SHOWN)

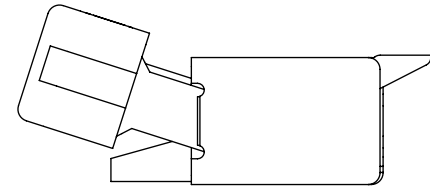


-03 LEAD STYLE  
**IN PROCESS 1A**  
FILL C-298-02-X  
(SAME AS IN PROCESS 1 FOR -01 LEAD  
STYLE EXCEPT AS SHOWN)  
(ODD POSITIONS FILLED ONLY)

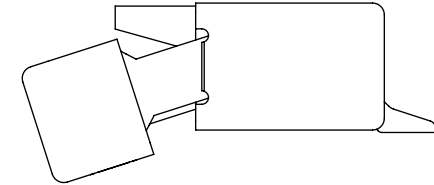


-03 LEAD STYLE  
**IN PROCESS 1B**  
FILL C-297-02-X  
(SAME AS IN PROCESS 1 FOR -01 LEAD  
STYLE EXCEPT AS SHOWN)  
(EVEN POSITIONS FILLED ONLY)

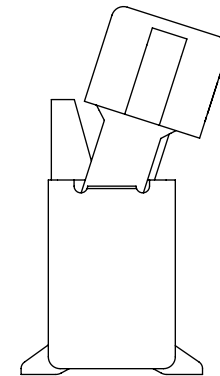
APPLICATION VIEWS



-01 LEAD STYLE SHOWN  
(WITH CAM OPEN)



-02 LEAD STYLE SHOWN  
(WITH CAM OPEN)



-03 LEAD STYLE SHOWN  
(WITH CAM OPEN)

F:\DWG\MISC\mktg\ZF5S-XX-XX-WT-X-XX-MKT.slddrw

PROPRIETARY NOTE

THIS DOCUMENT CONTAINS INFORMATION  
CONFIDENTIAL AND PROPRIETARY TO  
SAMTEC, INC. AND SHALL NOT BE REPRODUCED  
OR TRANSFERRED TO OTHER DOCUMENTS OR  
DISCLOSED TO OTHERS OR USED FOR ANY  
PURPOSE OTHER THAN THAT WHICH IT WAS  
OBTAINED WITHOUT THE EXPRESSED WRITTEN  
CONSENT OF SAMTEC, INC.

DO NOT SCALE DRAWING

SHEET SCALE: 5:1



520 PARK EAST BLVD, NEW ALBANY, IN 47150  
PHONE: 812-944-6733 FAX: 812-948-5047  
e-Mail: info@SAMTEC.com code 55322

DESCRIPTION:

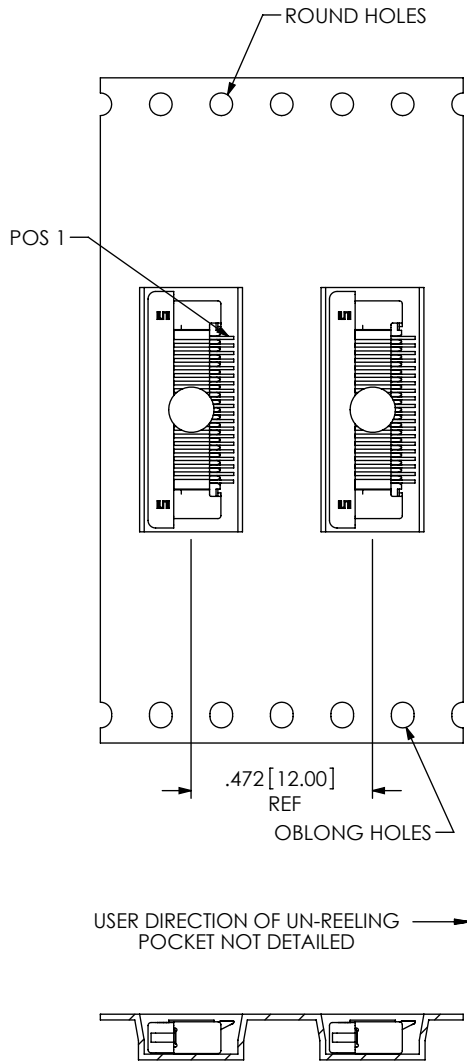
ZERO INSERTION FORCE .5mm ASSEMBLY

DWG. NO.

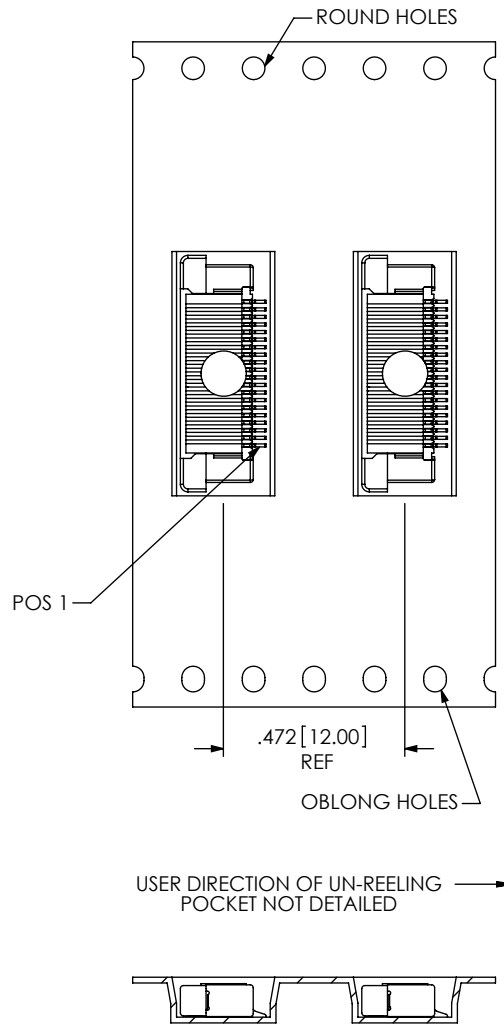
ZF5S-XX-XX-XX-WT-X-XX

BY: G PURVIS 01/20/2011 SHEET 3 OF 5

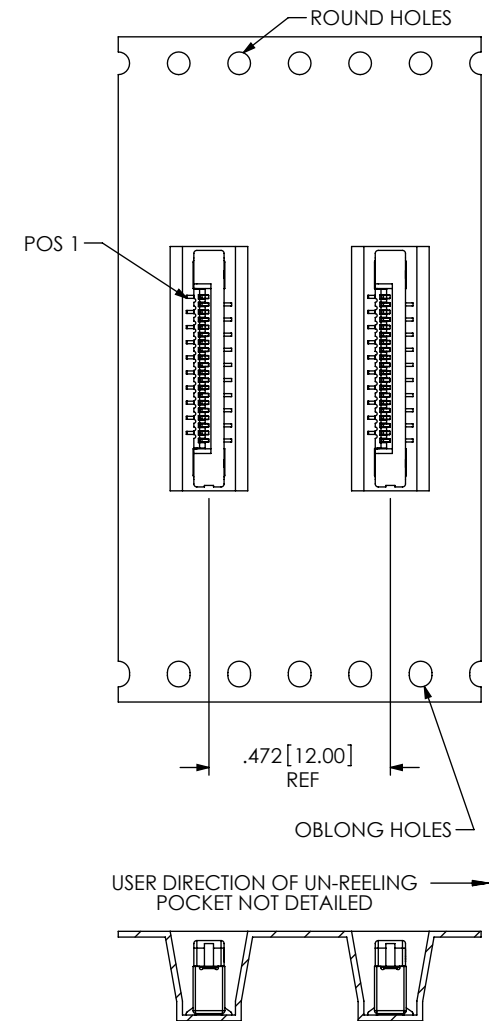
-01 LEAD STYLE  
SHOWN WITH -K OPTION



-02 LEAD STYLE  
SHOWN WITH -K OPTION



-03 LEAD STYLE



PROPRIETARY NOTE

THIS DOCUMENT CONTAINS INFORMATION  
CONFIDENTIAL AND PROPRIETARY TO  
SAMTEC, INC. AND SHALL NOT BE REPRODUCED  
OR TRANSFERRED TO OTHER DOCUMENTS OR  
DISCLOSED TO OTHERS OR USED FOR ANY  
PURPOSE OTHER THAN THAT WHICH IT WAS  
OBTAINED WITHOUT THE EXPRESSED WRITTEN  
CONSENT OF SAMTEC, INC.

SHEET SCALE: 2:1

**samtec**

520 PARK EAST BLVD, NEW ALBANY, IN 47150  
PHONE: 812-944-6733 FAX: 812-948-5047  
e-Mail: info@SAMTEC.com code 55322

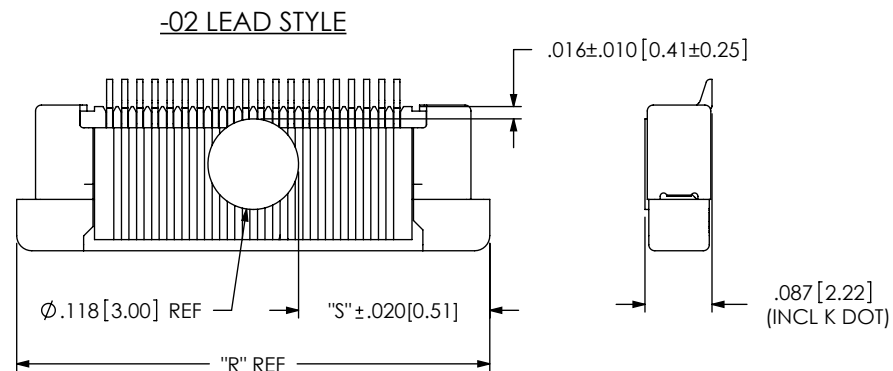
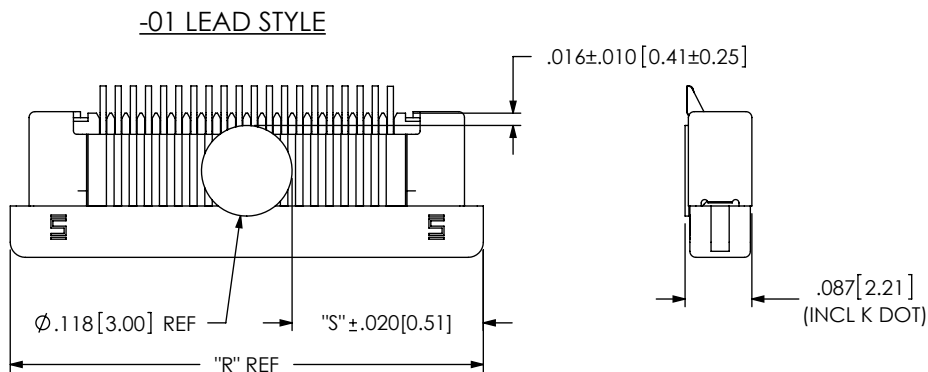
DESCRIPTION:  
ZERO INSERTION FORCE .5mm ASSEMBLY

DWG. NO. ZF5S-XX-XX-XX-WT-X-XX

BY: G PURVIS 01/20/2011 SHEET 4 OF 5

FIG 4  
 KAPTON PAD  
 (USE K-DOT-.118-.219-.005)  
 (DIFFERENT AS SHOWN, OTHERWISE SAME AS FIG 1)

NOTE: "R" = OVERALL LENGTH  
 "S" =  $\{("R" - .118[3.00]) / 2\} \pm .020[.51]$



**PROPRIETARY NOTE**

THIS DOCUMENT CONTAINS INFORMATION CONFIDENTIAL AND PROPRIETARY TO SAMTEC, INC. AND SHALL NOT BE REPRODUCED OR TRANSFERRED TO OTHER DOCUMENTS OR DISCLOSED TO OTHERS OR USED FOR ANY PURPOSE OTHER THAN THAT WHICH IT WAS OBTAINED WITHOUT THE EXPRESSED WRITTEN CONSENT OF SAMTEC, INC.

SHEET SCALE: 4:1



520 PARK EAST BLVD, NEW ALBANY, IN 47150  
 PHONE: 812-944-6733 FAX: 812-948-5047  
 e-Mail info@SAMTEC.com code 55322

DESCRIPTION:  
 ZERO INSERTION FORCE .5mm ASSEMBLY

DWG. NO. ZF5S-XX-XX-XX-WT-X-XX

BY: G PURVIS 01/20/2011 SHEET 5 OF 5

## X-ON Electronics

Largest Supplier of Electrical and Electronic Components

*Click to view similar products for [FFC & FPC Connectors](#) category:*

*Click to view products by [Samtec](#) manufacturer:*

Other Similar products are found below :

[HFW11R-1STE1H1LF](#) [FH29B-100S-0.2SHW\(99\)](#) [FA5S008HP1](#) [FH29B-120S-0.2SHW\(99\)](#) [FH29B-80S-0.2SHW\(99\)](#) [FHS-16](#) [FPH-2022G](#)  
[52610-1075](#) [52610-1275](#) [52610-1934](#) [XF3M\(1\)-1415-1B-R100](#) [501864-3091-TR225](#) [0525594033](#) [086210010340800](#) [086222026001800](#)  
[52271-2869-CUT-TAPE](#) [62674-201121DLF](#) [62684-36210E9ALF](#) [52610-1675](#) [52746-1671-TR250](#) [10051922-2810EHLF](#) [6-520415-9](#)  
[BD021-09A-A1-0350-0200-0550-LD](#) [SFV6R-1STE9HLF](#) [XF3M-2915-1B-R100](#) [1658549-1](#) [62674-221121ALF](#) [46214008010800](#)  
[046298003000883](#) [151660622](#) [842-816-2630-035](#) [AYF530665TA](#) [AYF351525](#) [046296011930846+](#) [AYF352325A](#) [046254020000800+](#)  
[FH19C-13S-0.5SH\(99\)](#) [FH39J-51S-0.3SHW\(99\)](#) [AYF355125A](#) [AYF530365TA](#) [FH29B-44S-0.2SHW\(99\)](#) [SFW5R-2STAE9LF](#) [AYF351125A](#)  
[AYF350725A](#) [62684-502100AHLF](#) [FH39-61S-0.3SHW\(99\)](#) [AYF414035A](#) [10064555-172520HLF](#) [AYF212335A](#) [504754-2500](#)