

Double channel high-side driver with analog current sense for automotive applications

Datasheet - production data



Features

Max transient supply voltage	V_{CC}	41 V
Operating voltage range	V_{CC}	4.5 to 28 V
Typ on-state resistance (per ch.)	R_{ON}	5 m Ω
Current limitation (typ)	I_{LIMH}	100 A
Off-state supply current	I_S	2 $\mu A^{(1)}$

1. Typical value with all loads connected.

- General
 - Very low standby current
 - 3.0 V CMOS compatible inputs
 - Optimized electromagnetic emissions
 - Very low electromagnetic susceptibility
 - Compliance with European directive 2002/95/EC
 - Very low current sense leakage
- Diagnostic functions
 - Proportional load current sense
 - High current sense precision for wide currents range
 - Current sense disable
 - Off-state openload detection
 - Output short to V_{CC} detection
 - Overload and short to ground (power limitation) indication
 - Thermal shutdown indication
- Protection
 - Undervoltage shutdown
 - Overvoltage clamp
 - Load current limitation
 - Self limiting of fast thermal transients

- Protection against loss of ground and loss of V_{CC}
- Overtemperature shutdown with auto restart (thermal shutdown)
- Inrush current active management by power limitation
- Reverse battery protected with self switch of the PowerMOS
- Electrostatic discharge protection

Applications

- All types of resistive, inductive and capacitive loads

Description

The VND5E006ASP-E is a double channel high-side driver manufactured using ST proprietary VIPower™ M0-5 technology and housed in PowerSO-16 package. The device is designed to drive 12 V automotive grounded loads, and to provide protection and diagnostics. They also implement a 3 V and 5 V CMOS compatible interface for the use with any microcontroller.

The device integrates advanced protective functions such as load current limitation, inrush and overload active management by power limitation, overtemperature shut-off with auto restart and overvoltage active clamp. A dedicated analog current sense pin is associated with every output channel providing enhanced diagnostic functions including fast detection of overload and short-circuit to ground through power limitation indication, overtemperature indication, short-circuit to V_{CC} diagnosis and on-state and off-state open-load detection. The current sensing and diagnostic feedback of the whole device can be disabled by pulling the CS_DIS pin high to share the external sense resistor with similar devices.

Contents

1	Block diagram and pin description	5
2	Electrical specifications	7
2.1	Absolute maximum ratings	7
2.2	Thermal data	8
2.3	Electrical characteristics	9
2.4	Waveforms	18
2.5	Electrical characteristics curves	21
3	Application information	24
3.1	Load dump protection	24
3.2	MCU I/Os protection	24
3.3	Current sense and diagnostic	25
3.3.1	Short to VCC and off-state open-load detection	26
3.4	Maximum demagnetization energy (VCC = 13.5 V)	27
4	Package and PCB thermal data	28
4.1	PowerSO-16 thermal data	28
5	Package information	31
5.1	ECOPACK® packages	31
5.2	PowerSO-16 mechanical data	31
5.3	Packing information	33
6	Order codes	35
7	Revision history	36

List of tables

Table 1.	Pin function	5
Table 2.	Suggested connections for unused and not connected pins	6
Table 3.	Absolute maximum ratings	7
Table 4.	Thermal data	8
Table 5.	Power section	9
Table 6.	Switching ($V_{CC} = 13\text{ V}$; $T_j = 25\text{ }^\circ\text{C}$)	9
Table 7.	Logic inputs	10
Table 8.	Protections and diagnostics	10
Table 9.	Current sense ($8\text{ V} < V_{CC} < 18\text{ V}$)	11
Table 10.	Open-load detection ($8\text{ V} < V_{CC} < 18\text{ V}$)	12
Table 11.	Truth table	16
Table 12.	Electrical transient requirements (part 1/3)	17
Table 13.	Electrical transient requirements (part 2/3)	17
Table 14.	Electrical transient requirements (part 3/3)	17
Table 15.	Thermal parameters	30
Table 16.	PowerSO-16 mechanical data	32
Table 17.	Device summary	35
Table 18.	Document revision history	36

List of figures

Figure 1.	Block diagram	5
Figure 2.	Configuration diagram (top view)	6
Figure 3.	Current and voltage conventions	7
Figure 4.	Current sense delay characteristics	13
Figure 5.	Open-load off-state delay timing	13
Figure 6.	Switching characteristics	13
Figure 7.	Delay response time between rising edge of output current and rising edge of current sense (CS enabled)	14
Figure 8.	Output voltage drop limitation	14
Figure 9.	I_{OUT}/I_{SENSE} vs I_{OUT}	15
Figure 10.	Maximum current sense ratio drift vs load current ⁽¹⁾	15
Figure 11.	Normal operation	18
Figure 12.	Overload or short to GND	18
Figure 13.	Intermittent overload	19
Figure 14.	Off-state open-load with external circuitry	19
Figure 15.	Short to V_{CC}	20
Figure 16.	T_J evolution in overload or short to GND	20
Figure 17.	Off-state output current	21
Figure 18.	High level input current	21
Figure 19.	Input clamp voltage	21
Figure 20.	Input high level voltage	21
Figure 21.	Input low level voltage	21
Figure 22.	Input hysteresis voltage	21
Figure 23.	On-state resistance vs T_{case}	22
Figure 24.	On-state resistance vs V_{CC}	22
Figure 25.	Undervoltage shutdown	22
Figure 26.	I_{LIMH} vs T_{case}	22
Figure 27.	Turn-on voltage slope	22
Figure 28.	Turn-off voltage slope	22
Figure 29.	CS_DIS clamp voltage	23
Figure 30.	Low level CS_DIS voltage	23
Figure 31.	High level CS_DIS voltage	23
Figure 32.	Application schematic	24
Figure 33.	Current sense and diagnostic	25
Figure 34.	Maximum turn-off current versus inductance	27
Figure 35.	PowerSO-16 PC board ⁽¹⁾	28
Figure 36.	$R_{thj-amb}$ vs PCB copper area in open box free air condition (one channel ON)	28
Figure 37.	PowerSO-16 thermal impedance junction ambient single pulse (one channel ON)	29
Figure 38.	Thermal fitting model of a double channel HSD in PowerSO-16 ⁽¹⁾	29
Figure 39.	PowerSO-16 package dimensions	31
Figure 40.	PowerSO-16 tube shipment (no suffix)	33
Figure 41.	PowerSO-16 tape and reel shipment (suffix "TR")	33
Figure 42.	PowerSO-16 suggested pad layout	34

1 Block diagram and pin description

Figure 1. Block diagram

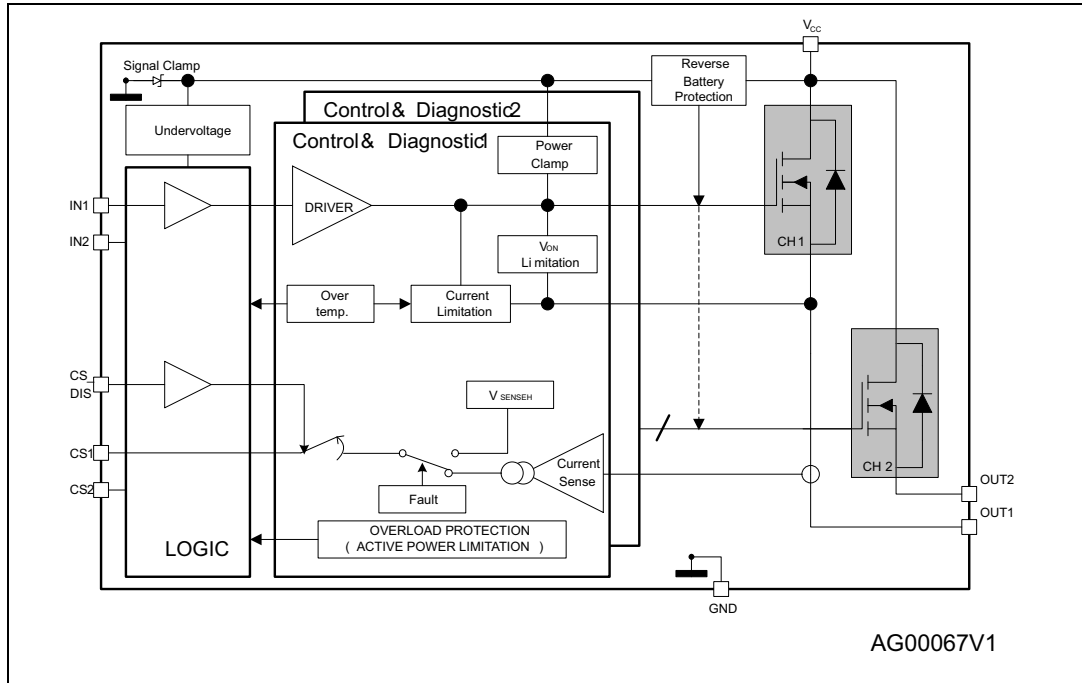


Table 1. Pin function

Name	Function
V _{CC}	Battery connection.
OUTn	Power output.
GND	Ground connection.
INn	Voltage controlled input pin with hysteresis, CMOS compatible. Controls output switch state.
CSn	Analog current sense pin, delivers a current proportional to the load current.
CS_DIS	Active high CMOS compatible pin, to disable the current sense pin.

Figure 2. Configuration diagram (top view)

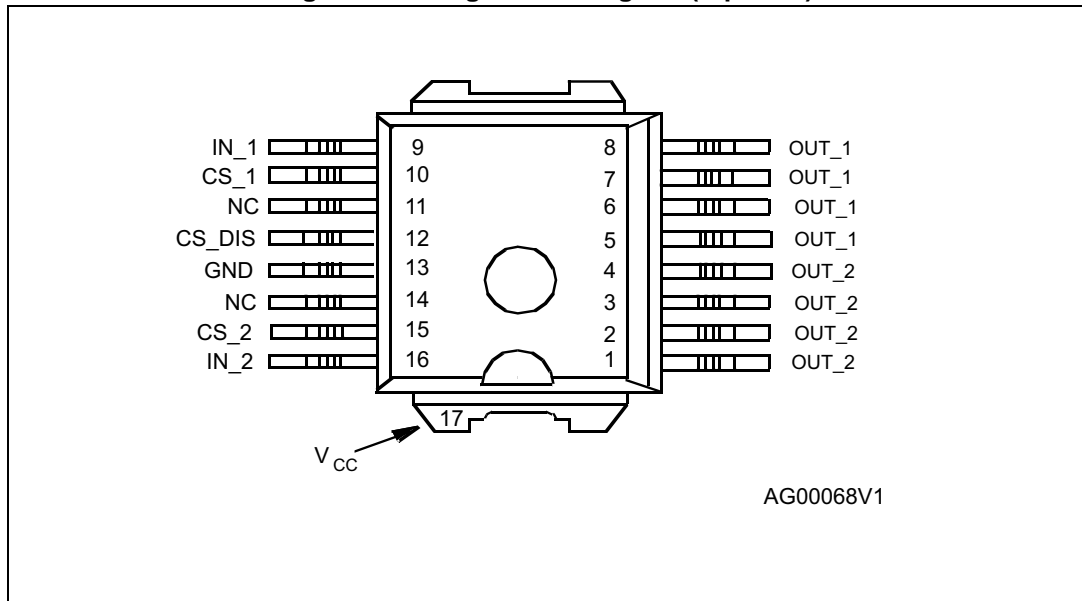
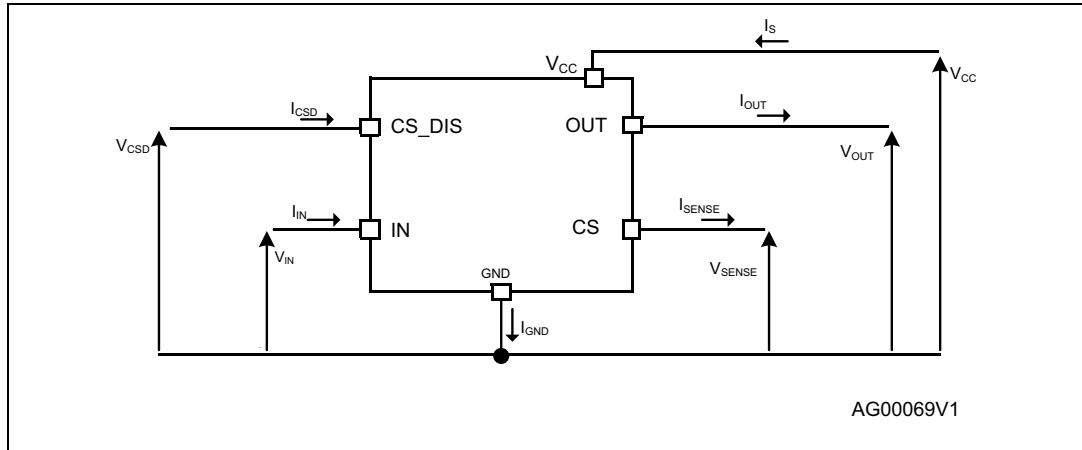


Table 2. Suggested connections for unused and not connected pins

Connection / pin	Current sense	N.C.	Output	Input	CS_DIS
Floating	Not allowed	X	X	X	X
To ground	Through 1 KΩ resistor	X	Not allowed	Through 10 KΩ resistor	Through 10 KΩ resistor

2 Electrical specifications

Figure 3. Current and voltage conventions



2.1 Absolute maximum ratings

Stressing the device above the ratings listed in the “Absolute maximum ratings” tables may cause permanent damage to the device. These are stress ratings only and operation of the device at these or any other conditions above those indicated in the Operating sections of this specification is not implied. Exposure to the conditions in this section for extended periods may affect device reliability. Refer also to the STMicroelectronics SURE Program and other relevant quality documents.

Table 3. Absolute maximum ratings

Symbol	Parameter	Value	Unit
V_{CC}	DC supply voltage	28	V
V_{CCPK}	Transient supply voltage ($T < 400 \text{ ms}$, $R_{LOAD} > 0.5 \Omega$)	41	V
$-V_{CC}$	Reverse DC supply voltage	16	V
I_{OUT}	DC output current	Internally limited	A
$-I_{OUT}$	Reverse DC output current	60	A
I_{IN}	DC input current	-1 to 10	mA
I_{CSD}	DC current sense disable input current	-1 to 10	mA
$V_{CSSENSE}$	Current sense maximum voltage	$V_{CC}-41$ $+V_{CC}$	V V
E_{MAX}	Maximum switching energy (single pulse) ($L = 1.4 \text{ mH}$; $R_L = 0 \Omega$; $V_{bat} = 13.5 \text{ V}$; $T_{jstart} = 150 \text{ }^\circ\text{C}$; $I_{OUT} = I_{limL}(\text{Typ.})$)	600	mJ

Table 3. Absolute maximum ratings (continued)

Symbol	Parameter	Value	Unit
V _{ESD}	Electrostatic discharge (Human Body Model: R = 1.5 K Ω ; C = 100 pF)		
	– Input	4000	V
	– Current sense	2000	
	– CS_DIS	4000	
	– Output	5000	
– V _{CC}	5000		
V _{ESD}	Charge device model (CDM-AEC-Q100-011)	750	V
T _j	Junction operating temperature	-40 to 150	°C
T _{stg}	Storage temperature	-55 to 150	°C

2.2 Thermal data

Table 4. Thermal data

Symbol	Parameter	Maximum value	Unit
R _{thj-case}	Thermal resistance junction-case (MAX) (with one channel ON)	0.4	°C/W
R _{thj-amb}	Thermal resistance junction-ambient	See Figure 36	°C/W

2.3 Electrical characteristics

$8\text{ V} < V_{CC} < 28\text{ V}$; $-40\text{ °C} < T_j < 150\text{ °C}$, unless otherwise specified.

Table 5. Power section

Symbol	Parameter	Test conditions	Min.	Typ.	Max.	Unit
V_{CC}	Operating supply voltage		4.5	13	28	V
V_{USD}	Undervoltage shutdown			3.5	4.5	V
$V_{USDhyst}$	Undervoltage shutdown hysteresis			0.5		V
R_{ON}	On-state resistance	$I_{OUT} = 10\text{ A}$; $T_j = 25\text{ °C}$		5		m Ω
		$I_{OUT} = 10\text{ A}$; $T_j = 150\text{ °C}$			10	m Ω
		$I_{OUT} = 10\text{ A}$; $V_{CC} = 5\text{ V}$; $T_j = 25\text{ °C}$			8	m Ω
$R_{ON REV}$	Reverse battery on-state resistance	$V_{CC} = -13\text{ V}$; $I_{OUT} = -10\text{ A}$; $T_j = 25\text{ °C}$			6	m Ω
V_{clamp}	Clamp voltage	$I_S = 20\text{ mA}$	41	46	52	V
I_S	Supply current	Off-state; $V_{CC} = 13\text{ V}$; $T_j = 25\text{ °C}$; $V_{IN} = V_{OUT} = V_{SENSE} = V_{CSD} = 0\text{ V}$		2 ⁽¹⁾	5 ⁽¹⁾	μA
		On-state; $V_{CC} = 13\text{ V}$; $V_{IN} = 5\text{ V}$; $I_{OUT} = 0\text{ A}$		3.5	6.5	mA
$I_{L(off1)}$	Off-state output current ⁽²⁾	$V_{IN}=V_{OUT}=0\text{V}$; $V_{CC}=13\text{V}$; $T_j=25\text{°C}$	0	0.01	3	μA
		$V_{IN}=V_{OUT}=0\text{V}$; $V_{CC}=13\text{V}$; $T_j=125\text{°C}$	0		5	μA

1. PowerMOS leakage included.

2. For each channel.

Table 6. Switching ($V_{CC} = 13\text{ V}$; $T_j = 25\text{ °C}$)

Symbol	Parameter	Test conditions	Min.	Typ.	Max.	Unit
$t_{d(on)}$	Turn-on delay time	$R_L = 1.3\ \Omega$ (see Figure 6)	—	35	—	μs
$t_{d(off)}$	Turn-off delay time	$R_L = 1.3\ \Omega$ (see Figure 6)	—	20	—	μs
$(dV_{OUT}/dt)_{on}$	Turn-on voltage slope	$R_L = 1.3\ \Omega$	—	See Figure 27	—	V/ μs
$(dV_{OUT}/dt)_{off}$	Turn-off voltage slope	$R_L = 1.3\ \Omega$	—	See Figure 28	—	V/ μs
W_{ON}	Switching energy losses during t_{won}	$R_L = 1.3\ \Omega$ (see Figure 6)	—	2.5	—	mJ
W_{OFF}	Switching energy losses during t_{woff}	$R_L = 1.3\ \Omega$ (see Figure 6)	—	1.2	—	mJ

Table 7. Logic inputs

Symbol	Parameter	Test conditions	Min.	Typ.	Max.	Unit
V_{IL}	Input low level voltage				0.9	V
I_{IL}	Low level input current	$V_{IN} = 0.9\text{ V}$	1			μA
V_{IH}	Input high level voltage		2.1			V
I_{IH}	High level input current	$V_{IN} = 2.1\text{ V}$			10	μA
$V_{I(hyst)}$	Input hysteresis voltage		0.25			V
V_{ICL}	Input clamp voltage	$I_{IN} = 1\text{ mA}$	5.5		7	V
		$I_{IN} = -1\text{ mA}$		-0.7		V
V_{CSDL}	CS_DIS low level voltage				0.9	V
I_{CSDL}	Low level CS_DIS current	$V_{CSD} = 0.9\text{ V}$	1			μA
V_{CSDH}	CS_DIS high level voltage		2.1			V
I_{CSDH}	High level CS_DIS current	$V_{CSD} = 2.1\text{ V}$			10	μA
$V_{CSD(hyst)}$	CS_DIS hysteresis voltage		0.25			V
V_{CSCL}	CS_DIS clamp voltage	$I_{CSD} = 1\text{ mA}$	5.5		7	V
		$I_{CSD} = -1\text{ mA}$		-0.7		V

Table 8. Protections and diagnostics⁽¹⁾

Symbol	Parameter	Test conditions	Min.	Typ.	Max.	Unit
I_{limH}	DC short circuit current	$V_{CC} = 13\text{ V}$	70	100	140	A
		$5\text{ V} < V_{CC} < 24\text{ V}$			140	A
I_{limL}	Short circuit current during thermal cycling	$V_{CC} = 13\text{ V}; T_R < T_j < T_{TSD}$		25		A
T_{TSD}	Shutdown temperature		150	175	200	$^{\circ}\text{C}$
T_R	Reset temperature		$T_{RS} + 1$	$T_{RS} + 5$		$^{\circ}\text{C}$
T_{RS}	Thermal reset of status		135			$^{\circ}\text{C}$
T_{HYST}	Thermal hysteresis ($T_{TSD} - T_R$)			7		$^{\circ}\text{C}$
V_{DEMAG}	Turn-off output voltage clamp	$I_{OUT} = 2\text{ A}; V_{IN} = 0; L = 6\text{ mH}$	$V_{CC} - 28$	$V_{CC} - 31$	$V_{CC} - 35$	V
V_{ON}	Output voltage drop limitation	$I_{OUT} = 1\text{ A}; T_j = -40\text{ }^{\circ}\text{C} \dots 150\text{ }^{\circ}\text{C}$ (see Figure 8)		25		mV

1. To ensure long term reliability under heavy overload or short circuit conditions, protection and related diagnostic signals must be used together with a proper software strategy. If the device is subjected to abnormal conditions, this software must limit the duration and number of activation cycles.

Table 9. Current sense (8 V < V_{CC} < 18 V)

Symbol	Parameter	Test conditions	Min.	Typ.	Max.	Unit
K ₀	I _{OUT} /I _{SENSE}	I _{OUT} = 5 A; V _{SENSE} = 0.5 V T _j = -40 °C...150 °C	8300	12640	17600	
K ₁	I _{OUT} /I _{SENSE}	I _{OUT} = 10 A; V _{SENSE} = 0.5 V T _j = -40 °C...150 °C T _j = 25 °C...150 °C	9200 9602	13220 13220	17300 16703	
dK ₁ /K ₁ ⁽¹⁾	Current sense ratio drift	I _{OUT} = 10 A; V _{SENSE} = 0.5 V; V _{CSD} = 0 V; T _j = -40 °C...150 °C	-13		13	%
K ₂	I _{OUT} /I _{SENSE}	I _{OUT} = 15 A; V _{SENSE} = 4 V T _j = -40 °C...150 °C T _j = 25 °C...150 °C	9500 10408	13120 13120	16900 15907	
dK ₂ /K ₂ ⁽¹⁾	Current sense ratio drift	I _{OUT} = 15 A; V _{SENSE} = 4 V; V _{CSD} = 0 V; T _j = -40 °C...150 °C	-10		10	%
K ₃	I _{OUT} /I _{SENSE}	I _{OUT} = 25 A; V _{SENSE} = 4 V T _j = -40 °C...150 °C T _j = 25 °C...150 °C	10600 11278	12920 12920	15600 14644	
dK ₃ /K ₃ ⁽¹⁾	Current sense ratio drift	I _{OUT} = 25 A; V _{SENSE} = 4 V; V _{CSD} = 0 V; T _j = -40 °C...150 °C	-7		7	%
I _{SENSE0}	Analog sense leakage current	I _{OUT} = 0 A; V _{SENSE} = 0 V; V _{CSD} = 5 V; V _{IN} = 0 V; T _j = -40 °C...150 °C	0		1	μA
		V _{CSD} = 0 V; V _{IN} = 5 V; T _j = -40 °C...150 °C	0		2	μA
		I _{OUT} = 10 A; V _{SENSE} = 0 V; V _{CSD} = V _{IN} = 5 V	0		1	μA
V _{SENSE}	Max analog sense output voltage	I _{OUT} = 25 A; V _{CSD} = 0 V	5			V
V _{SENSEH} ⁽²⁾	Analog sense output voltage in fault conditions	V _{CC} = 13 V; R _{SENSE} = 10 KΩ		8		V
I _{SENSEH} ⁽²⁾	Analog sense output current in fault conditions	V _{CC} = 13 V; V _{SENSE} = 5 V		7		mA
t _{DSENSE1H}	Delay response time from falling edge of CS_DIS pin	V _{SENSE} < 4 V, 5 A < I _{out} < 25 A I _{SENSE} = 90 % of I _{SENSE max} (see Figure 4)		50	100	μs
t _{DSENSE1L}	Delay response time from rising edge of CS_DIS pin	V _{SENSE} < 4 V, 5 A < I _{out} < 25 A I _{SENSE} = 10 % of I _{SENSE max} (see Figure 4)		5	20	μs

Table 9. Current sense (8 V < V_{CC} < 18 V) (continued)

Symbol	Parameter	Test conditions	Min.	Typ.	Max.	Unit
t _{DSENSE2H}	Delay response time from rising edge of INPUT pin	V _{SENSE} < 4 V, 5 A < I _{out} < 25 A I _{SENSE} = 90 % of I _{SENSE max} (see Figure 4)		110	600	μs
Δt _{DSENSE2H}	Delay response time between rising edge of output current and rising edge of current sense	V _{SENSE} < 4V, I _{SENSE} = 90 % of I _{SENSEMAX} , I _{OUT} = 90 % of I _{OUTMAX} I _{OUTMAX} = 10 (see Figure 7)			300	μs
t _{DSENSE2L}	Delay response time from falling edge of INPUT pin	V _{SENSE} < 4 V, 5 A < I _{out} < 25 A I _{SENSE} = 10 % of I _{SENSE max} (see Figure 4)		100	250	μs

1. Parameter guaranteed by design; it is not tested.
2. Fault conditions includes: power limitation, overtemperature and open-load off-state detection.

Table 10. Open-load detection (8 V < V_{CC} < 18 V)

Symbol	Parameter	Test conditions	Min.	Typ.	Max.	Unit
V _{OL}	Open-load off-state voltage detection threshold	V _{IN} = 0 V, 8 V < V _{CC} < 18 V	2	—	4	V
I _{OL}	Open-load on-state current detection threshold	V _{IN} = 5 V, 8 V < V _{CC} < 18 V I _{SENSE} = 5 μA	10	—	100	mA
t _{DSTKON}	Output short circuit to V _{CC} detection delay at turn off	See Figure 5	180	—	1200	μs
I _{L(off2)}	Off-state output current at V _{OUT} = 4 V	V _{IN} = 0 V; V _{SENSE} = 0 V V _{OUT} rising from 0 V to 4 V	-120	—	0	μA
td_vol	Delay response from output rising edge to V _{SENSE} rising edge in open-load	V _{IN} = 0 V; V _{OUT} = 4 V V _{SENSE} = 90 % of V _{SENSEH}		—	20	μs

Figure 4. Current sense delay characteristics

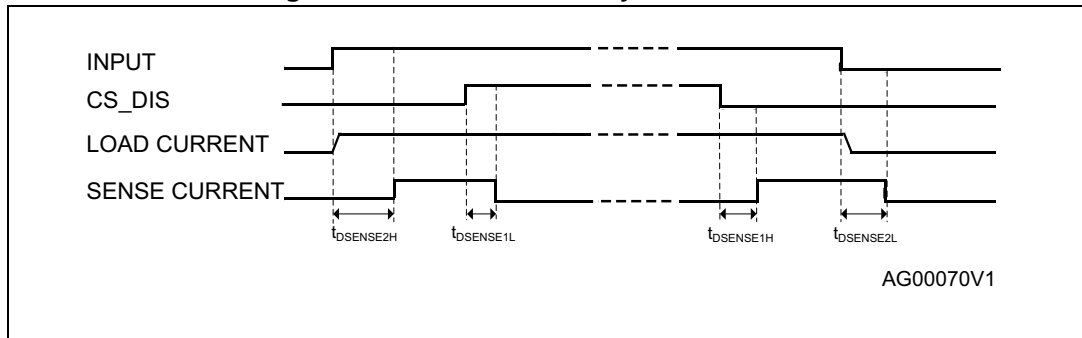


Figure 5. Open-load off-state delay timing

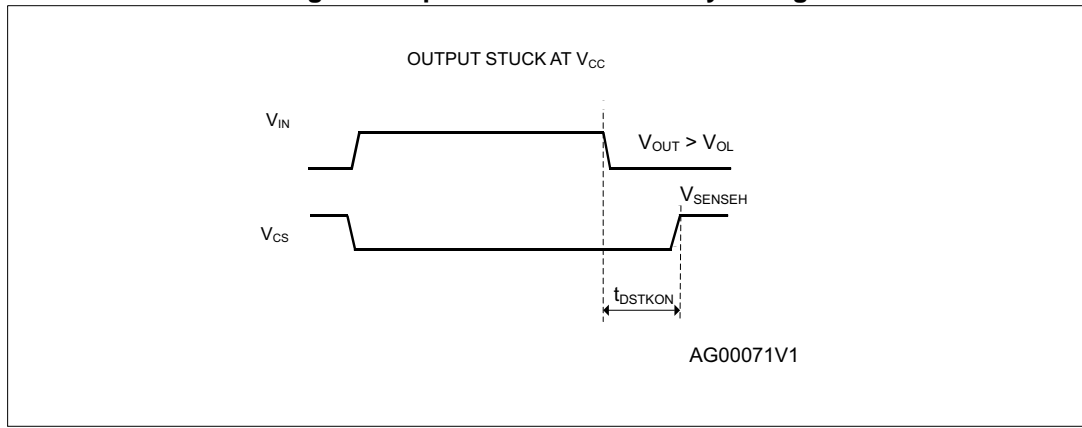


Figure 6. Switching characteristics

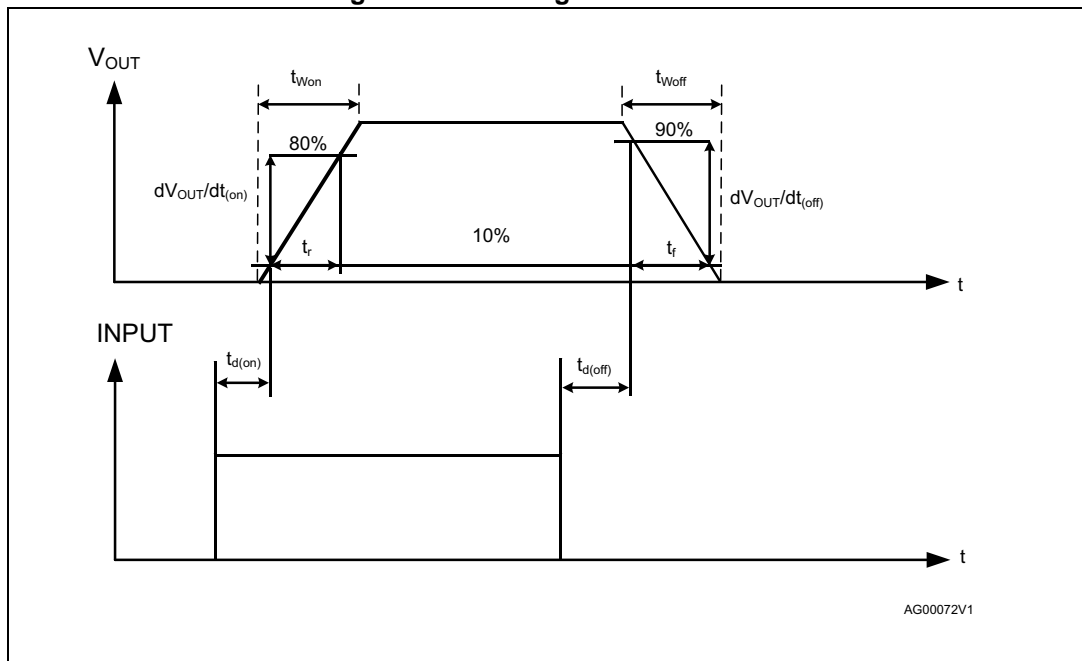


Figure 7. Delay response time between rising edge of output current and rising edge of current sense (CS enabled)

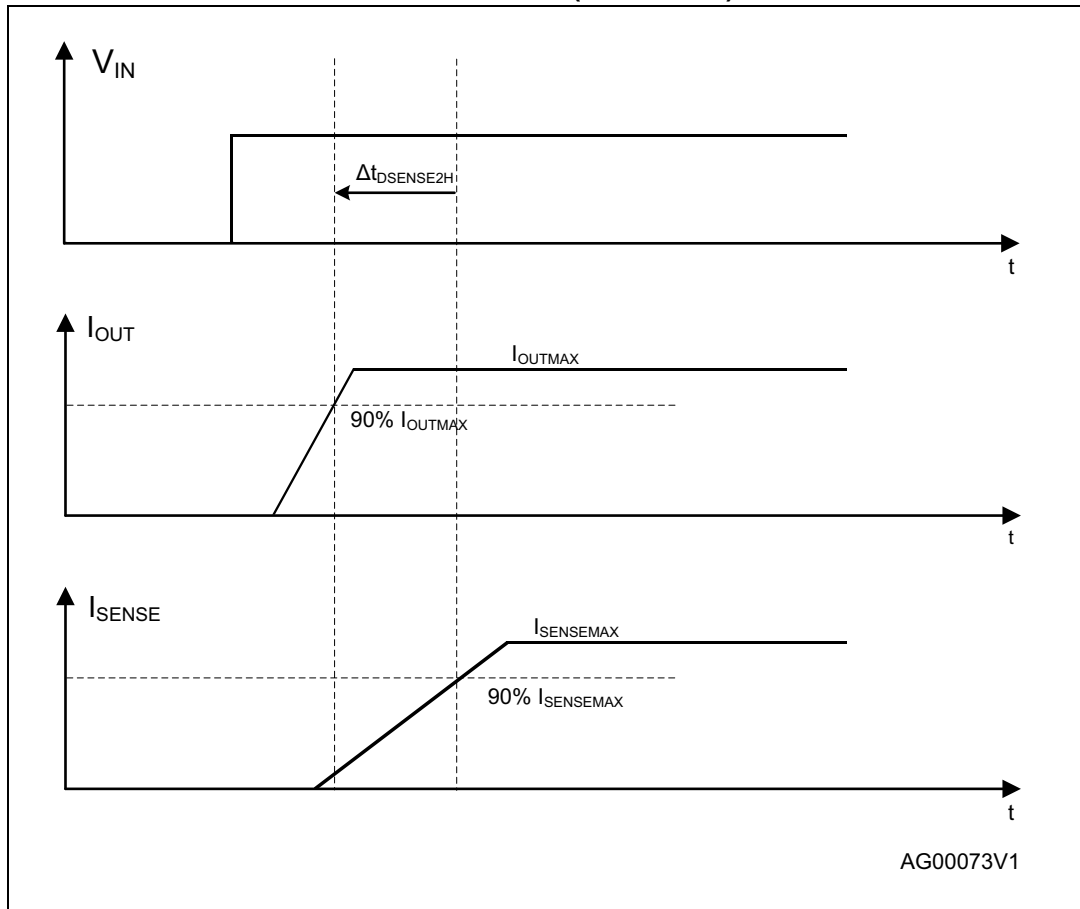


Figure 8. Output voltage drop limitation

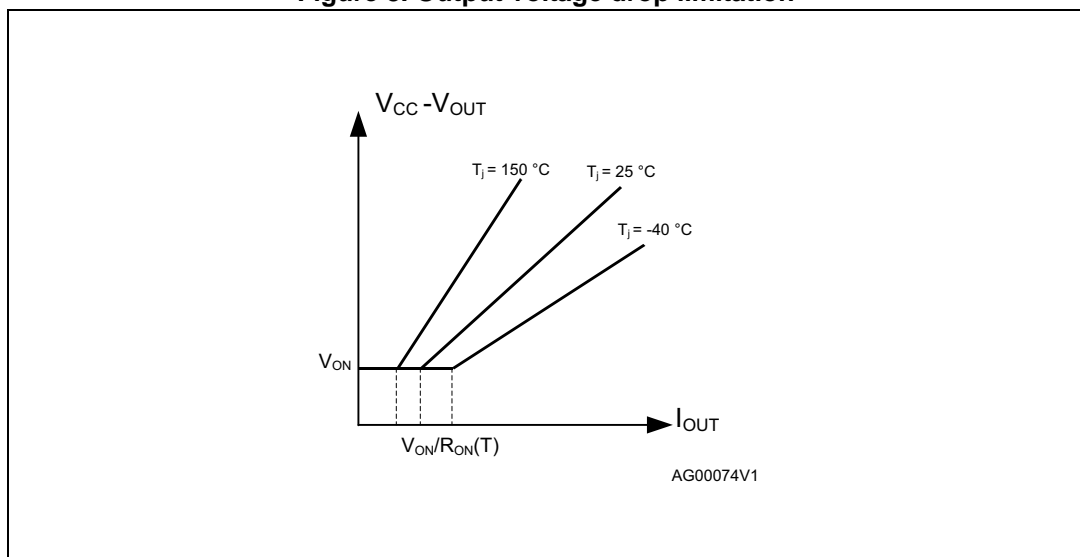


Figure 9. I_{OUT}/I_{SENSE} vs I_{OUT}

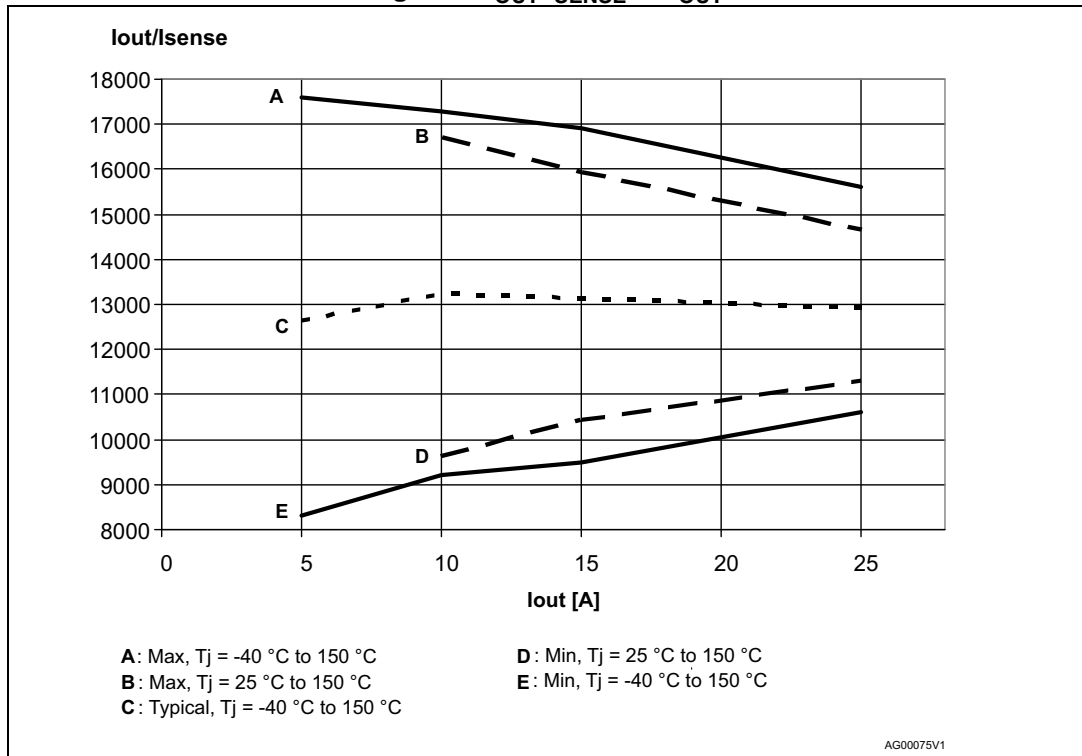
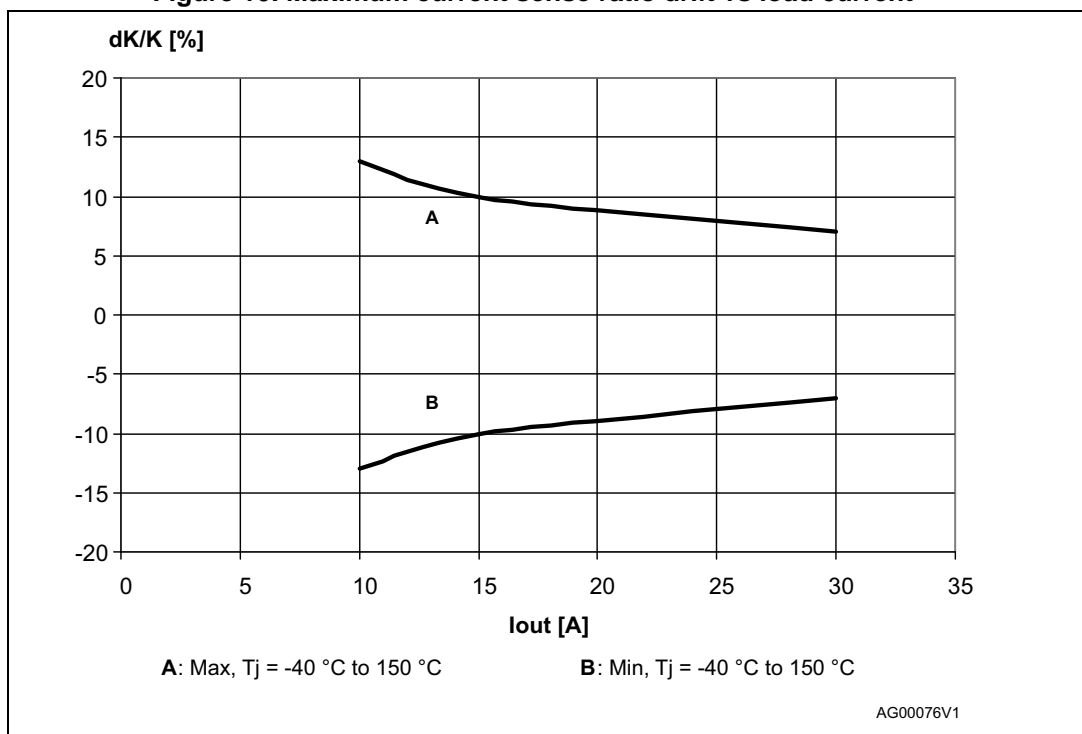


Figure 10. Maximum current sense ratio drift vs load current⁽¹⁾



1. Parameter guaranteed by design; it is not tested.

Table 11. Truth table

Conditions	Input	Output	Sense ($V_{CSD} = 0\text{ V}$) ⁽¹⁾
Normal operation	L	L	0
	H	H	Nominal
Overtemperature	L	L	0
	H	L	V_{SENSEH}
Undervoltage	L	L	0
	H	L	0
Overload	H	X (no power limitation)	Nominal
	H	Cycling (power limitation)	V_{SENSEH}
Short circuit to GND (Power limitation)	L	L	0
	H	L	V_{SENSEH}
Open-load off-state (with external pull up)	L	H	V_{SENSEH}
Short circuit to V_{CC} (external pull up disconnected)	L	H	V_{SENSEH}
	H	H	V_{SENSEH} < Nominal
Negative output voltage clamp	L	L	0

1. If the V_{CSD} is high, the SENSE output is at a high impedance, its potential depends on leakage currents and external circuit.

Table 12. Electrical transient requirements (part 1/3)

ISO 7637-2: 2004(E) Test Pulse	Test levels ⁽¹⁾		Number of pulses or test times	Burst cycle/pulse repetition time		Delays and impedance
	III	IV				
1	-75 V	-100 V	5000 pulses	0.5 s	5 s	2 ms, 10 Ω
2a	+37 V	+50 V	5000 pulses	0.2 s	5 s	50 μs, 2 Ω
3a	-100 V	-150 V	1h	90 ms	100 ms	0.1 μs, 50 Ω
3b	+75 V	+100 V	1h	90 ms	100 ms	0.1 μs, 50 Ω
4	-6 V	-7 V	1 pulse			100 ms, 0.01 Ω
5b ⁽²⁾	+65 V	+87 V	1 pulse			400 ms, 2 Ω

1. The above test levels must be considered referred to $V_{CC} = 13.5$ V except for pulse 5b.
2. Valid in case of external load dump clamp: 40V maximum referred to ground. The protection strategy allows PowerMOS to be cyclically switched on during load dump, so distributing the load dump energy along the time and to transfer a part of it to the load.

Table 13. Electrical transient requirements (part 2/3)

ISO 7637-2: 2004(E) Test Pulse	Test level results ⁽¹⁾	
	III	IV
1	C	C
2a	C	C
3a	C	C
3b	C	C
4	C	C
5b ⁽²⁾⁽³⁾	C	C

1. The above test levels must be considered referred to $V_{CC} = 13.5$ V except for pulse 5b.
2. Valid in case of external load dump clamp: 40V maximum referred to ground. The protection strategy allows PowerMOS to be cyclically switched on during load dump, so distributing the load dump energy along the time and to transfer a part of it to the load.
3. Suppressed load dump (pulse 5b) is withstood with a minimum load connected as specified in [Table 3: Absolute maximum ratings](#).

Table 14. Electrical transient requirements (part 3/3)

Class	Contents
C	All functions of the device are performed as designed after exposure to disturbance.
E	One or more functions of the device are not performed as designed after exposure to disturbance and cannot be returned to proper operation without replacing the

2.4 Waveforms

Figure 11. Normal operation

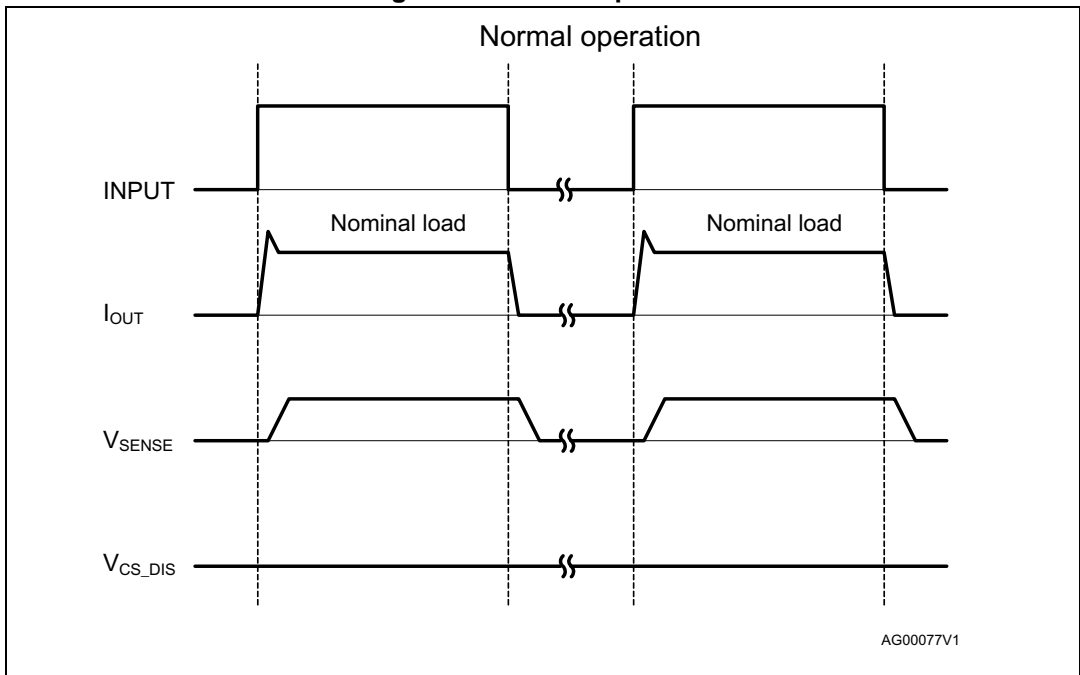


Figure 12. Overload or short to GND

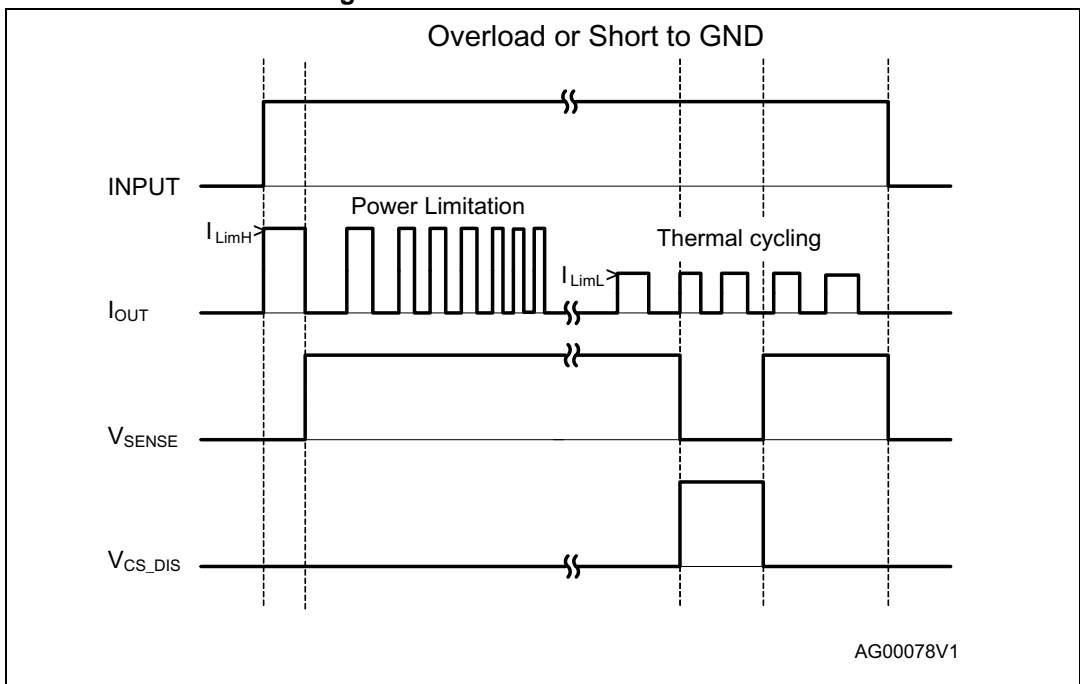


Figure 13. Intermittent overload

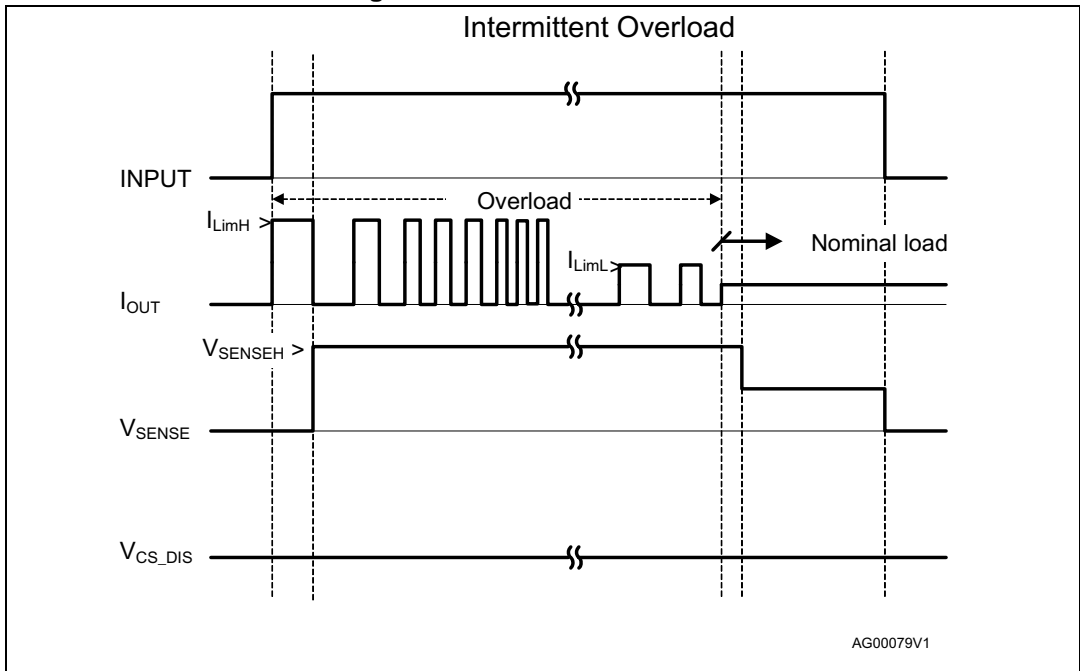


Figure 14. Off-state open-load with external circuitry

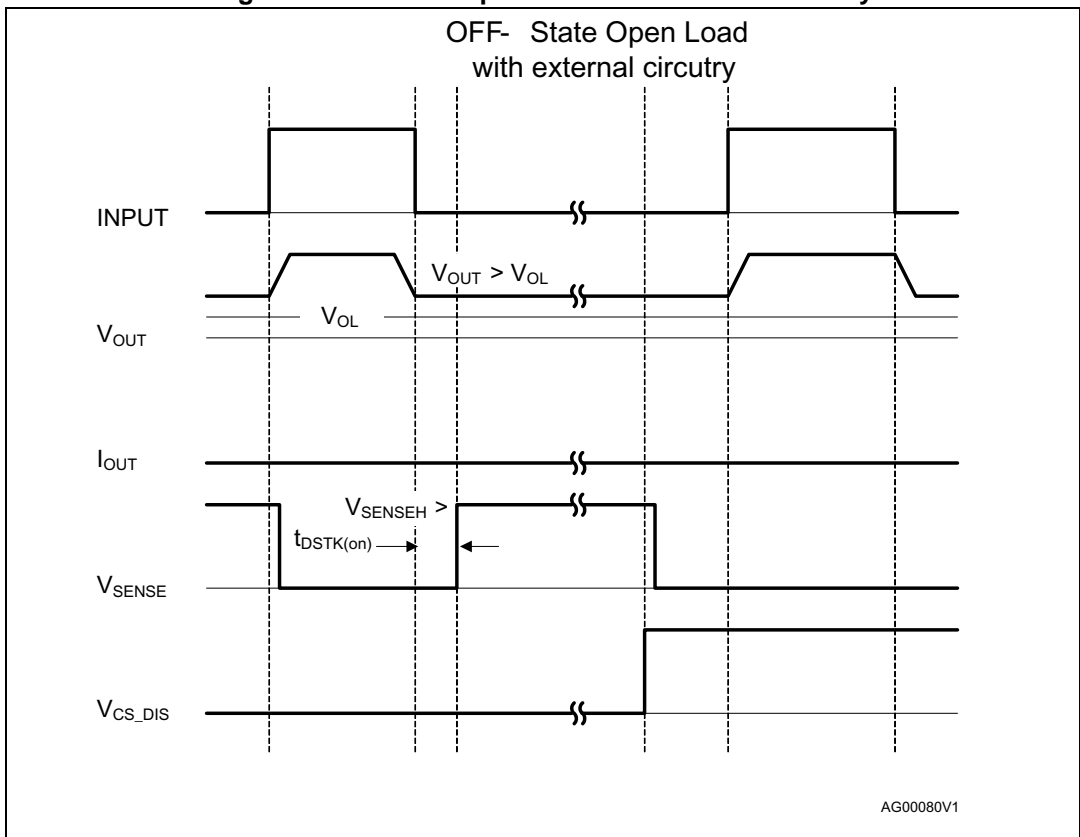


Figure 15. Short to V_{CC}

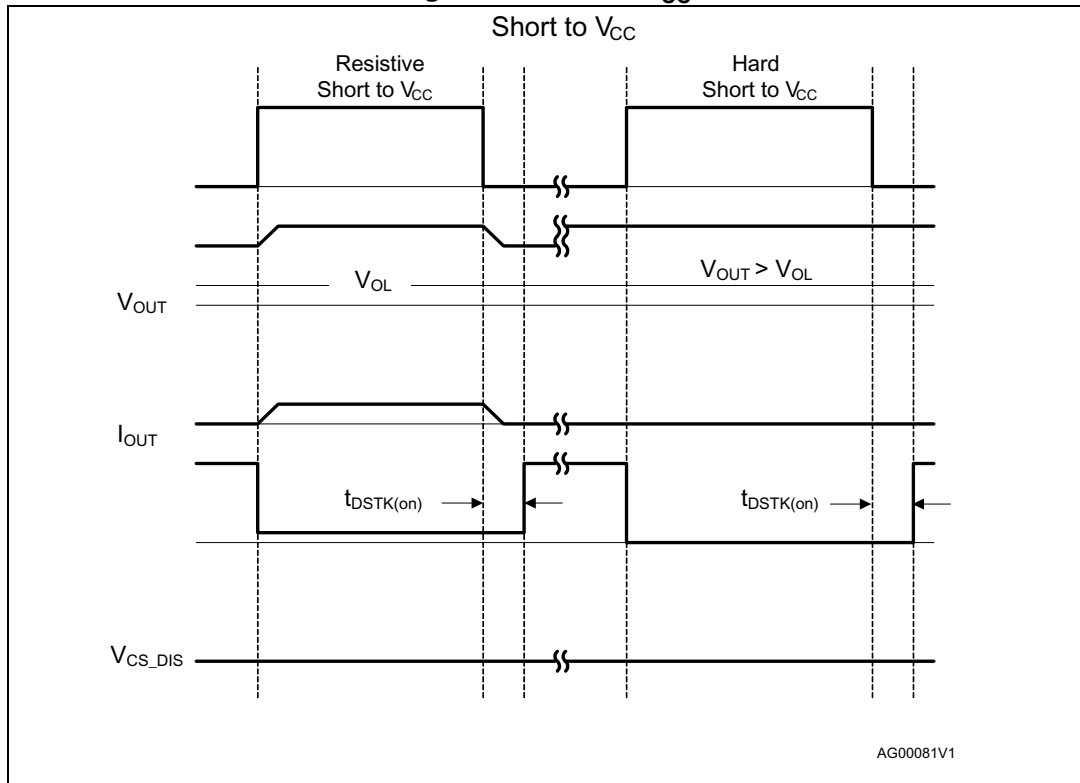
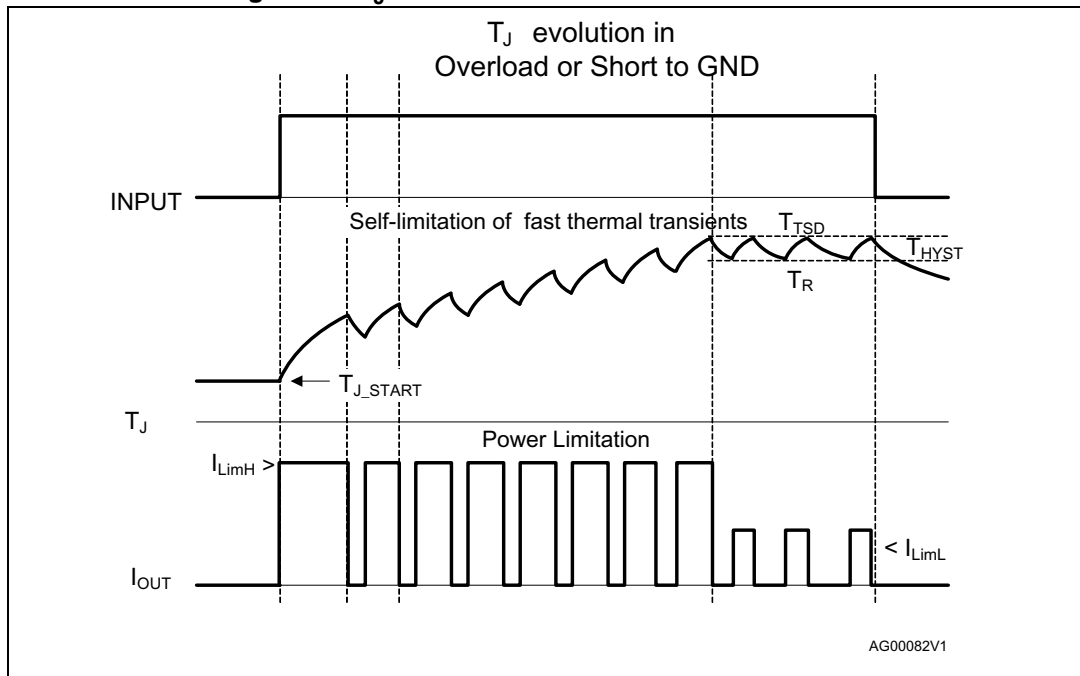


Figure 16. T_J evolution in overload or short to GND



2.5 Electrical characteristics curves

Figure 17. Off-state output current

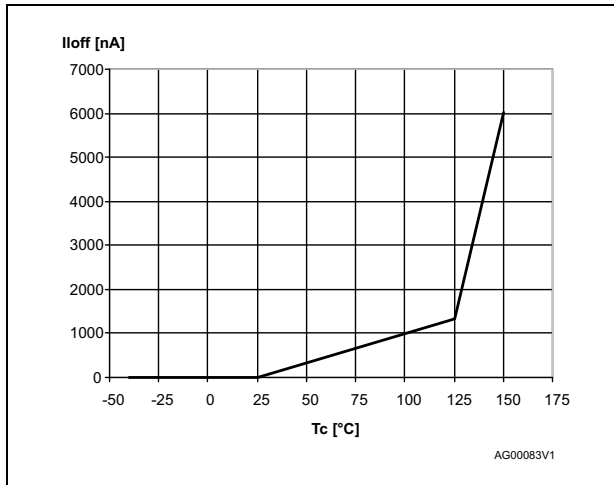


Figure 18. High level input current

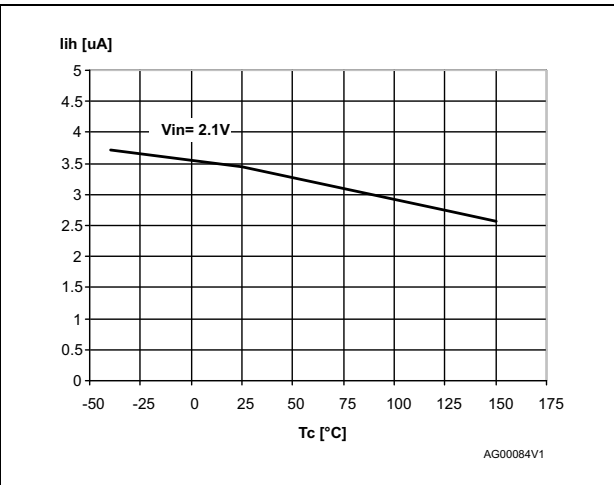


Figure 19. Input clamp voltage

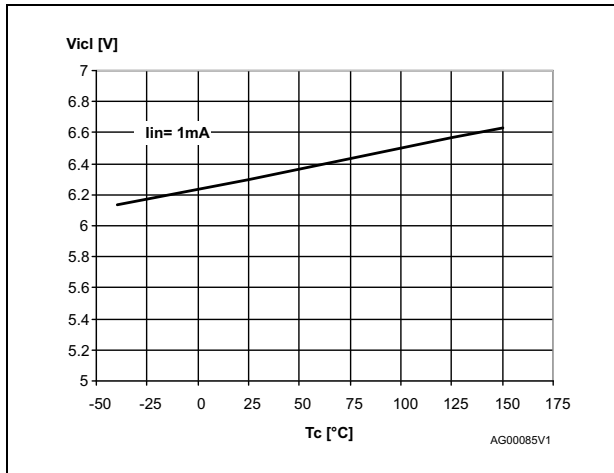


Figure 20. Input high level voltage

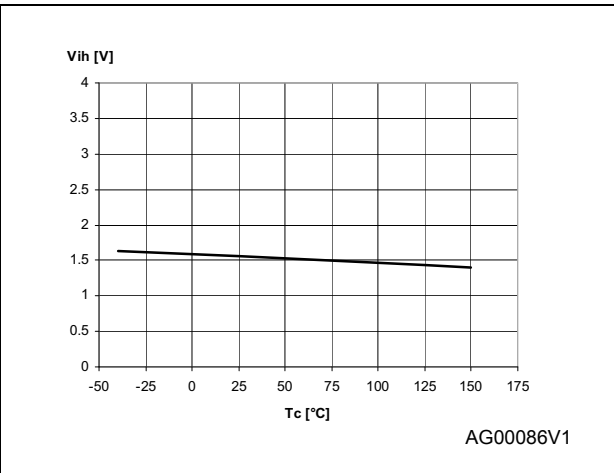


Figure 21. Input low level voltage

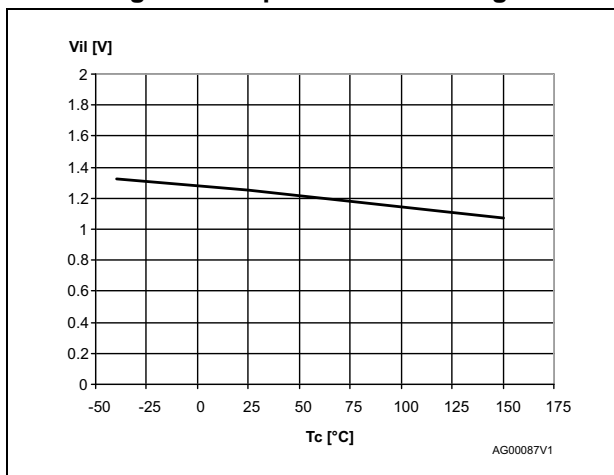


Figure 22. Input hysteresis voltage

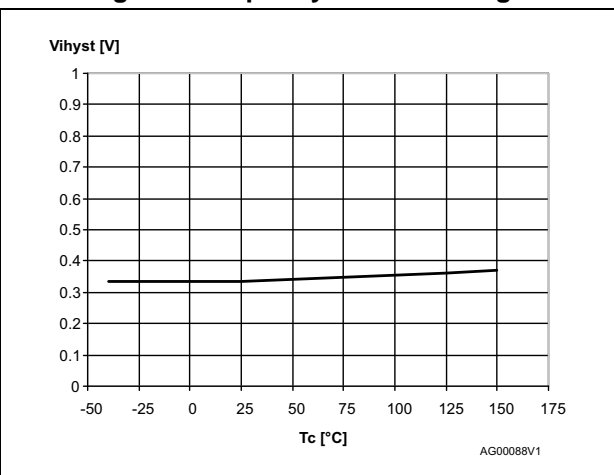


Figure 23. On-state resistance vs T_{case}

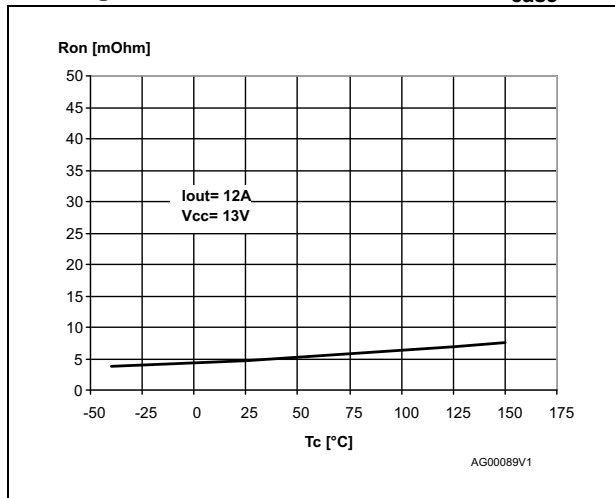


Figure 24. On-state resistance vs V_{CC}

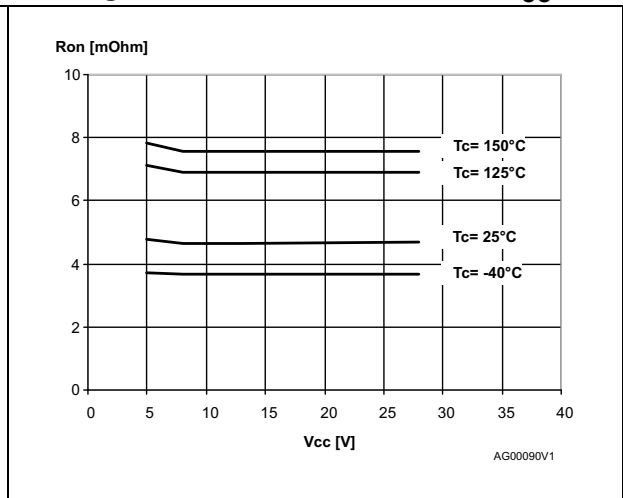


Figure 25. Undervoltage shutdown

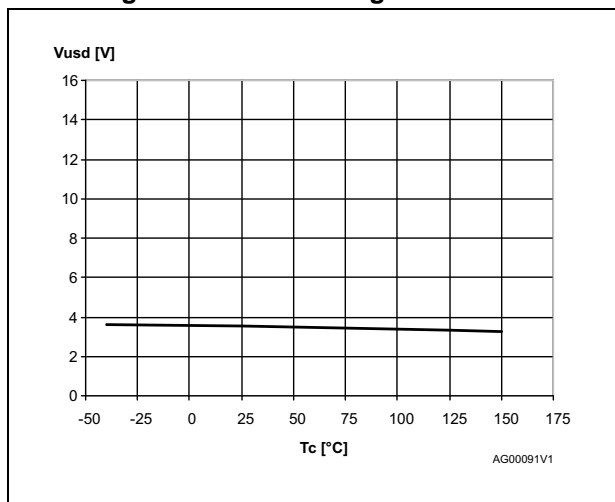


Figure 26. I_{LIMH} vs T_{case}

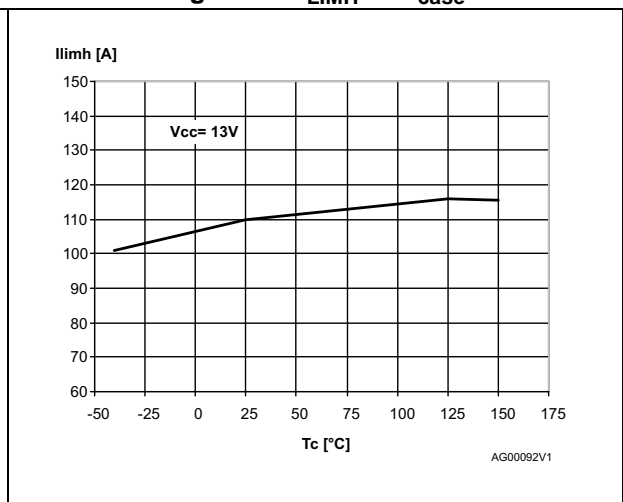


Figure 27. Turn-on voltage slope

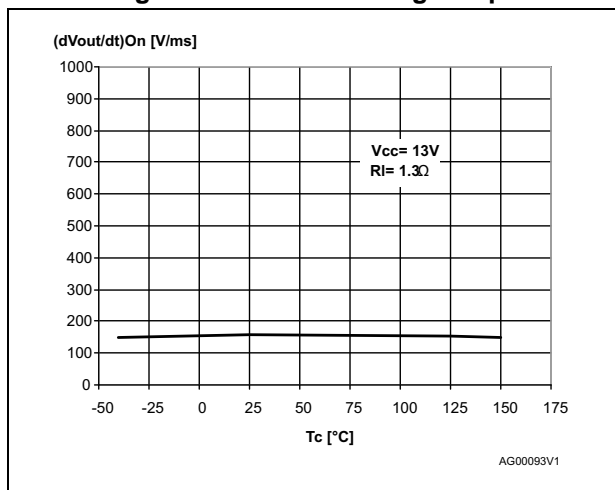


Figure 28. Turn-off voltage slope

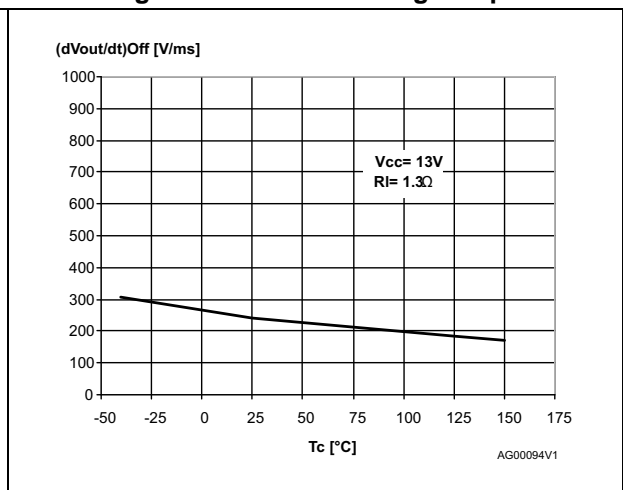


Figure 29. CS_DIS clamp voltage

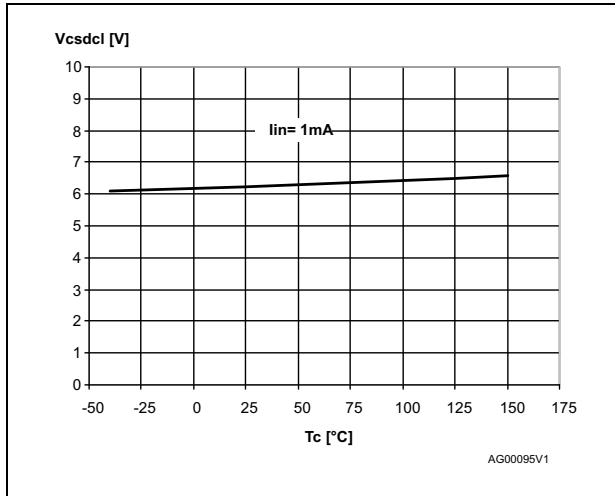


Figure 30. Low level CS_DIS voltage

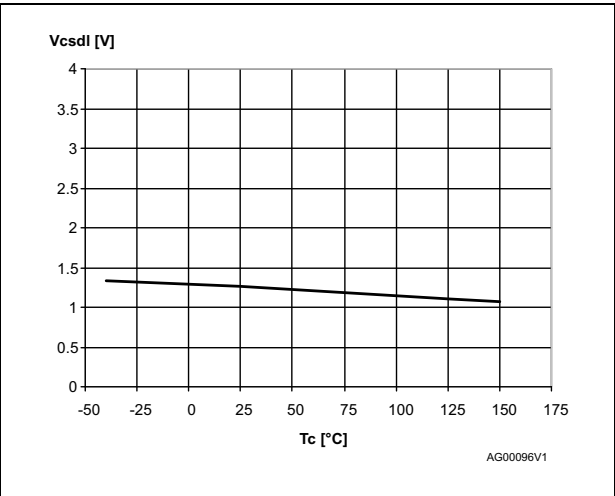
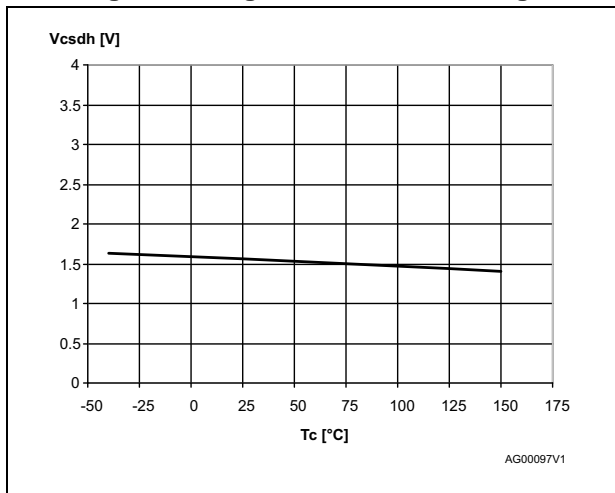
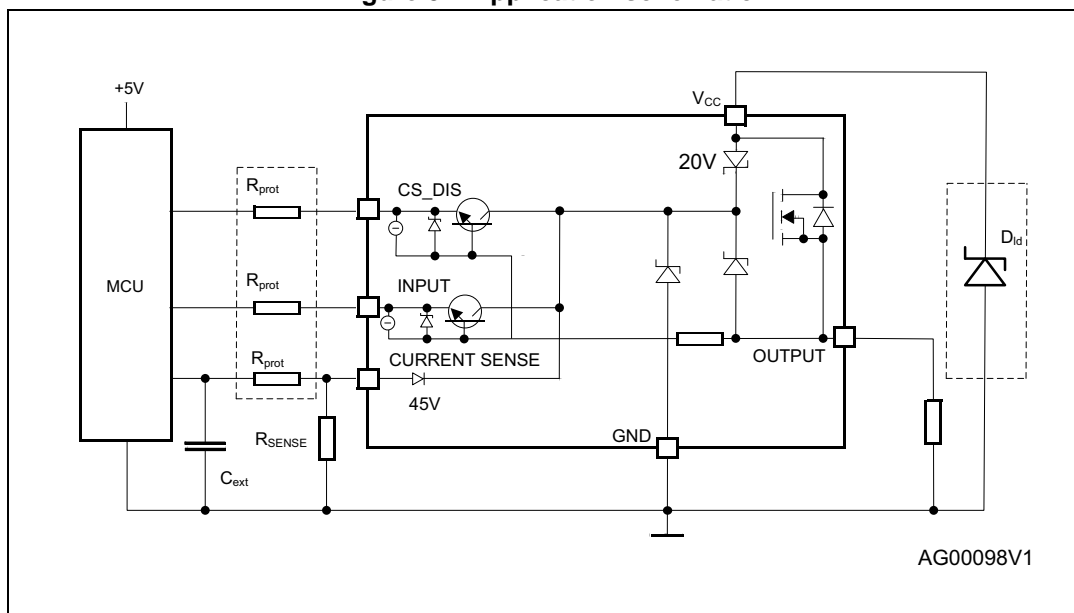


Figure 31. High level CS_DIS voltage



3 Application information

Figure 32. Application schematic



Note: Channel 2 has the same internal circuit as channel 1.

3.1 Load dump protection

D_{id} is necessary (voltage transient suppressor) if the load dump peak voltage exceeds the V_{CC} max DC rating. The same applies if the device is subject to transients on the V_{CC} line that are greater than the ones shown in the ISO 7637-2 2004 (E) table.

3.2 MCU I/Os protection

When negative transients are present on the V_{CC} line, the control pins are pulled negative to approximately -1.5 V. ST suggests to insert a resistor (R_{prot}) in line to prevent the microcontroller I/O pins from latching-up.

The value of these resistors is a compromise between the leakage current of microcontroller and the current required by the HSD I/Os (Input levels compatibility) with the latch-up limit of microcontroller I/Os.

Equation 1

$$-V_{CCpeak}/I_{latchup} \leq R_{prot} \leq (V_{OH\mu C} - V_{IH}) / I_{IHmax}$$

Calculation example:

For V_{CCpeak} = -1.5 V and I_{latchup} ≥ 20 mA; V_{OHμC} ≥ 4.5 V

75 Ω ≤ R_{prot} ≤ 240 kΩ.

Recommended values: R_{prot} = 10 kΩ, C_{EXT} = 10 nF.

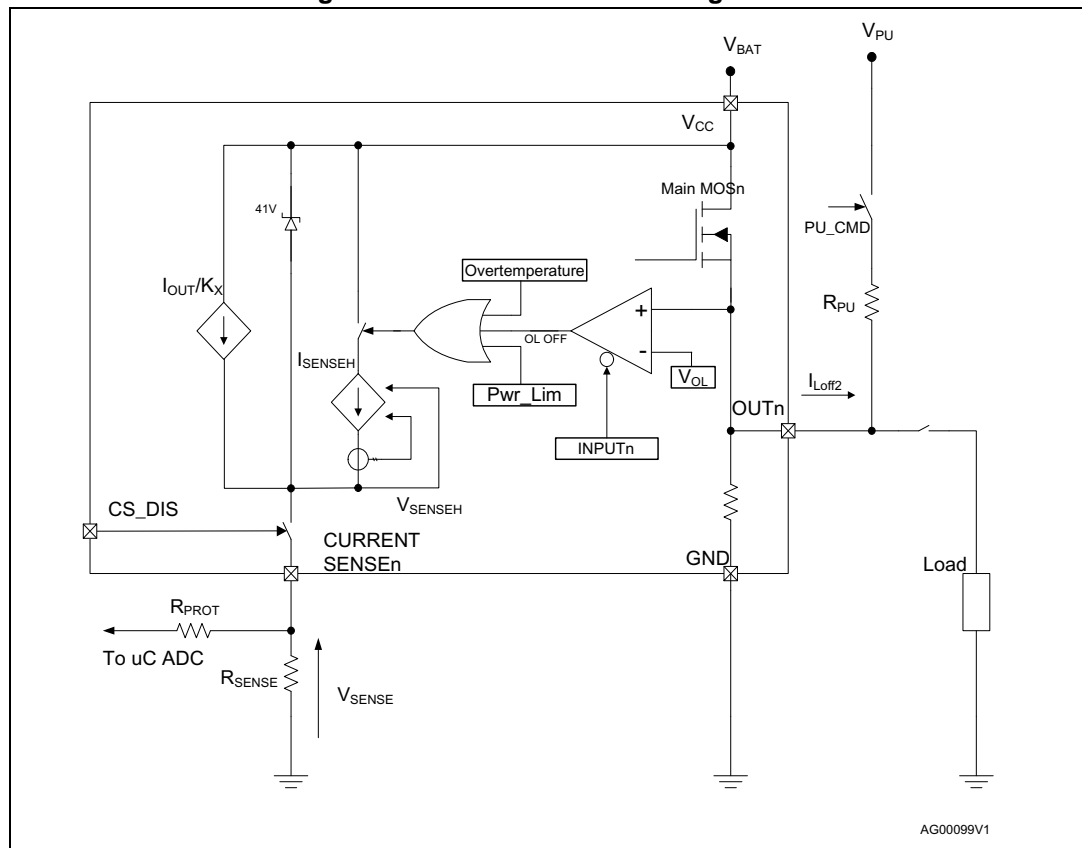
3.3 Current sense and diagnostic

The current sense pin performs a double function (see [Figure 33: Current sense and diagnostic](#)):

- **Current mirror of the load current in normal operation**, delivering a current proportional to the load one according to a known ratio K_X .
The current I_{SENSE} can be easily converted to a voltage V_{SENSE} by means of an external resistor R_{SENSE} . Linearity between I_{OUT} and V_{SENSE} is ensured up to 5V minimum (see parameter V_{SENSE} in [Table 9: Current sense \(8 V < VCC < 18 V\)](#)). The current sense accuracy depends on the output current (refer to current sense electrical characteristics [Table 9: Current sense \(8 V < VCC < 18 V\)](#)).
- **Diagnostic flag in fault conditions**, delivering a fixed voltage V_{SENSEH} up to a maximum current I_{SENSEH} in case of the following fault conditions (refer to [Truth table](#)):
 - Power limitation activation
 - Overtemperature
 - Short to V_{CC} in off-state
 - Open-load in off-state with additional external components.

A logic level high on CS_DIS pin sets at the same time all the current sense pins of the device in a high impedance state, thus disabling the current monitoring and diagnostic detection. This feature allows multiplexing of the microcontroller analog inputs by sharing of sense resistance and ADC line among different devices.

Figure 33. Current sense and diagnostic



3.3.1 Short to V_{CC} and off-state open-load detection

Short to V_{CC}

A short circuit between V_{CC} and output is indicated by the relevant current sense pin set to V_{SENSEH} during the device off-state. Small or no current is delivered by the current sense during the on-state depending on the nature of the short circuit.

Off-state open-load with external circuitry

Detection of an open-load in off mode requires an external pull-up resistor R_{PU} connecting the output to a positive supply voltage V_{PU} .

It is preferable V_{PU} to be switched off during the module standby mode in order to avoid the overall standby current consumption to increase in normal conditions, i.e. when load is connected.

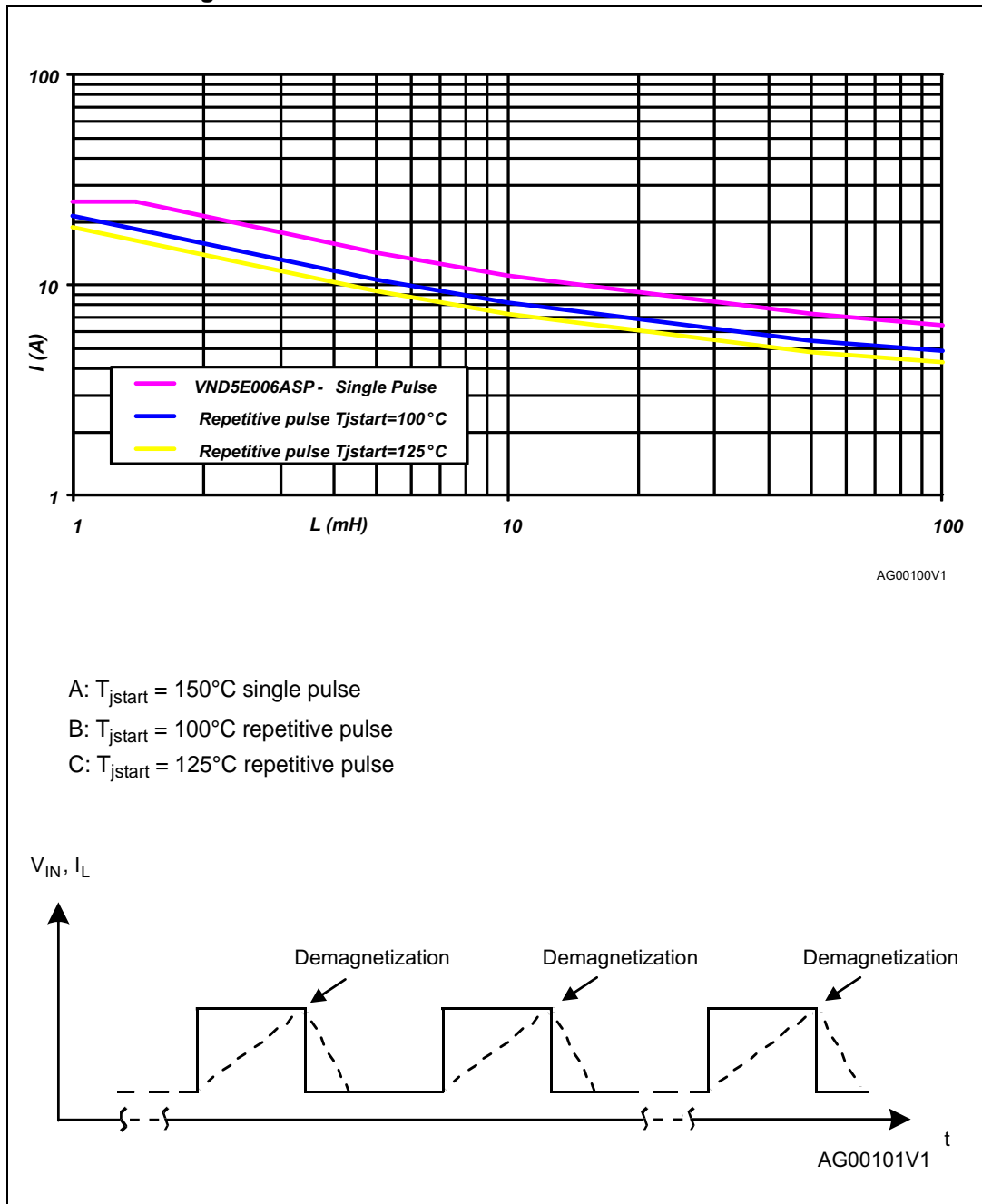
For proper open-load detection in off-state, the external pull-up resistor must be selected according to the following formula:

$$V_{OUT}|_{Pull-up_ON} = \frac{R_{PD} \cdot V_{PU} - R_{PU} \cdot R_{PD} \cdot I_{L(off2)}}{R_{PU} + R_{PD}} > V_{OLmax} = 4V$$

For the values of V_{OLmin} , V_{OLmax} , and $I_{L(off2)}$ see [Table 10: Open-load detection \(8 V < VCC < 18 V\)](#).

3.4 Maximum demagnetization energy ($V_{CC} = 13.5\text{ V}$)

Figure 34. Maximum turn-off current versus inductance

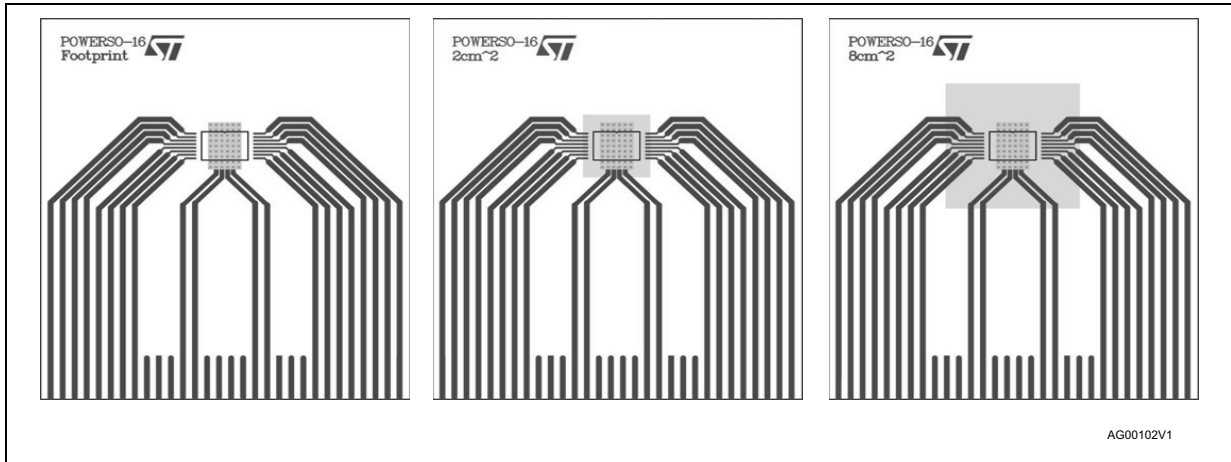


Note: Values are generated with $R_L = 0\ \Omega$.
 In case of repetitive pulses, T_{jstart} (at beginning of each demagnetization) of every pulse must not exceed the temperature specified above for curves A and B.

4 Package and PCB thermal data

4.1 PowerSO-16 thermal data

Figure 35. PowerSO-16 PC board⁽¹⁾



1. Layout condition of R_{th} and Z_{th} measurements (PCB: Double layer, Thermal Vias, FR4 area= 77mm x 86mm, PCB thickness=1.6mm, Cu thickness=70 μ m (front and back side), Copper areas: from minimum pad lay-out to 8cm²).

Figure 36. $R_{thj-amb}$ vs PCB copper area in open box free air condition (one channel ON)

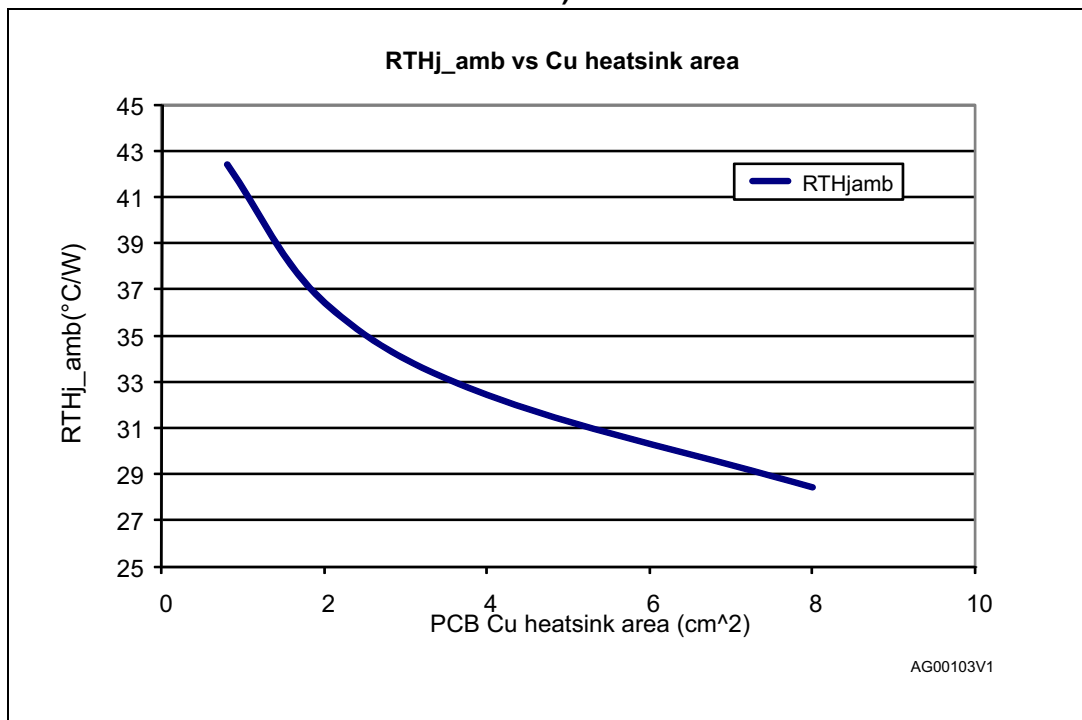


Figure 37. PowerSO-16 thermal impedance junction ambient single pulse (one channel ON)

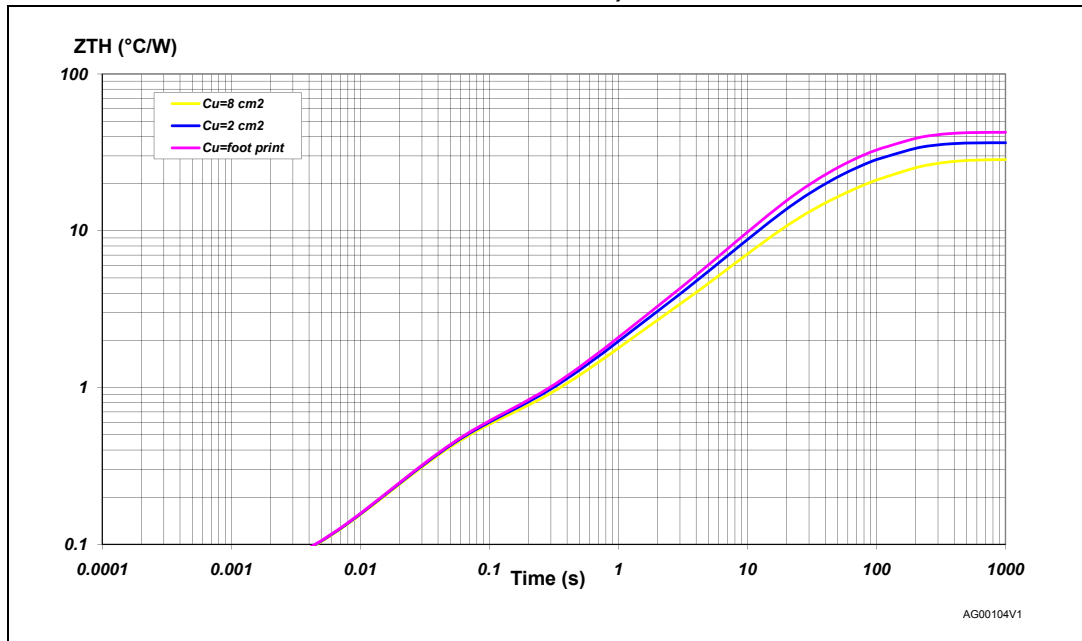
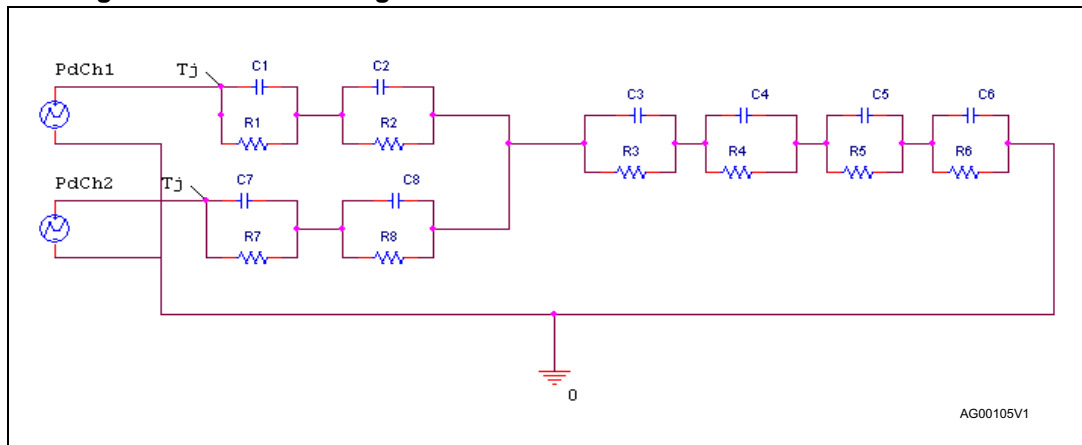


Figure 38. Thermal fitting model of a double channel HSD in PowerSO-16⁽¹⁾



1. The fitting model is a simplified thermal tool and is valid for transient evolutions where the embedded protections (power limitation or thermal cycling during thermal shutdown) are not triggered.

Equation 2: pulse calculation formula

$$Z_{TH\delta} = R_{TH} \cdot \delta + Z_{THtp}(1 - \delta)$$

$$\text{where } \delta = t_p / T$$

Table 15. Thermal parameters

Area/island (cm ²)	Footprint	2	8
R1=R7 (°C/W)	0.05		
R2=R8 (°C/W)	0.4		
R3 (°C/W)	1		
R4 (°C/W)	7		
R5 (°C/W)	12	10	8
R6 (°C/W)	22	18	12
C1=C7 (W.s/°C)	0.01		
C2=C8 (W.s/°C)	0.1		
C3 (W.s/°C)	1		
C4 (W.s/°C)	2		
C5 (W.s/°C)	3	4	7
C6 (W.s/°C)	5	6	12

5 Package information

5.1 ECOPACK® packages

In order to meet environmental requirements, ST offers these devices in different grades of ECOPACK® packages, depending on their level of environmental compliance. ECOPACK® specifications, grade definitions and product status are available at: www.st.com. ECOPACK® is an ST trademark.

5.2 PowerSO-16 mechanical data

Figure 39. PowerSO-16 package dimensions

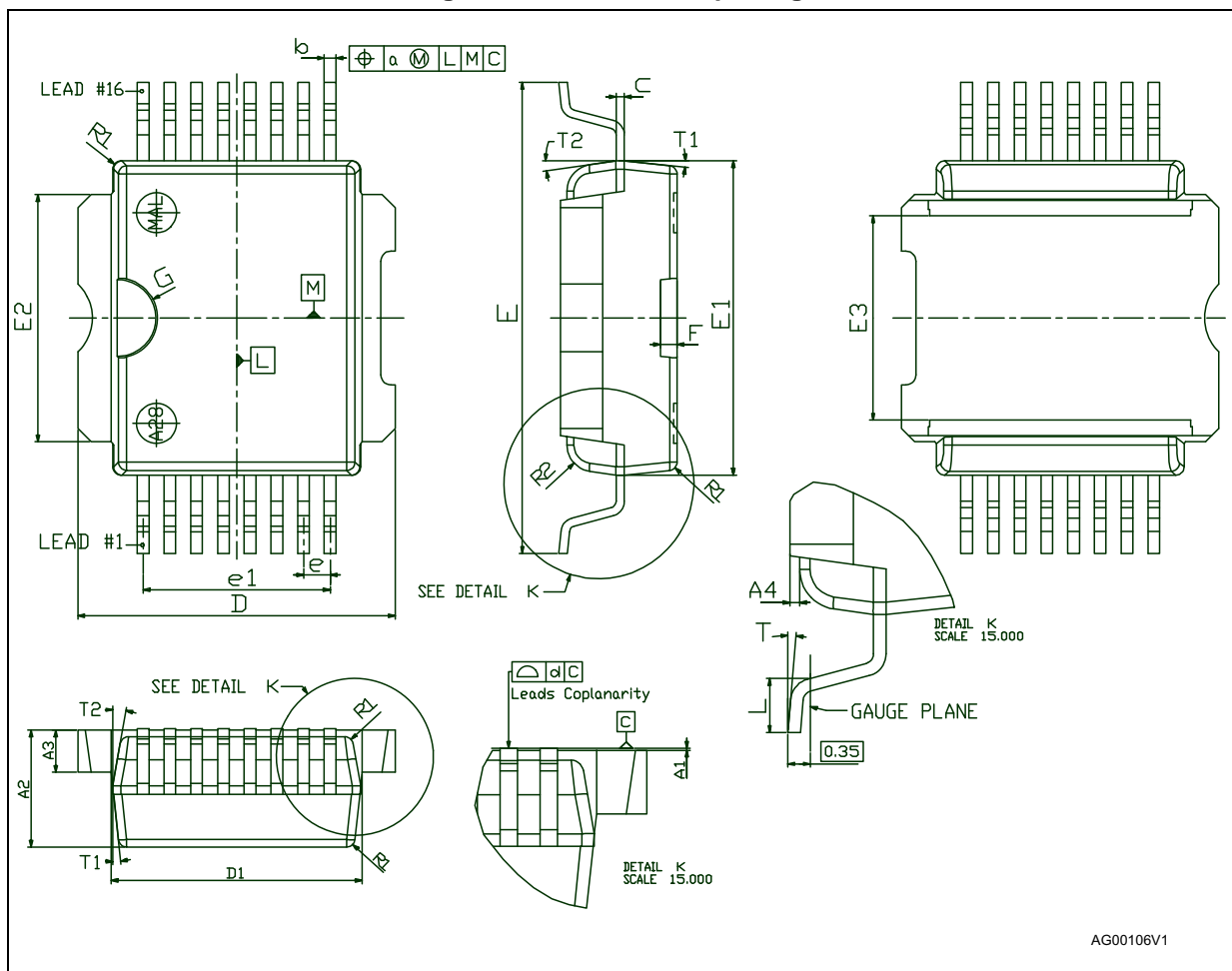


Table 16. PowerSO-16 mechanical data

Dim.	mm		
	Min.	Typ.	Max.
A1	0	0.05	0.1
A2	3.4	3.5	3.6
A3	1.2	1.3	1.4
A4	0.15	0.2	0.25
a		0.2	
b	0.27	0.35	0.43
c	0.23	0.27	0.32
D	9.4	9.5	9.6
D1	7.4	7.5	7.6
d	0	0.05	0.1
E (1)	13.85	14.1	14.35
E1	9.3	9.4	9.5
E2	7.3	7.4	7.5
E3	5.9	6.1	6.3
e		0.8	
e1		5.6	
F		0.5	
G		1.2	
L	0.8	1	1.1
R1			0.25
R2		0.8	
T	2°	5°	8°
T1	6° (typ.)		
T2	10° (typ.)		

5.3 Packing information

Figure 40. PowerSO-16 tube shipment (no suffix)

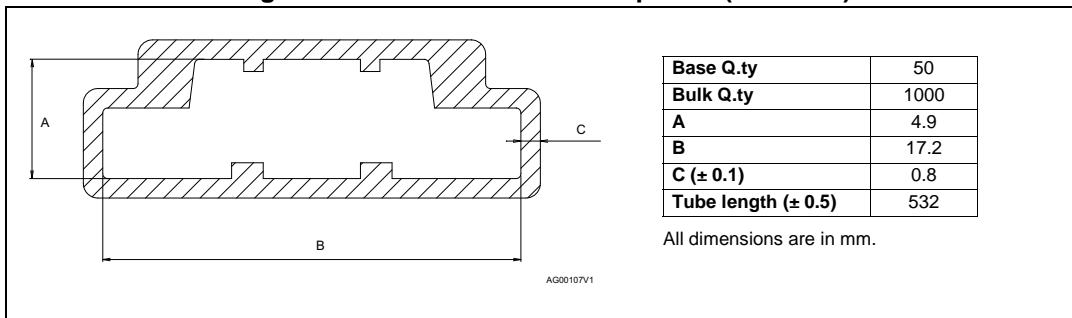


Figure 41. PowerSO-16 tape and reel shipment (suffix “TR”)

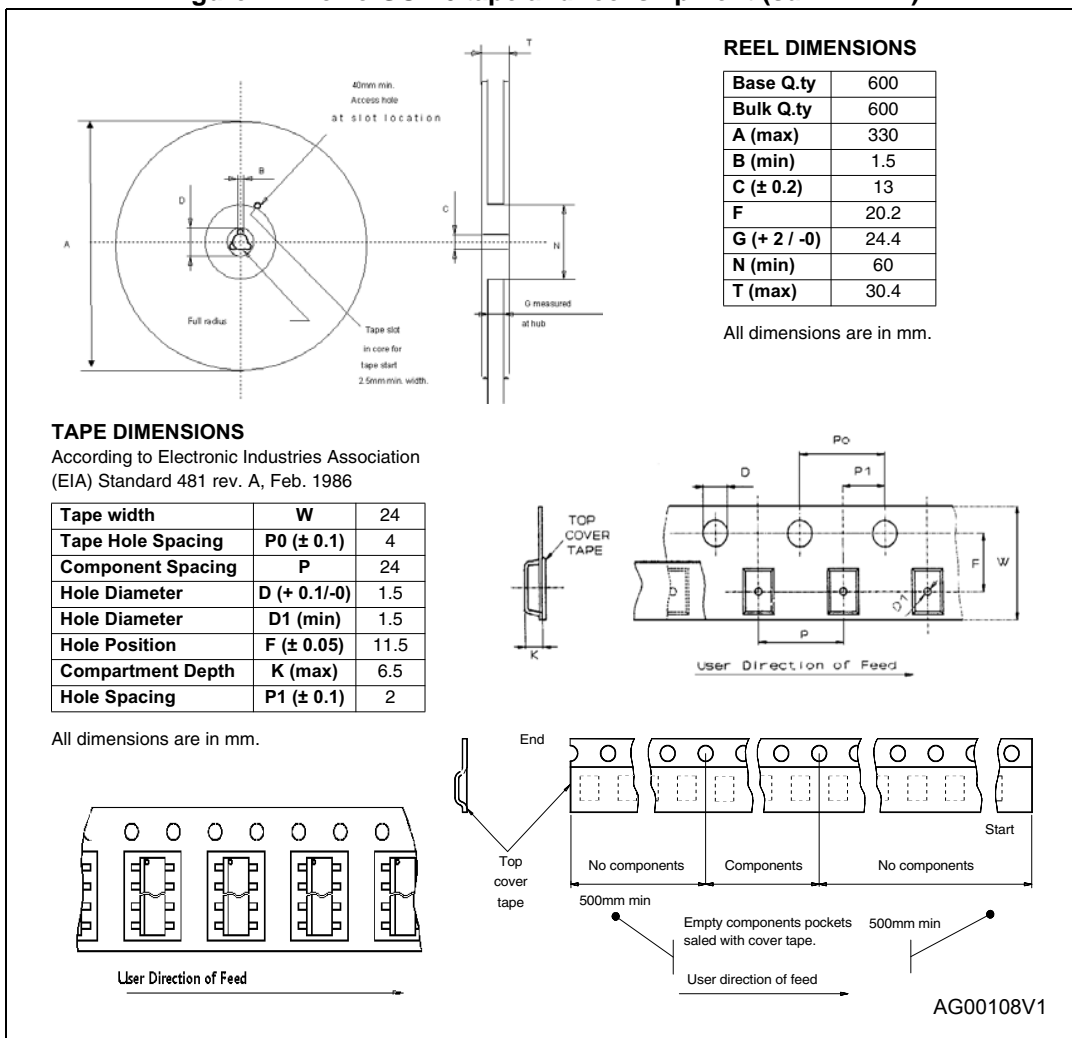
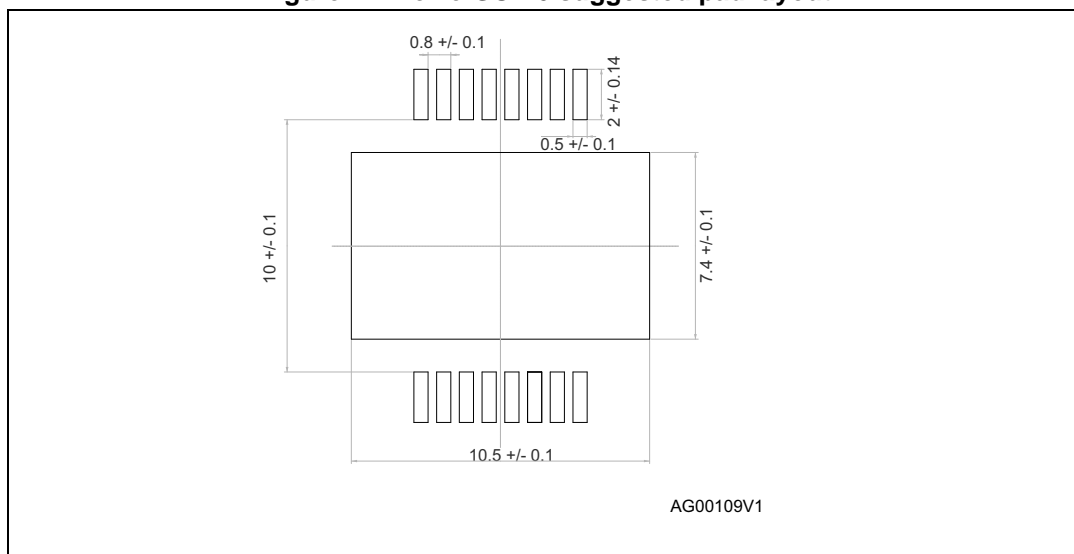


Figure 42. PowerSO-16 suggested pad layout



6 Order codes

Table 17. Device summary

Package	Order codes	
	Tube	Tape and reel
PowerSO-16	VND5E006ASP-E	VND5E006ASPTR-E

7 Revision history

Table 18. Document revision history

Date	Revision	Changes
18-Apr-2010	1	Initial release.
02-Jul-2010	2	Updated <i>Features</i> list.
21-Jul-2010	3	Updated <i>Table 9: Current sense (8 V < VCC < 18 V)</i> .
19-Jan-2011	4	Added <i>Section 3.4: Maximum demagnetization energy (VCC = 13.5 V)</i> <i>Table 3: Absolute maximum ratings:</i> – E _{MAX} : updated value and test condition <i>Table 4: Thermal data</i> – Added R _{thj-case} row
19-Sep-2013	5	Updated Disclaimer.
28-Oct-2013	6	Updated footnote 2 into the <i>Table 12: Electrical transient requirements (part 1/3)</i> and <i>Table 13: Electrical transient requirements (part 2/3)</i> .

Please Read Carefully:

Information in this document is provided solely in connection with ST products. STMicroelectronics NV and its subsidiaries ("ST") reserve the right to make changes, corrections, modifications or improvements, to this document, and the products and services described herein at any time, without notice.

All ST products are sold pursuant to ST's terms and conditions of sale.

Purchasers are solely responsible for the choice, selection and use of the ST products and services described herein, and ST assumes no liability whatsoever relating to the choice, selection or use of the ST products and services described herein.

No license, express or implied, by estoppel or otherwise, to any intellectual property rights is granted under this document. If any part of this document refers to any third party products or services it shall not be deemed a license grant by ST for the use of such third party products or services, or any intellectual property contained therein or considered as a warranty covering the use in any manner whatsoever of such third party products or services or any intellectual property contained therein.

UNLESS OTHERWISE SET FORTH IN ST'S TERMS AND CONDITIONS OF SALE ST DISCLAIMS ANY EXPRESS OR IMPLIED WARRANTY WITH RESPECT TO THE USE AND/OR SALE OF ST PRODUCTS INCLUDING WITHOUT LIMITATION IMPLIED WARRANTIES OF MERCHANTABILITY, FITNESS FOR A PARTICULAR PURPOSE (AND THEIR EQUIVALENTS UNDER THE LAWS OF ANY JURISDICTION), OR INFRINGEMENT OF ANY PATENT, COPYRIGHT OR OTHER INTELLECTUAL PROPERTY RIGHT.

ST PRODUCTS ARE NOT DESIGNED OR AUTHORIZED FOR USE IN: (A) SAFETY CRITICAL APPLICATIONS SUCH AS LIFE SUPPORTING, ACTIVE IMPLANTED DEVICES OR SYSTEMS WITH PRODUCT FUNCTIONAL SAFETY REQUIREMENTS; (B) AERONAUTIC APPLICATIONS; (C) AUTOMOTIVE APPLICATIONS OR ENVIRONMENTS, AND/OR (D) AEROSPACE APPLICATIONS OR ENVIRONMENTS. WHERE ST PRODUCTS ARE NOT DESIGNED FOR SUCH USE, THE PURCHASER SHALL USE PRODUCTS AT PURCHASER'S SOLE RISK, EVEN IF ST HAS BEEN INFORMED IN WRITING OF SUCH USAGE, UNLESS A PRODUCT IS EXPRESSLY DESIGNATED BY ST AS BEING INTENDED FOR "AUTOMOTIVE, AUTOMOTIVE SAFETY OR MEDICAL" INDUSTRY DOMAINS ACCORDING TO ST PRODUCT DESIGN SPECIFICATIONS. PRODUCTS FORMALLY ESCC, QML OR JAN QUALIFIED ARE DEEMED SUITABLE FOR USE IN AEROSPACE BY THE CORRESPONDING GOVERNMENTAL AGENCY.

Resale of ST products with provisions different from the statements and/or technical features set forth in this document shall immediately void any warranty granted by ST for the ST product or service described herein and shall not create or extend in any manner whatsoever, any liability of ST.

ST and the ST logo are trademarks or registered trademarks of ST in various countries.

Information in this document supersedes and replaces all information previously supplied.

The ST logo is a registered trademark of STMicroelectronics. All other names are the property of their respective owners.

© 2013 STMicroelectronics - All rights reserved

STMicroelectronics group of companies

Australia - Belgium - Brazil - Canada - China - Czech Republic - Finland - France - Germany - Hong Kong - India - Israel - Italy - Japan - Malaysia - Malta - Morocco - Philippines - Singapore - Spain - Sweden - Switzerland - United Kingdom - United States of America

www.st.com



X-ON Electronics

Largest Supplier of Electrical and Electronic Components

Click to view similar products for [Power Switch ICs - Power Distribution category:](#)

Click to view products by [STMicroelectronics manufacturer:](#)

Other Similar products are found below :

[AP22652AW6-7](#) [MAPDCC0001](#) [L9349TR-LF](#) [MAPDCC0005](#) [NCP45520IMNTWG-L](#) [VND5050K-E](#) [MP6205DD-LF-P](#) [FPF1018](#) [DS1222](#)
[TCK2065G,LF](#) [SZNCP3712ASNT3G](#) [L9781TR](#) [NCP45520IMNTWG-H](#) [MC17XS6500BEK](#) [SP2526A-1EN-L/TR](#) [SP2526A-2EN-L/TR](#)
[MAX4999ETJ+T](#) [MC22XS4200BEK](#) [MAX14575BETA+T](#) [VN1160C-1-E](#) [VN750PEP-E](#) [TLE7244SL](#) [L9352B-TR-LF](#) [BTS50060-1EGA](#)
[MAX1693HEUB+T](#) [MC07XSG517EK](#) [TLE7237SL](#) [MIC2033-05BYMT-T5](#) [MIC2033-12AYMT-T5](#) [MIC2033-05BYM6-T5](#) [MP6513LGJ-P](#)
[NCP3902FCCTBG](#) [AP22811BW5-7](#) [SLG5NT1437VTR](#) [SZNCP3712ASNT1G](#) [NCV330MUTBG](#) [DML1008LDS-7](#) [MAX4987AEETA+T](#)
[KTS1670EDA-TR](#) [MAX1694EUB+T](#) [KTS1640QGDV-TR](#) [KTS1641QGDV-TR](#) [IPS160HTR](#) [BTS500251TADATMA2](#)
[NCV451AMNWTBG](#) [MC07XS6517BEKR2](#) [SIP43101DQ-T1-E3](#) [DML10M8LDS-13](#) [MAX1922ESA+C71073](#) [MP6231DH-LF-Z](#)