

# H-MOSS<sup>®</sup> Occupancy Sensors

Wall Switch Occupancy Sensors - Passive Infrared

**HUBBELL**<sup>®</sup>  
Wiring Device-Kellems



## Key Features

### Common Features

- Passive infrared sensing technology
- LED lighting compatible
- No neutral required
- 1200 sq. ft. coverage
- Tamper resistant lens
- Metal mounting strap
- Shallow 1" depth
- Nylon wallplate included
- cUL Listed, cULus, CEC Title 24 Certified

### WS1000 Series

- 120V AC operation
- Manual adjustment time delay (20 sec. to 30 min.)

### WS2000 Series

- Dual 120/277V AC operation
- 3-way capable
- Selectable manual/auto-on operation
- Built in photocell for daylight harvesting
- Manual adjustment time delay (20 sec. to 30 min.)

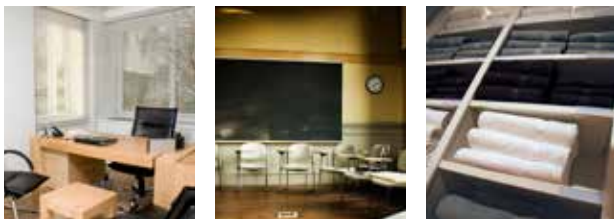
### ATP Series

All WS2000 series features plus:

- Adaptive technology - "Install and forget" operation

## Applications

- Private Offices
- Small Restrooms
- Break Areas
- Classrooms
- Closets and Storage Areas



Hubbell WS/ATP series wall switches combine PIR sensing technology, photocell control, and Hubbell's patented three wire method to provide the perfect light switch replacement solution. These sensors do not require a neutral connection and they have no minimum load requirements. The WS series has manual timer adjustment while the ATP series incorporates Hubbell's patented adaptive technology to automatically set timing and eliminate manual adjustments.

The sensors come supplied with color matched faceplates. Manual-on versions are available for enhanced savings. Four wire models support installations that require a neutral connection.

## Features and Benefits

Features	Benefits
Device depth of 1"	Utilize with any existing wall switch box.
No Neutral Required	No need to pull neutrals - makes retrofits simple.
Neutral Option Available	Comply with NEC <sup>®</sup> 2011 and local codes.
Photocell Included (ATP/WS2000 series)	Utilizing available light enables additional savings.
Patented adaptive technology (ATP series)	Eliminates the need for manual adjustments and enhances installation efficiency.

NEC<sup>®</sup> is a registered trademark of the National Fire Protection Association (NFPA).



# H-MOSS<sup>®</sup> Occupancy Sensors

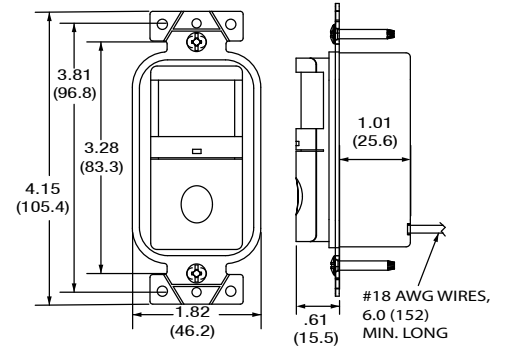
Wall Switch Occupancy Sensors - Passive Infrared

**HUBBELL**<sup>®</sup>  
Wiring Device-Kellems

## Adaptive Technology, Passive Infrared

Description	Color	Standard	w/ Nightlight	w/ Neutral	w/ Nightlight and Neutral
Adaptive auto-adjusting; selectable manual/auto-on operation; dual-voltage 120/277V; 3-way capable	Gray	<b>ATP2000GY</b>	<b>ATP2000NGY</b>		
	Ivory	<b>ATP2000I</b>	<b>ATP2000NI</b>	<b>ATP2004I</b>	<b>ATP2004NI</b>
	Light Almond	<b>ATP2000LA</b>	<b>ATP2000NLA</b>		
	White	<b>ATP2000W</b>	<b>ATP2000NW</b>	<b>ATP2004W</b>	<b>ATP2004NW</b>
Manual adjusting; selectable manual/auto-on operation; dual-voltage 120/277V; 3-way capable	Gray	<b>WS2000GY</b>	<b>WS2000NGY</b>		
	Ivory	<b>WS2000I</b>	<b>WS2000NI</b>	<b>WS2004I</b>	<b>WS2004NI</b>
	Light Almond	<b>WS2000LA</b>	<b>WS2000NLA</b>		
	White	<b>WS2000W</b>	<b>WS2000NW</b>	<b>WS2004W</b>	<b>WS2004NW</b>
Manual adjusting; auto-on operation; 120V AC only	Ivory	<b>WS1000I</b>	<b>WS1000NI</b>		
	White	<b>WS1000W</b>	<b>WS1000NW</b>		
Manual adjusting; Manual-on operation; 120V AC only	Ivory	<b>WS1001I</b>	<b>WS1001NI</b>		
	White	<b>WS1001W</b>	<b>WS1001NW</b>		

## Dimensions Inches (mm)



## Specifications

Electrical	ATP/WS2000 Series	WS1000 Series
Power Supply	120/277V AC, 60Hz	120V AC, 60Hz
Load Capacity		
Incandescent	0 to 1000 watts	0 to 500 watts
120V Ballast	0 to 1000 watts	0 to 500 watts
277V Ballast	0 to 1800 watts	N/A
Agency Approvals	cUL Listed	UL Listed, cULus Certified
Warranty	5 years	5 years

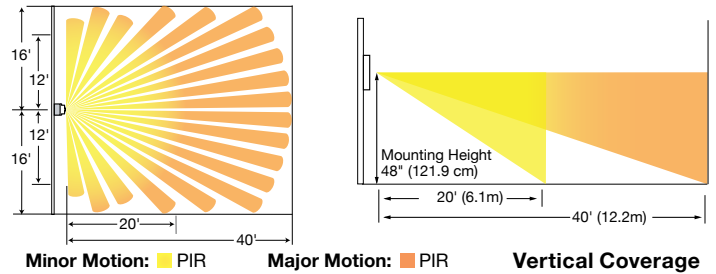
Physical	ATP/WS2000 and WS1000 Series
Housing	Flame retardant UL 94 V-0 ABS
Lens	Polyethylene
Dimensions	Face 2.59"H x 1.30"W, 0.61"D (from wall out)
Mounting Height	42 to 54 inches above floor

Sensing Indicator	ATP/WS2000 and WS1000 Series
Passive Infrared	Red LED

Environmental	ATP/WS2000 and WS1000 Series
Operating	32°F to 122°F (0°C to 50°C) with rate of change not exceeding 20°F (11°C) per hour; 20% to 90% non-condensing relative humidity
Storage	-40°F to 150°F (-40°C to 65°C); 20% to 90% non condensing relative humidity

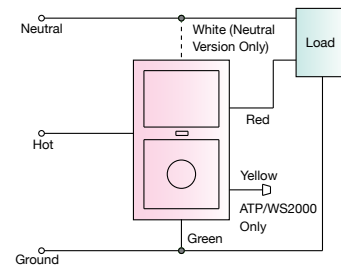
Controls	ATP/WS2000 Series	WS1000 Series
Time Delay	ATP: auto WS: Manual 20s - 30min	Manual 20 seconds to 30 minutes
Ambient Light	Digital, pushbutton, 10 to 500 foot candles	n/a
Front Press Switch	On/Off	On/Off
Service Switch	Off (service) Vac (manual-on) Occ (auto-on)	Off (service) On (normal operation)

## Coverage Patterns

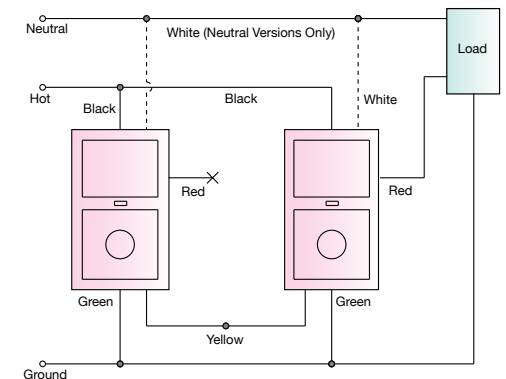


## Wiring Schematics

### Normal Wiring



### Sensors Wired as 3-Way Sensors\* (ATP/WS2000 Only)



Note: \* Load can not exceed the rating of one switch.

**HUBBELL**<sup>®</sup>  
Wiring Device-Kellems

[www.hubbell-wiring.com](http://www.hubbell-wiring.com)



## **X-ON Electronics**

Largest Supplier of Electrical and Electronic Components

*Click to view similar products for [hubbell](#) manufacturer:*

Other Similar products are found below :

[CFB7TALU](#) [03301045](#) [02216024](#) [03301047](#) [5369VY](#) [5461](#) [WSS1P](#) [00322005LPK50](#) [01304055](#) [M001SG000](#) [M001SG00P](#) [M11MSP](#)  
[01301013](#) [02201005](#) [02202008](#) [02203007](#) [02203064](#) [02206012](#) [02211003](#) [02211019](#) [02402005](#) [02406006](#) [02407008](#) [CS1223GY](#) [CS6370](#)  
[CS8375L](#) [7310](#) [MCMA14110](#) [7485VBLK](#) [7585](#) [7716](#) [7967](#) [FF3I](#) [PF2004PA005](#) [PFOLT312](#) [PH2003PA010](#) [PH2304PB050](#) [PH6598W](#)  
[9308](#) [GFP2305](#) [GFR5352IA](#) [GFR5362WTR](#) [GFR8300SNAPBKNA](#) [PM3004PA015](#) [PT2X2FIT](#) [HBL13R12D](#) [HBL16LEDR](#)  
[HBL18201WCN](#) [HBL20GBA612IV](#) [HBL20IG606GY](#)