



Model Number

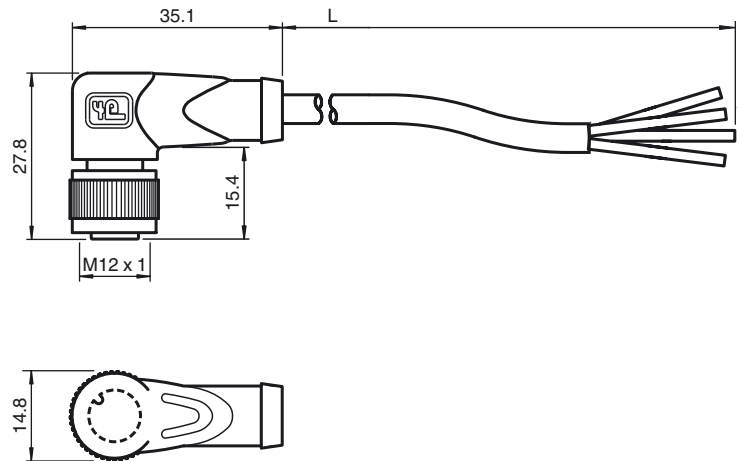
V1-W-A2-5M-PUR

Cable socket, M12, LED, 4-pin, PUR cable

Features

- Built-in LED, as operating and function indicator
- Knurled nut suitable for tool assembly
- Immunity to vibration, with mechanical latching
- Gold plated contacts
- Degree of protection IP67 / IP68 / IP69K
- Halogen-free

Dimensions



Technical data

General specifications

Number of pins	4
Connection 1	socket
Construction type 1	right angle
Threading 1	M12
Connection 2	cable end

Indicators/operating means

LED green	Operating display
LED yellow	Functional display NO contact

Electrical specifications

Operating voltage	U_B	max. 24 V DC \pm 15%
Operating current		max. 4 A
Contact resistance		< 10 m Ω

Ambient conditions

Ambient temperature	-40 ... 90 °C (-40 ... 194 °F) cable, fixed: -40 ... 80 °C (-40 ... 176 °F) cable, flexing: -30 ... 80 °C (-22 ... 176 °F)
Pollution Degree	3

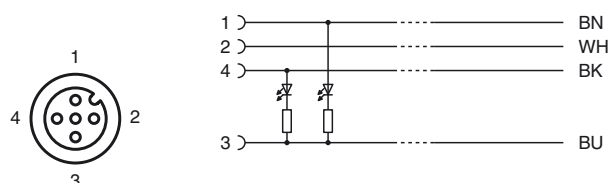
Mechanical specifications

Contact elements	spring-loaded contact socket
Pin diameter	1 mm
Degree of protection	IP67 / IP68 / IP69k
Material	
Contacts	CuSn / Au
Contact surface	Au
Body	TPU, transparent
Cable	PUR
Slotted nut	Diecast zinc
Core insulation	PP
Cable	fine-strand, flexible
Sheath diameter	\varnothing 4.8 mm
Bending radius	> 10 x cable diameter, moving
Color	grey
Cores	4 x 0.34 mm ²
Conductor construction	19 x 0.15 mm \varnothing
Length	L 5 m
Flammability	
Contact material	94 HB
Housing	94 V-2

Compliance with standards and directives

Standard conformity	
Degree of protection	EN 60529:2000

Electrical connection





Standards

IEC 61076-2-101:2008

Release date: 2014-07-04 13:36 Date of issue: 2014-07-04 034441_eng.xml

X-ON Electronics

Largest Supplier of Electrical and Electronic Components

Click to view similar products for [pepperl & fuchs](#) manufacturer:

Other Similar products are found below :

[6GR6221-3AB00](#) [NBN4-12GM50-E3](#) [RL31-54/73C/136](#) [52FR1](#) [NBB5-18GM50-E2](#) [NBN4-12GM50-E2](#) [NBB-12GM40-E1](#) [UC2000-30GM-IUR2-V15](#) [3RG4038-3KB00](#) [3RG7134-3AA00](#) [RL31-8-1200-RT/73C/136](#) [UC-30GM-R2](#) [UC2000-30GM-E6R2-V15](#) [ML100-55/98/103](#) [M100/MV100-RT/35/76A/95/103](#) [3RG4013-0KB00](#) [3RG4148-3CD00](#) [3RG4023-3AG33](#) [INX360D-F99-I2E2-V15](#) [MD17/73](#) [MV17/73/136](#) [NBB8-18GM50-E2-V1](#) [ACX04-F99-I-V15](#) [NBB20-L2-E2-V1](#) [REF-C110-2](#) [REF-H50](#) [REF-MH50](#) [UB400-F77-E2-V31](#) [50FY416](#) [NBN4-12GM40-Z0](#) [UB800-18GM40-I-V1](#) [3RG4013-3KB00](#) [3RG6233-3JS00](#) [ML100-55/95/103](#) [NJ2-PD-US-2.062-V93](#) [NBN8-12GM50-E2](#) [UB800-18GM40-E5-V1](#) [3RG4200-1AB00](#) [RT1 X 100](#) [3RG7120-3AA00](#) [NBB8-18GM60-A2-V1](#) [UB4000-F42-I-V15](#) [OB-150-F6-E5](#) [NBB4-12GM50-E2-V1](#) [41FR2](#) [NBB2-8GM40-E2-V1](#) [NBB20-L2-A2-V1](#) [6GR6231-3AB00](#) [6GR6222-3AB00](#) [NBB15+U1+E2](#)