

W29GL064C



**64M-BIT
3.0-VOLT PARALLEL FLASH MEMORY WITH
PAGE MODE**



Table of Contents

| | | |
|--------|--|----|
| 1 | GENERAL DESCRIPTION | 1 |
| 2 | FEATURES | 1 |
| 3 | PIN CONFIGURATIONS..... | 2 |
| 4 | BLOCK DIAGRAM | 3 |
| 5 | PIN DESCRIPTION..... | 3 |
| 6 | ARRAY ARCHITECTURE..... | 4 |
| 6.1 | H/L Sector Address Table..... | 4 |
| 6.2 | Top Sector Address Table | 4 |
| 6.3 | Bottom Sector Address Table..... | 4 |
| 7 | FUNCTIONAL DESCRIPTION..... | 5 |
| 7.1 | Device Bus Operation | 5 |
| 7.2 | Instruction Definitions..... | 6 |
| 7.2.1 | Reading Array Data | 6 |
| 7.2.2 | Page Mode Read | 6 |
| 7.2.3 | Device Reset Operation..... | 7 |
| 7.2.4 | Standby Mode..... | 7 |
| 7.2.5 | Output Disable Mode | 7 |
| 7.2.6 | Write Operation..... | 7 |
| 7.2.7 | Byte/Word Selection | 8 |
| 7.2.8 | Automatic Programming of the Memory Array | 8 |
| 7.2.9 | Erasing the Memory Array | 9 |
| 7.2.10 | Erase Suspend/Resume | 10 |
| 7.2.11 | Sector Erase Resume | 10 |
| 7.2.12 | Program Suspend/Resume..... | 11 |
| 7.2.13 | Program Resume | 11 |
| 7.2.14 | Programming Operation..... | 11 |
| 7.2.15 | Buffer Write Abort | 12 |
| 7.2.16 | Accelerated Programming Operation..... | 12 |
| 7.2.17 | Automatic Select Bus Operation | 12 |
| 7.2.18 | Automatic Select Operations..... | 13 |
| 7.2.19 | Automatic Select Instruction Sequence | 13 |
| 7.2.20 | Enhanced Variable IO (EVIO) Control | 14 |
| 7.2.21 | Hardware Data Protection Options | 14 |
| 7.2.22 | Inherent Data Protection | 14 |
| 7.2.23 | Power Supply Decoupling | 14 |
| 7.3 | Enhanced Sector Protect/Un-protect | 15 |
| 7.3.1 | Lock Register | 16 |
| 7.3.2 | Individual (Non-Volatile) Protection Mode..... | 17 |
| 7.4 | Security Sector Flash Memory Region | 20 |
| 7.4.1 | Factory Locked: Security Sector Programmed and Protected at factory..... | 20 |
| 7.4.2 | Customer Lockable: Security Sector Not Programmed or Protected | 20 |
| 7.5 | Instruction Definition Tables | 21 |

W29GL064C



| | | |
|-------|--|----|
| 7.6 | Common Flash Memory Interface (CFI) Mode | 25 |
| 7.6.1 | Query Instruction and Common Flash memory Interface (CFI) Mode..... | 25 |
| 8 | ELECTRICAL CHARACTERISTICS | 29 |
| 8.1 | Absolute Maximum Stress Ratings..... | 29 |
| 8.2 | Operating Temperature and Voltage | 29 |
| 8.3 | DC Characteristics | 30 |
| 8.4 | Switching Test Circuits..... | 31 |
| 8.4.1 | Switching Test Waveform | 31 |
| 8.5 | AC Characteristics | 32 |
| 8.5.1 | Instruction Write Operation | 33 |
| 8.5.2 | Read / Reset Operation | 34 |
| 8.5.3 | Erase/Program Operation | 36 |
| 8.5.4 | Write Operation Status..... | 46 |
| 8.5.5 | WORD/BYTE CONFIGURATION (#BYTE)..... | 50 |
| 8.5.6 | DEEP POWER DOWN MODE..... | 52 |
| 8.5.7 | WRITE BUFFER PROGRAM..... | 52 |
| 8.6 | Recommended Operating Conditions..... | 53 |
| 8.6.1 | At Device Power-up | 53 |
| 8.7 | Erase and Programming Performance | 54 |
| 8.8 | Data Retention | 54 |
| 8.9 | Latch-up Characteristics | 54 |
| 8.10 | Pin Capacitance..... | 54 |
| 9 | PACKAGE DIMENSIONS | 55 |
| 9.1 | TSOP 48-pin 12x20mm | 55 |
| 9.2 | TSOP 56-pin 14x20mm | 56 |
| 9.3 | Low-Profile Fine-Pitch Ball Grid Array, 64-ball 11x13mm (LFBGA64) | 57 |
| 9.4 | Thin & Fine-Pitch Ball Grid Array, 6x8 mm ² , pitch: 0.8 mm, Ø=0.4mm (TFBGA48) | 58 |
| 10 | ORDERING INFORMATION..... | 59 |
| 10.1 | Ordering Part Number Definitions..... | 59 |
| 10.2 | Valid Part Numbers and Top Side Marking | 60 |
| 11 | HISTORY | 61 |

**List of Figures**

| | | |
|--------------|---|----|
| Figure 3-3-1 | LFBGA64 TOP VIEW (FACE DOWN)..... | 2 |
| Figure 3-3-2 | 56-PIN STANDARD TSOP (TOP VIEW)..... | 2 |
| Figure 3-3-3 | TFBGA48 TOP VIEW (FACE DOWN) | 2 |
| Figure 3-3-4 | 48-PIN STANDARD TSOP (TOP VIEW)..... | 2 |
| Figure 4-1 | Block Diagram..... | 3 |
| Figure 7-1 | Enhanced Sector Protect/Un-protect IPB Program Algorithm..... | 15 |
| Figure 7-2 | Lock Register Program Algorithm..... | 16 |
| Figure 7-3 | IPB Program Algorithm | 18 |
| Figure 8-1 | Maximum Negative Overshoot | 29 |
| Figure 8-2 | Maximum Positive Overshoot | 29 |
| Figure 8-3 | Switch Test Circuit | 31 |
| Figure 8-4 | Switching Test Waveform | 31 |
| Figure 8-5 | Instruction Write Operation Waveform..... | 33 |
| Figure 8-6 | Read Timing Waveform | 34 |
| Figure 8-7 | #RESET Timing Waveform..... | 35 |
| Figure 8-8 | Automatic Chip Erase Timing Waveform..... | 36 |
| Figure 8-9 | Automatic Chip Erase Algorithm Flowchart | 37 |
| Figure 8-10 | Automatic Sector Erase Timing Waveform..... | 38 |
| Figure 8-11 | Automatic Sector Erase Algorithm Flowchart | 39 |
| Figure 8-12 | Erase Suspend/Resume Flowchart | 40 |
| Figure 8-13 | Automatic Program Timing Waveform..... | 41 |
| Figure 8-14 | Accelerated Program Timing Waveform..... | 41 |
| Figure 8-15 | #CE Controlled Write Timing Waveform..... | 42 |
| Figure 8-16 | #WE Controlled Write Timing Waveform | 43 |
| Figure 8-17 | Automatic Programming Algorithm Flowchart | 44 |
| Figure 8-18 | Silicon ID Read Timing Waveform..... | 45 |
| Figure 8-19 | Data# Polling Timing Waveform (During Automatic Algorithms) | 46 |
| Figure 8-20 | Status Polling for Word Programming/Erase | 47 |
| Figure 8-21 | Status Polling for Write Buffer Program Flowchart | 48 |
| Figure 8-22 | Toggling Bit Timing Waveform (During Automatic Algorithms) | 49 |
| Figure 8-23 | Toggle Bit Algorithm..... | 50 |
| Figure 8-24 | #BYTE Timing Waveform For Read operations | 51 |
| Figure 8-25 | Page Read Timing Waveform..... | 51 |
| Figure 8-26 | Deep Power Down mode Waveform | 52 |
| Figure 8-27 | Write Buffer Program Flowchart | 52 |
| Figure 8-28 | AC Timing at Device Power-Up | 53 |
| Figure 9-1 | TSOP 48-pin 12x20mm | 55 |
| Figure 9-2 | TSOP 56-pin 14x20mm | 56 |
| Figure 9-3 | LFBGA 64-ball 11x13mm | 57 |
| Figure 9-4 | TFBGA 48-Ball 6x8mm..... | 58 |
| Figure 10-1 | Ordering Part Numbering..... | 59 |

W29GL064C



List of Tables

| | | |
|------------|---|----|
| Table 5-1 | Pin Description..... | 3 |
| Table 6-1 | High/Low Sector Table..... | 4 |
| Table 6-2 | Top Boot Sector Table..... | 4 |
| Table 6-3 | Bottom Boot Sector Table..... | 4 |
| Table 7-1 | Device Bus Operation..... | 5 |
| Table 7-2 | Device Bus Operation (continue)..... | 5 |
| Table 7-3 | Polling During Embedded Program Operation..... | 8 |
| Table 7-4 | Polling During Embedded Sector Erase Operation..... | 9 |
| Table 7-5 | Polling During Embedded Chip Erase Operation..... | 10 |
| Table 7-6 | Polling During Embedded Erase Suspend..... | 10 |
| Table 7-7 | Polling During Embedded Program Suspend..... | 11 |
| Table 7-8 | Polling Buffer Write Abort Flag..... | 12 |
| Table 7-9 | Auto Select for MFR/Device ID/Secure Silicon/Sector Protect Read..... | 13 |
| Table 7-10 | Lock Register Bits..... | 16 |
| Table 7-11 | Sector Protection Status Table..... | 19 |
| Table 7-12 | Factory Locked: Security Sector..... | 20 |
| Table 7-13 | ID Reads, Sector Verify, and Security Sector Entry/Exit..... | 21 |
| Table 7-14 | Program, Write Buffer, CFI, Erase and Suspend..... | 22 |
| Table 7-15 | Deep Power Down..... | 22 |
| Table 7-16 | Lock Register and Global Non-Volatile..... | 23 |
| Table 7-17 | IPB Functions..... | 23 |
| Table 7-18 | Volatile DPB Functions..... | 24 |
| Table 7-19 | CFI Mode: ID Data Values..... | 25 |
| Table 7-20 | CFI Mode: System Interface Data Values..... | 26 |
| Table 7-21 | CFI Mode: Device Geometry Data Values..... | 27 |
| Table 7-22 | CFI mode: Primary Vendor-Specific Extended Query Data Values..... | 28 |
| Table 8-1 | Absolute Maximum Stress Ratings..... | 29 |
| Table 8-2 | Operating Temperature and Voltage..... | 29 |
| Table 8-3 | DC Characteristics..... | 30 |
| Table 8-4 | Test Specification..... | 31 |
| Table 8-5 | AC Characteristics..... | 33 |
| Table 8-6 | AC Characteristics #RESET and RY/#BY..... | 34 |
| Table 8-7 | AC Characteristics Word/Byte Configuration (#BYTE)..... | 50 |
| Table 8-8 | AC Characteristics for Deep Power Down..... | 52 |
| Table 8-9 | AC Characteristics at Device Power Up..... | 53 |
| Table 8-10 | AC Characteristics for Erase and Programming Performance..... | 54 |
| Table 8-11 | Data Retention..... | 54 |
| Table 8-12 | Latch-up Characteristics..... | 54 |
| Table 8-13 | Pin Capacitance..... | 54 |
| Table 10-1 | Valid Part Numbers and Markings..... | 60 |
| Table 11-1 | Revision History..... | 61 |



1 GENERAL DESCRIPTION

The W29GL064C Parallel Flash memory provides a storage solution for embedded system applications that require better performance, lower power consumption and higher density. This device has a random access speed of 70 ns and a fast page access speed of 25 ns, as well as, significantly faster program and erase times than the comparable products available on the market today. The W29GL064C also offers special features such as Compatible Manufacturer ID that makes the device industry standard compatible without the need to change firmware.

2 FEATURES

- **32k-Word/64k-Byte uniform sector architecture**
 - Total 128 uniform sectors
 - Total 127 uniform sectors + eight 4k-Word/8k-Byte sectors
- **16-Word/32-Byte write buffer**
 - Reduces total program time for multiple-word updates
- **8-Word/16-Byte page read buffer**
- **Secured Silicon Sector area**
 - Programmed and locked by the customer or during production
 - 128-word/256-byte sector for permanent, safe identification using an 8-word/16-byte random electronic serial number
- **Enhanced Sector Protect using Dynamic and Individual mechanisms**
- **Polling/Toggling methods are used to detect the status of program and erase operation**
- **Suspend and resume commands used for program and erase operations**
- **More than 100,000 erase/program cycles**
- **More than 20-year data retention**
- **Low power consumption**
- **Deep power down mode**
- **Wide temperature range**
- **Compatible manufacturer ID for drop-in replacement**
 - No firmware change is required
- **Faster Erase and Program time**
 - Erase is 1.5x faster than industry standard
 - Program is 2x faster than industry standard
 - Allows for improved production throughput and faster field updates
- **CFI (Common Flash Interface) support**
- **Single 3V Read/Program/Erase (2.7 - 3.6V)**
- **Enhanced Variable IO control**
 - All input levels (address, control, and DQ) and output levels are determined by voltage on the EVIO input. EVIO ranges from 1.65 to VCC
- **#WP/ACC Input**
 - Accelerates programming time (when V_{HH} is applied) for greater throughput during system production
 - Protects first or last sector regardless of sector protection settings
- **Hardware reset input (#reset) resets device**
- **Ready/#Busy output (RY/#BY) detects completion of program or erase cycle**
- **Packages**
 - Uniform Sector (H/L)
 - 56-pin TSOP
 - 64-ball LFBGA
 - Boot Sector (T/B)
 - 48-pin TSOP
 - 48-ball TFBGA
 - 64-ball LFBGA

W29GL064C



3 PIN CONFIGURATIONS

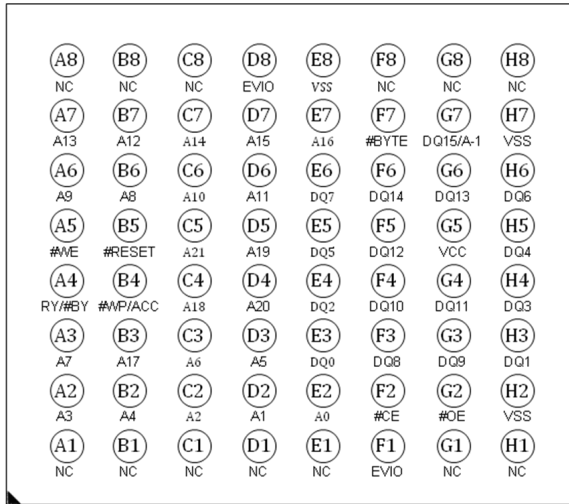


Figure 3-3-1 LFBGA64 TOP VIEW (FACE DOWN)

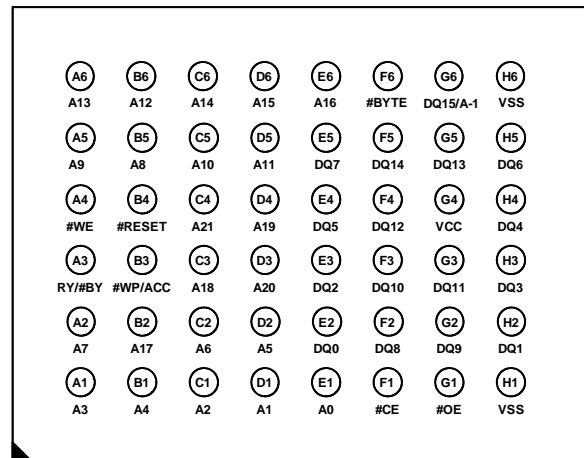


Figure 3-3-3 TFBGA48 TOP VIEW (FACE DOWN)

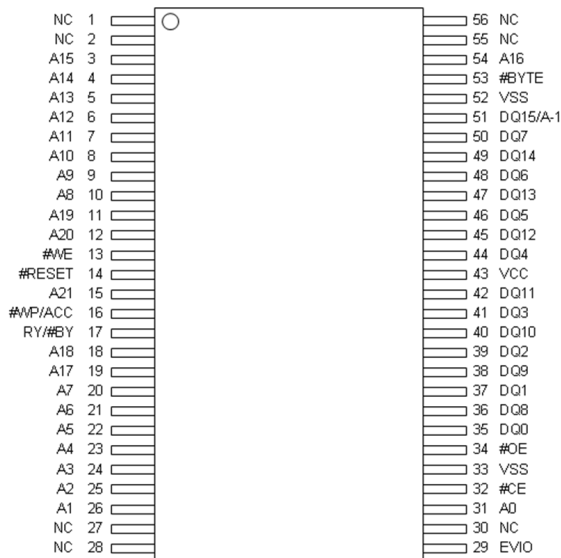


Figure 3-3-2 56-PIN STANDARD TSOP (TOP VIEW)

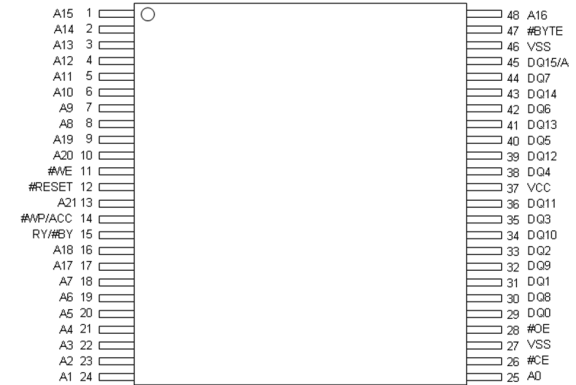


Figure 3-3-4 48-PIN STANDARD TSOP (TOP VIEW)



4 BLOCK DIAGRAM

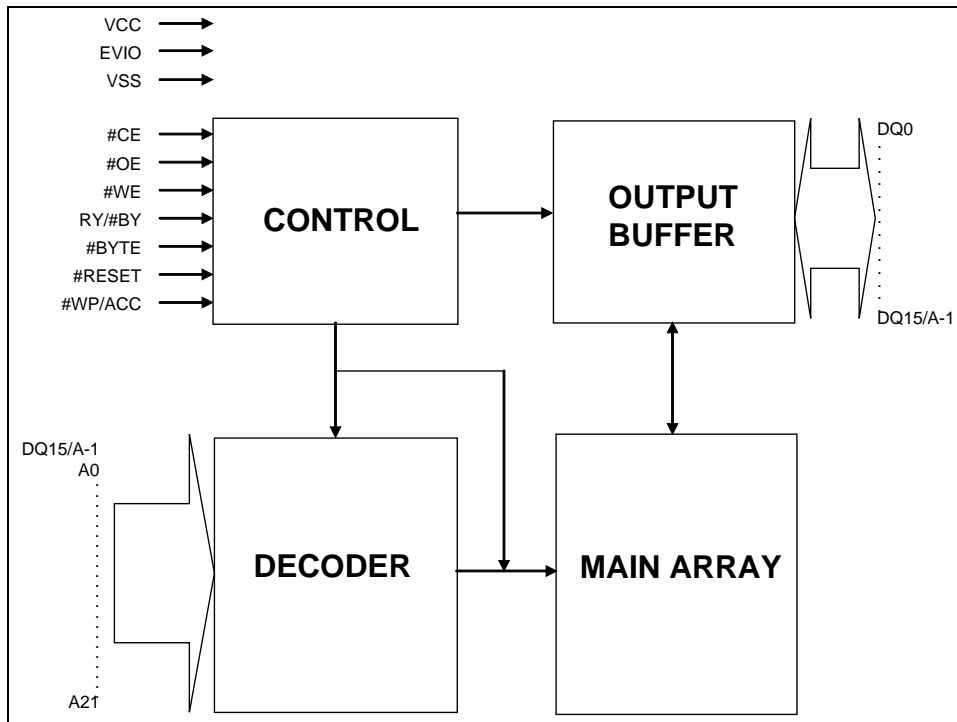


Figure 4-1 Block Diagram

5 PIN DESCRIPTION

| SYMBOL | PIN NAME | |
|----------|--|---------------------------|
| A0-A21 | Address Inputs | |
| DQ0-DQ14 | Data Inputs/Outputs | |
| DQ15/A-1 | Word mode | DQ15 is Data Input/Output |
| | Byte mode | A-1 is Address Input |
| #CE | Chip Enable | |
| #OE | Output Enable | |
| #WE | Write Enable | |
| #WP/ACC | Hardware Write Protect/ Acceleration Pin | |
| #BYTE | Byte Enable | |
| #RESET | Hardware Reset | |
| RY/#BY | Ready/Busy Status | |
| Vcc | Power Supply | |
| EVIO | Enhanced Variable IO Supply (No connect for top/bottom LFBGA64 configurations) | |
| VSS | Ground | |
| NC | No Connection | |

Table 5-1 Pin Description



6 ARRAY ARCHITECTURE

6.1 H/L Sector Address Table

| Sector | Sector Address A21-A15 | Sector Size (KByte/KWord) | X8 Start / Finish | X16 Start / Finish |
|--------|---------------------------|------------------------------|----------------------|-----------------------|
| SA00 | 0000000 | 64/32 | 000000h 00FFFFh | 000000h 007FFFh |
| SA01 | 0000001 | 64/32 | 010000h 01FFFFh | 008000h 00FFFFh |
| . | . | . | . | . |
| SA126 | 1111110 | 64/32 | 7E0000h 7EFFFFh | 3F0000h 3FFFFFFh |
| SA127 | 1111111 | 64/32 | 7F0000h 7FFFFFFh | 3F8000h 3FFFFFFh |

Table 6-1 High/Low Sector Table

Note: The address range is [A21:A-1] in byte mode (#BYTE = VIL) or [A21:A0] in word mode (#BYTE = VIH)

6.2 Top Sector Address Table

| Sector | Sector Address A21-A12 | Sector Size (KByte/KWord) | X8 Start / Finish | X16 Start / Finish |
|--------|---------------------------|------------------------------|----------------------|-----------------------|
| SA00 | 0000000xxx | 64/32 | 000000h 00FFFFh | 000000h 007FFFh |
| SA01 | 0000001xxx | 64/32 | 010000h 01FFFFh | 008000h 00FFFFh |
| . | . | . | . | . |
| SA126 | 1111110xxx | 64/32 | 7E0000h 7EFFFFh | 3F0000h 3FFFFFFh |
| SA127 | 1111111000 | 8/4 | 7F0000h 7F1FFFh | 3F8000h 3F8FFFh |
| . | . | . | . | . |
| SA134 | 1111111111 | 8/4 | 7FE000h 7FFFFFFh | 3FF000h 3FFFFFFh |

Table 6-2 Top Boot Sector Table

Note: The address range is [A21:A-1] in byte mode (#BYTE = VIL) or [A21:A0] in word mode (#BYTE = VIH)

6.3 Bottom Sector Address Table

| Sector | Sector Address A21-A12 | Sector Size (KByte/KWord) | X8 Start / Finish | X16 Start / Finish |
|--------|---------------------------|------------------------------|----------------------|-----------------------|
| SA00 | 0000000000 | 8/4 | 000000h 001FFFh | 000000h 000FFFh |
| . | . | . | . | . |
| SA07 | 0000000111 | 8/4 | 00E000h 00FFFFh | 007000h 007FFFh |
| SA08 | 0000001xxx | 64/32 | 010000h 01FFFFh | 008000h 00FFFFh |
| . | . | . | . | . |
| SA134 | 1111111xxx | 64/32 | 7F0000h 7FFFFFFh | 3F8000h 3FFFFFFh |

Table 6-3 Bottom Boot Sector Table

Note: The address range is [A21:A-1] in byte mode (#BYTE = VIL) or [A21:A0] in word mode (#BYTE = VIH)



7 FUNCTIONAL DESCRIPTION

7.1 Device Bus Operation

| Mode Select | #Reset | #CE | #WE | #OE | Address ⁽⁴⁾ | Data I/O DQ[7:0] | #BYTE | | #WP/ACC |
|---------------------|-----------------------|-----------------------|-----|-----|------------------------|---------------------|-----------------------------|-----------------|-----------------------|
| | | | | | | | V _{IL} | V _{IH} | |
| | | | | | | | Data I/O DQ[15:8] | | |
| Device Reset | L | X | X | X | X | High-Z | High-Z | High-Z | L/H |
| Standby Mode | V _{CC} ±0.3V | V _{CC} ±0.3V | X | X | X | High-Z | High-Z | High-Z | H |
| Output Disable | H | L | H | H | X | High-Z | High-Z | High-Z | L/H |
| Read Mode | H | L | H | L | A _{IN} | DOUT | DQ[14:8]=High-Z DQ15=A-1 | DOUT | L/H |
| Write | H | L | L | H | A _{IN} | DIN | | DIN | Note ^(1,2) |
| Accelerated Program | H | L | L | H | A _{IN} | DIN | | DIN | V _{HH} |

Table 7-1 Device Bus Operation

Notes:

1. For High/Low configuration, either the first or last sector was protected if #WP/ACC=V_{IL}. For Top/Bottom Boot configuration, either the top or bottom two sectors are protected if #WP/ACC=V_{IL}.
2. When #WP/ACC = V_{IH}, the protection conditions of the outmost sector depends on previous protection conditions. Refer to the enhanced protect feature.
3. DQ[15:0] are input (DIN) or output (DOUT) pins according to the requests of instruction sequence, sector protection, or data polling algorithm.
4. In Word Mode (#BYTE=V_{IH}), the addresses are A₂₁ to A₀. In Byte Mode (#BYTE=V_{IL}), the addresses are A₂₁ to A-1 (DQ15),.

| Description | | Control Inputs | | | A ₂₁ ~12 | A ₁₁ ~10 | A ₉ | A ₈ ~7 | A ₆ | A ₅ ~4 | A ₃ ~2 | A ₁ | A ₀ | DQ[7:0] | | DQ[15:8] | |
|--|---------|----------------|-----|-----|------------------------|------------------------|-----------------|----------------------|----------------|----------------------|----------------------|----------------|----------------|----------------|-----|----------|------|
| | | #CE | #WE | #OE | | | | | | | | | | T/B | H/L | BYTE | WORD |
| Read Silicon ID MFR Code | | L | H | L | X | X | V _{HH} | X | L | X | L | L | L | 01 | X | 00 | |
| Device ID | Cycle 1 | L | H | L | X | X | V _{HH} | X | L | X | L | L | H | 7E | X | 22 | |
| | Cycle 2 | L | H | L | X | X | V _{HH} | X | L | X | H | H | L | 10 | 0C | X | 22 |
| | Cycle 3 | L | H | L | X | X | V _{HH} | X | L | X | H | H | H | 01(T) 00(B) | 01 | X | 22 |
| Sector Lock Status Verification ⁽¹⁾ | | L | H | L | SA | X | V _{HH} | X | L | X | L | H | L | 01/00 | X | X | |
| Secure Sector (H) ⁽²⁾ | | L | H | L | X | X | V _{HH} | X | L | X | L | H | H | 9A/1A | X | X | |
| Secure Sector (L) ⁽²⁾ | | L | H | L | X | X | V _{HH} | X | L | X | L | H | H | 8A/0A | X | X | |

Table 7-2 Device Bus Operation (continue)

Notes:

1. Sector unprotected code:00h. Sector protected code:01h.
2. Factory locked code: #WP protects high address sector: 9Ah. #WP protects low address sector: 8Ah. Factory unlocked code: #WP protects high address sector: 1Ah. #WP protects low address sector: 0Ah

W29GL064C



7.2 Instruction Definitions

The device operation can be initiated by writing specific address and data commands or sequences into the instruction register. The device will be reset to reading array data when writing incorrect address and data values or writing them in the improper sequence.

The addresses will be latched on the falling edge of #WE or #CE, whichever happens later; while the data will be latched on the rising edge of #WE or #CE, whichever happens first. Please refer to timing waveforms.

7.2.1 Reading Array Data

The default state after power up or a reset operation is the Read mode.

To execute a read operation, the chip is enabled by setting #CE and #OE active and #WE high. At the same time, the required address or status register location is provided on the address lines. The system reads the addressed location contents on the Data IO pins after the tCE and tOE timing requirements have been met. Output data will not be accessible on the Data IO pins if either the device or its outputs are not enabled by #CE or #OE being High, and the outputs will remain in a tri-state condition.

When the device completes an embedded memory operation (i.e., Program, automatic Chip Erase or Sector Erase) successfully, it will return to the Read mode and from any address in the memory array the data can be read. However, if the embedded operation fails to complete, by verifying the status register bit DQ5 (exceeds time limit flag) going high during the operations, at this time system should execute a Reset operation causing the device to return to Read mode.

Some operating states require a reset operation to return to Read mode such as:

- Time-out condition during a program or erase failed condition, indicated by the status register bit DQ5 going High during the operation. Failure during either of these states will prevent the device from automatically returning to Read mode.
- During device Auto Select mode or CFI mode, a reset operation is required to terminate their operation.

In the above two situations, the device will not return to the Read mode unless a reset operation is executed (either hardware reset or software reset instruction) or the system will not be able to read array data.

The device will enter Erase-Suspended Read mode if the device receives an Erase Suspend instruction while in the Sector Erase state. The erase operation will pause (after a time delay not exceeding 20 μ s) prior to entering Erase-Suspend Read mode. At this time data can be programmed or read from any sector that is not being erased. Another way to verify device status is to read the addresses inside the sectors being erased. This will only provide the contents of the status register.

Program operation during Erase-Suspend Read mode of valid sector(s) will automatically return to the Erase-Suspend Read mode upon successful completion of the program operation.

An Erase Resume instruction must be executed to exit the Erase-Suspended Read mode, at which time suspended erase operations will resume. Erase operation will resume where it left off and continue until successful completion unless another Erase Suspend instruction is received.

7.2.2 Page Mode Read

The Page Mode Read has page sizes of 16 bytes or 8 words. The higher addresses A[21:3] accesses the desired page. To access a particular word or byte in a page, it is selected by A[2:0] for word mode and A[2:0,A-1] for byte mode. Page mode can be turned on by keeping "page-read address" constant and changing the "intra-read page" addresses. The page access time is tAA or tCE, followed by tPA for the page read time. When #CE toggles, access time is tAA or tCE.



7.2.3 Device Reset Operation

Pulling the #RESET pin Low for a period equal to or greater than t_{RP} will return the device to Read mode. If the device is performing a program or erase operation, the reset operation will take at most a period of t_{READY1} before the device returns to Read mode. The RY/#BY pin will remain Low (Busy Status) until the device returns to Read mode.

Note, the device draws larger current if the #RESET pin is held at voltages greater than $GND+0.3V$ and less than or equal to V_{IL} . When the #RESET pin is held a $GND\pm 0.3V$, the device only consumes Reset (I_{CC5}) current.

It is recommended to tie the system reset signal to the #RESET pin of the flash memory. This allows the device to be reset with the system and puts it in a state where the system can immediately begin reading boot code from it.

Executing the Reset instruction will reset the device back to the Read mode in the following situations:

- During an erase instruction sequence, before the full instruction set is completed.
- Sector erase time-out period
- Erase failed, while DQ5 is High.
- During program instruction sequence, before the full instruction set is completed, including the erase-suspended program instruction.
- Program failed, while DQ5 is High as well as the erase-suspended program failure.
- Auto-select mode
- CFI mode
- The user must issue a reset instruction to reset the device back to the Read mode when the device is in Auto-Select mode or CFI mode, or when there is a program or erase failure (DQ5 is High).
- When the device is performing a Programming (not program fail) or Erasing (Not erase fail) function, the device will ignore reset commands.

7.2.4 Standby Mode

Standby mode is entered when both #RESET and #CE are driven to $V_{CC} \pm 300mV$ (inactive state). (Note, if both pins are not within the $E_{VIO} \pm 0.3V$, but at V_{IH} , standby current will be greater.) At this time output pins are placed in the high impedance state regardless of the state of the #WE or #OE pins and the device will draw minimal standby current (I_{CC4}). If the device is deselected during erase or program operation, the device will draw active current until the operation is completed.

7.2.5 Output Disable Mode

The #OE pin controls the state of the Data IO pins. If #OE is driven High (V_{IH}), all Data IO pins will remain at high impedance and if driven Low, the Data IO pins will drive data (#OE has no affect on the RY/#BY output pin).

7.2.6 Write Operation

To execute a write operation, Chip Enable (#CE) pin is driven Low and the Output Enable (#OE) is pulled high to disable the Data IO pins to a high impedance state. The desired address and data should be present on the appropriate pins. Addresses are latched on the falling edge of either #WE or #CE and Data is latched on the rising edge of either #CE or #WE. To see an example, please refer to timing diagrams in [Figure 8-5](#), [Figure 8-15](#) or [Figure 8-16](#). If an invalid write instruction, not defined in this datasheet is written to the device, it may put the device in an undefined state.

W29GL064C



7.2.7 Byte/Word Selection

To choose between the Byte or Word mode, the #BYTE input pin is used to select how the data is input/output on the Data IO pins and the organization of the array data. If the #BYTE pin is driven High, Word mode will be selected and all 16 Data IO pins will be active. If the #BYTE is pulled Low, Byte mode will be active and only Data IO DQ[7:0] will be active. The remaining Data IO pins (DQ[14:8]) will be in a high impedance state and DQ15 becomes the A-1 address input pin.

7.2.8 Automatic Programming of the Memory Array

To program the memory array in Byte or Word mode, refer to the [Instruction Definition Tables](#) for correct cycle defined instructions that include the 2 unlocking instruction cycles, the A0h program cycle instruction and subsequent cycles containing the specified address location and the byte or word desired data content, followed by the start of the embedded algorithm to automatically program the array.

Once the program instruction sequence has been executed, the internal state machine commences execution of the algorithms and timing necessary for programming and cell verification. Included in this operation is generating suitable program pulses, checking cell threshold voltage (V_T) margins, and if any cells do not pass verification or have acceptable margins, repetitive program pulse sequence will be cycled again. The internal process mechanisms will protect cells that do pass margin and verification tests from being over-programmed by prohibiting further program pulses to passing cells as failing cells continue to be run through the internal programming sequence until the pass.

This feature allows the user to only perform the auto-programming sequence once and the device state machine takes care of the program and verification process.

Array bits during programming can only change a bit status of “1” (erase state) to a “0” (programmed state). It is not possible to do the reverse with a programming operation. This can only be done by first performing an erase operation. Keep in mind, the internal write verification only checks and detects errors in cases where a “1” is not successfully programmed to “0”.

During the embedded programming algorithm process any commands written to the device will be ignored, except hardware reset or programs suspend instruction. Hardware reset will terminate the program operation after a period of time, not to exceed 10 μ s. If in the case a Program Suspend was executed, the device will enter the program suspend read mode. When the embedded program algorithm is completed or the program is terminated by a hardware reset, the device will return to Read mode.

The user can check for completion by reading the following bits in the status register, once the embedded program operation has started:

| Status | DQ7 | DQ6 | DQ5 | DQ1 | RY/#BY ¹ |
|---------------------|------|----------|-----|-----|---------------------|
| In progress | DQ7# | Toggling | 0 | 0 | 0 |
| Exceeded time limit | DQ7# | Toggling | 1 | N/A | 0 |

Table 7-3 Polling During Embedded Program Operation

Note:

1. RY/#BY is an open drain output pin and should be connected to VCC through a high value pull-up resistor.



7.2.9 Erasing the Memory Array

Sector Erase and Chip Erase are the two possible types of operations executed on the memory array. Sector Erase operation erases one or more selected sectors and this can be simultaneous. Chip Erase operation erases the entire memory array, except for any protected sectors.

7.2.9.1 Sector Erase

The sector erase operation returns all selected sectors in memory to the "1" state, effectively clearing all data. This action requires six instruction cycles to commence the erase operation. The unlock sequence is the first two cycles, followed by the configuration cycle, the fourth and fifth are also "unlock cycles", and the Sector Erase instruction is the sixth cycle. An internal 50 μ s time-out counter is started once the sector erase instruction sequence has been completed. During this time, additional sector addresses and Sector Erase commands may be issued, thus allowing for multiple sectors to be selected and erased simultaneously. Once the 50 μ s time-out counter has reached its limit, no additional command instructions will be accepted and the embedded sector erase algorithm will commence.

Note, that the 50 μ s time-out counter restarts after every sector erase instruction sequence. The device will abort and return to Read mode, if any instruction other than Sector Erase or Erase Suspend is attempted during the time-out period.

Once the embedded sector erase algorithm begins, all instructions except Erase Suspend or Hardware Reset will be ignored. The hardware reset will abort the erase operation and return the device to the Read mode.

The embedded sector erase algorithm status can be verified by the following:

| Status | DQ7 | DQ6 | DQ5 | DQ3 ¹ | DQ2 | RY/#BY ² |
|---------------------|-----|----------|-----|------------------|----------|---------------------|
| Time-out period | 0 | Toggling | 0 | 0 | Toggling | 0 |
| In progress | 0 | Toggling | 0 | 1 | Toggling | 0 |
| Exceeded time limit | 0 | Toggling | 1 | 1 | Toggling | 0 |

Table 7-4 Polling During Embedded Sector Erase Operation

Note:

1. The DQ3 status bit is the 50 μ s time-out indicator. When DQ3=0, the 50 μ s time-out counter has not yet reached zero and the new Sector Erase instruction maybe issued to specify the address of another sector to be erased. When DQ3=1, the 50 μ s time-out counter has expired and the Sector Erase operation has already begun. Erase Suspend is the only valid instruction that maybe issued once the embedded erase operation is underway.
2. RY/#BY is an open drain output pin and should be connected to VCC through a high value pull-up resistor.
3. When an attempt is made to erase only protected sector(s), the erase operation will abort thus preventing any data changes in the protected sector(s). DQ7 will output "0" and DQ6 will toggle briefly (100 μ s or less) before aborting and returning the device to Read mode. If unprotected sectors are also specified, however, they will be erased normally and the protected sector(s) will remain unchanged.
4. DQ2 is a localized indicator showing a specified sector is undergoing erase operation or not. DQ2 toggles when user reads at the addresses where the sectors are actively being erased (in erase mode) or to be erased (in erase suspend mode).

W29GL064C



7.2.9.2 Chip Erase

The Chip Erase operation returns all memory locations containing a bit state of “0” to the “1” state, effectively clearing all data. This action requires six instruction cycles to commence the erase operation. The unlock sequence is the first two cycles, followed by the configuration cycle, the fourth and fifth are also “unlock cycles”, and the sixth cycle initiates the chip erase operation.

Once the chip erase algorithm begins, no other instruction will be accepted. However, if a hardware reset is executed or the operating voltage is below acceptable levels, the chip erase operation will be terminated and automatically returns to Read mode.

The embedded chip erase algorithm status can be verified by the following:

| Status | DQ7 | DQ6 | DQ5 | DQ2 | RY/#BY ¹ |
|---------------------|-----|----------|-----|----------|---------------------|
| In progress | 0 | Toggling | 0 | Toggling | 0 |
| Exceeded time limit | 0 | Toggling | 1 | Toggling | 0 |

Table 7-5 Polling During Embedded Chip Erase Operation

Note:

1. RY/#BY is an open drain pin and should be connected to VCC through a high value pull-up resistor.

7.2.10 Erase Suspend/Resume

If there is a sector erase operation in progress, an Erase Suspend instruction is the only valid instruction that may be issued. Once the Erase Suspend instruction is executed during the 50µs time-out period following a Sector Erase instruction, the time-out period will terminate right away and the device will enter Erase-Suspend Read mode. If an Erase Suspend instruction is executed after the sector erase operation has started, the device will not enter Erase-Suspended Read mode until approximately 20µs (5µs typical) time has elapsed. To determine the device has entered the Erase-Suspend Read mode, use DQ6, DQ7 and RY/#BY status to verify the state of the device.

Once the device has entered Erase-Suspended Read mode, it is possible to read or program any sector(s) except those being erased by the erase operation. Only the contents of the status register is present when attempting to read a sector that has been scheduled to erase or be programmed when in the suspend mode. A resume instruction must be executed and recommend checking DQ6 toggle bit status, before issuing another erase instruction.

The status register bits can be verified to determine the current status of the device:

| Status | DQ7 | DQ6 | DQ5 | DQ3 | DQ2 | DQ1 | RY/#BY |
|---|------|-----------|------|------|--------|------|--------|
| Erase suspend read in erase suspended sector | 1 | No toggle | 0 | N/A | Toggle | N/A | 1 |
| Erase suspend read in non-erase suspended sector | Data | Data | Data | Data | Data | Data | 1 |
| Erase suspend program in non-erase suspended sector | DQ7# | Toggle | 0 | N/A | N/A | N/A | 0 |

Table 7-6 Polling During Embedded Erase Suspend

Instruction sets such as read silicon ID, sector protect verify, program, CFI query and erase resume can also be executed during Erase-Suspend mode, except sector and chip erase.

7.2.11 Sector Erase Resume

Only in the Erase-Suspended Read mode can the Sector Erase Resume instruction be a valid command. Once erase resumes, another Erase Suspend instruction can be executed, but allow a 400µs interval between Erase Resume and the next Erase Suspend instruction.



7.2.12 Program Suspend/Resume

Once a program operation is in progress, a Program Suspend is the only valid instruction that maybe executed. Verifying if the device has entered the Program-Suspend Read mode after executing the Program-Suspend instruction, can be done by checking the RY/#BY and DQ6. Programming should halt within 15 μ s maximum (5 μ s typical).

Any sector(s) can be read except those being program suspended. Trying to read a sector being program suspended is invalid. Before another program operation can be executed, a Resume instruction must be performed and DQ6 toggling bit status has to be verified. Use the status register bits shown in the following table to determine the current state of the device:

| Status | DQ7 | DQ6 | DQ5 | DQ3 | DQ2 | DQ1 | RY/#BY |
|--|---------|------|------|------|------|------|--------|
| Program suspend read in program suspended sector | Invalid | | | | | | 1 |
| Program suspend read in non-program suspended sector | Data | Data | Data | Data | Data | Data | 1 |

Table 7-7 Polling During Embedded Program Suspend

Instruction sets such as read silicon ID, sector protect verify, program, CFI query can also be executed during Program/Erase-Suspend mode.

7.2.13 Program Resume

The program Resume instruction is valid only when the device is in Program-Suspended mode. Once the program resumes, another Program Suspend instruction can be executed. Insure there is at least a 5 μ s interval between Program Resume and the next Suspend instruction.

7.2.14 Programming Operation

Write Buffer Programming Operation, programs 32-bytes or 16-words in a two step programming operation. To begin execution of the Write Buffer Programming, start with the first two unlock cycles, the third cycle writes the programming Sector Address destination followed by the Write Buffer Load Instruction (25h). The fourth cycle repeats the Sector Address, while the write data is the number of intended word locations to be written minus one. (Example, if the number of word locations to be written is 9, then the value would be 8h.) The 5th cycle is the first starting address/data set. This will be the first pair to be programmed and consequentially, sets the "write-buffer-page" address. Repeat Cycle 5 format for each additional address/data sets to be written to the buffer. Keep in mind all sets must remain within the write buffer page address range. If not, operation will ABORT.

The "write-buffer-page" is selected by choosing address A[21:4].

The second step will be to program the contents of the write buffer page. This is done with one cycle, containing the sector address that was used in step one and the "Write to Buffer Program Confirm" instruction (29h).

Standard suspend/resume commands can be used during the operation of the write-buffer. Also, once the write buffer programming operation is finished, it'll return to the normal READ mode.

Write buffer programming can be conducted in any sequence. However the CFI functions, autoselect, Secured Silicon sector are not functional when program operation is in progress. Multiple write buffer programming operations on the same write buffer address range without intervention erase is accessible. Any bit in a write buffer address range cannot be programmed from 0 back to 1.

W29GL064C



7.2.15 Buffer Write Abort

Write Buffer Programming Sequence will ABORT, if the following condition takes place:

- The word count minus one loaded is bigger than the page buffer size (32) during, “Number of Locations to Program.”
- Sector Address written is not the same as the one specified during the Write-Buffer-Load instruction.
- If the Address/Data set is not inside the Write Buffer Page range which was set during cycle 5's first initial write-buffer-page select address/data set.
- No “Program Confirm Instruction” after the assigned number of “data load” cycles.

After Write Buffer Abort, the status register will be DQ1=1, DQ7 = DATA# (last address loaded), DQ6=toggle, DQ5=0. This status represents a Write Buffer Programming Operation was ABORTED. A Write-to-Buffer-Abort Reset instruction sequence has to be written to reset the device back to the read array mode.

DQ1 is the bit for Buffer Write Abort. When DQ1=1, the device will abort from buffer write operation and go back to read status register shown in the following table:

| Status | DQ7 | DQ6 | DQ5 | DQ3 | DQ2 | DQ1 | RY/#BY |
|----------------------------------|------|--------|-----|-----|-----|-----|--------|
| Buffer Write Busy | DQ7# | Toggle | 0 | N/A | N/A | 0 | 0 |
| Buffer Write Abort | DQ7# | Toggle | 0 | N/A | N/A | 1 | 0 |
| Buffer Write Exceeded Time Limit | DQ7# | Toggle | 1 | N/A | N/A | 0 | 0 |

Table 7-8 Polling Buffer Write Abort Flag

7.2.16 Accelerated Programming Operation

The device will enter the Accelerated Programming mode by applying high voltage (V_{HH}) to the #WP/ACC pin. Accelerated Programming mode allows the system to skip the normal unlock sequences instruction and program byte/word locations directly. The current drawn from the #WP/ACC pin during accelerated programming is no more than I_{ACC1}. Important Note: Do not exceed 10 accelerated programs per sector. (#WP/ACC should not be held at V_{HH} for any other function except for programming or damage to the device may occur.)

7.2.17 Automatic Select Bus Operation

There are basically two methods to access Automatic Selection Operations; Automatic Select Instructions through software commands and High Voltage applied to A9. See Automatic Select Instruction Sequence later on in this section for details of equivalent instruction operations that do not require the use of V_{HH}. The following five bus operations require A9 to be raised to V_{HH}.

7.2.17.1 Sector Lock Status Verification

To verify the protected state of any sector using bus operations, execute a Read Operation with V_{HH} applied to A9, the sector address present on address pins A[21:12], address pins A6, A3, A2, and A0 held Low, and address pins A1 held High. If DQ0 is Low, the sector is considered not protected, and if DQ0 is High, the sector is considered to be protected.

7.2.17.2 Read Silicon Manufacturer ID Code

Winbond's 29GL family of Parallel Flash memories features an Industry Standard compatible Manufacturer ID code of 01h. To verify the Silicon Manufacturer ID code, execute a Read Operation with V_{HH} applied to the A9 pin and address pins A6, A3, A2, A1 and A0 are held Low. The ID code can then be read on data bits DQ[7:0].



7.2.17.3 Read Silicon Device ID Code

To verify the Silicon Device ID Codes, execute a Read Operation with V_{HH} applied to the A9 pin and address pins A6, A3, A2, A1, and A0 have several bit combinations to return the Winbond Device ID codes of 7Eh, 21h or 01h, which is shown on the data bits DQ[7:0]. See [Table 7-2](#).

7.2.17.4 Read Indicator Bit DQ7 for Security Sector High and Low Address

To verify that the Security Sector has been factory locked, execute a Read Operation with V_{HH} applied to A9, address pins A6, A3, and A2 are held Low, and address pins A1 and A0 are held High. If the Security Sector has been factory locked, the code 9Ah(Highest Address Sector) or 8Ah(Lowest Address Sector) will be shown on the data bits DQ[7:0]. Otherwise, the factory unlocked code of 1Ah(H)/0A(L) will be shown.

7.2.18 Automatic Select Operations

The Automatic Select instruction show in [Table 7-13](#) can be executed if the device is in one of the following modes; Read, Program Suspended, Erase-Suspended Read, or CFI. At which time the user can issue (two unlock cycles followed by the Automatic Select instruction 90h) to enter Automatic Select mode. Once in the Automatic Select mode, the user can query the Manufacturer ID, Device ID, Security Sector locked status, or Sector protected status multiple times without executing the unlock cycles and a Automatic Select instruction (90h) again.

Once in Automatic Select mode, executing a Reset instruction (F0h) will return the device back to the valid mode from which it left when the Automatic Select mode was first executed.

Another way previously mentioned to enter Automatic Select mode is to use one of the bus operation shown [Table 7-2](#) in Device Bus Operation. Once the high voltage (V_{HH}) is removed from the A9 pin, the device will return back to the valid mode from which it left when the Automatic Select mode was first executed.

7.2.19 Automatic Select Instruction Sequence

Accessing the manufacturer ID, device ID, and verifying whether or not secured silicon is locked and whether or not a sector protected is the purpose of Automatic Select mode. There are four instruction cycles that comprise the Automatic Select mode. The first two cycles are write unlock commands, followed by the Automatic Select instruction (90h). The fourth cycle is a read cycle, and the user may read at any address any number of times without entering another instruction sequence. To exit the Automatic Select mode and back to read array, the Reset instruction is necessary. No other instructions are allowed except the Reset Instruction once Automatic Select mode has been selected. Refer to the following table for more detailed information.

| | | Address | Data (hex) | Representation |
|-----------------------|------|----------------------|------------|---------------------------|
| Manufacturer ID | Word | X00 | 01 | |
| | Byte | X00 | 01 | |
| Device ID | H/L | Word | X01/0E/0F | 227E/220C/2201 |
| | | Byte | X02/1C/1E | 7E/0C/01 |
| | T/B | Word | X01/0E/0F | 227E/2210/2201(T)/2200(B) |
| | | Byte | X02/1C/1E | 7E/10/01(T)/00(B) |
| Secure Silicon | Word | X03 | 9A/1A(H) | Factory locked/unlocked |
| | | | 8A/0A(L) | |
| | Byte | X06 | 9A/1A(H) | Factory locked/unlocked |
| | | | 8A/0A(L) | |
| Sector Protect Verify | Word | (Sector address) X02 | 00/01 | Unprotected/protected |
| | Byte | (Sector address) X04 | 00/01 | Unprotected/protected |

Table 7-9 Auto Select for MFR/Device ID/Secure Silicon/Sector Protect Read

W29GL064C



7.2.20 Enhanced Variable IO (Evio) Control

The Enhanced Variable IO (Evio) control allows the host system to set the voltage levels that the device generates and tolerates on all inputs and outputs (address, control, and DQ signals). Evio range is 1.65 to Vcc.

For example, a Evio of 1.65-3.6 volts allows for I/O at the 1.8 or 3 volt levels, driving and receiving signals to and from other 1.8 or 3 V devices on the same data bus.

7.2.21 Hardware Data Protection Options

Hardware Data Protection is the second of the two main sector protections offered by the W29GL064.

7.2.21.1 #WP/ACC Option

By setting the #WP/ACC pin to V_{IL}, the highest or lowest sector (device specific) is protected from all erase/program operations. If #WP/ACC is set High, the highest and Lowest sector revert back to the previous protected/unprotected state.

Note: The max input load current can increase, if #WP/ACC pin is at V_{IH} when the device is put into standby mode.

7.2.21.2 VCC Write Protect

This device will not accept any write instructions when VCC is less than VWPT (VCC Write Protect Threshold). This prevents data from inadvertently being altered during power-up, power-down, a temporary power loss or to the low level of VCC. If VCC is lower than VWPT, the device automatically resets itself and will ignore write cycles until VCC is greater than VWPT. Once VCC rises above VWPT, insure that the proper signals are on the control pins to avoid unexpected program or erase operations.

7.2.21.3 Write Pulse “Glitch” Protection

Pulses less than 5ns are viewed as glitches for control signals #CE, #WE, and #OE and will not be considered for valid write cycles.

7.2.21.4 Power-up Write Inhibit

The device ignores the first instruction on the rising edge of #WE, if upon powering up the device, #WE and #CE are set at V_{IL} and #OE is set at V_{IH}.

7.2.21.5 Logical Inhibit

A write cycle is ignored when either #CE is at V_{IH}, #WE is at V_{IH}, or #OE is at V_{IL}. A valid write cycle requires both #CE and #WE are at V_{IL} with #OE at V_{IH}.

7.2.22 Inherent Data Protection

The device built-in mechanism will reset to Read mode during power up to avoid accidental erasure or programming.

7.2.22.1 Instruction Completion

Invalid instruction sets will result in the memory returning to read mode. Only upon a successful completion of a valid instruction set will the device begin its erase or program operation..

7.2.22.2 Power-up Sequence

The device is placed in Read mode, during power-up sequence.

7.2.23 Power Supply Decoupling

To reduce noise effects, a 0.1µF capacitor is recommended to be connected between Vcc and GND.



7.3 Enhanced Sector Protect/Un-protect

This device is set from the factory in the Individual Protection mode of the Enhanced Sector Protect scheme. The user can disable or enable the programming or erasing operation to any individual sector or whole chip. The figure below helps describe an overview of these methods.

The device defaults to the Individual mode and all sectors are unprotected when shipped from the factory.

The following flow chart shows the detailed algorithm of Enhanced Sector Protect:

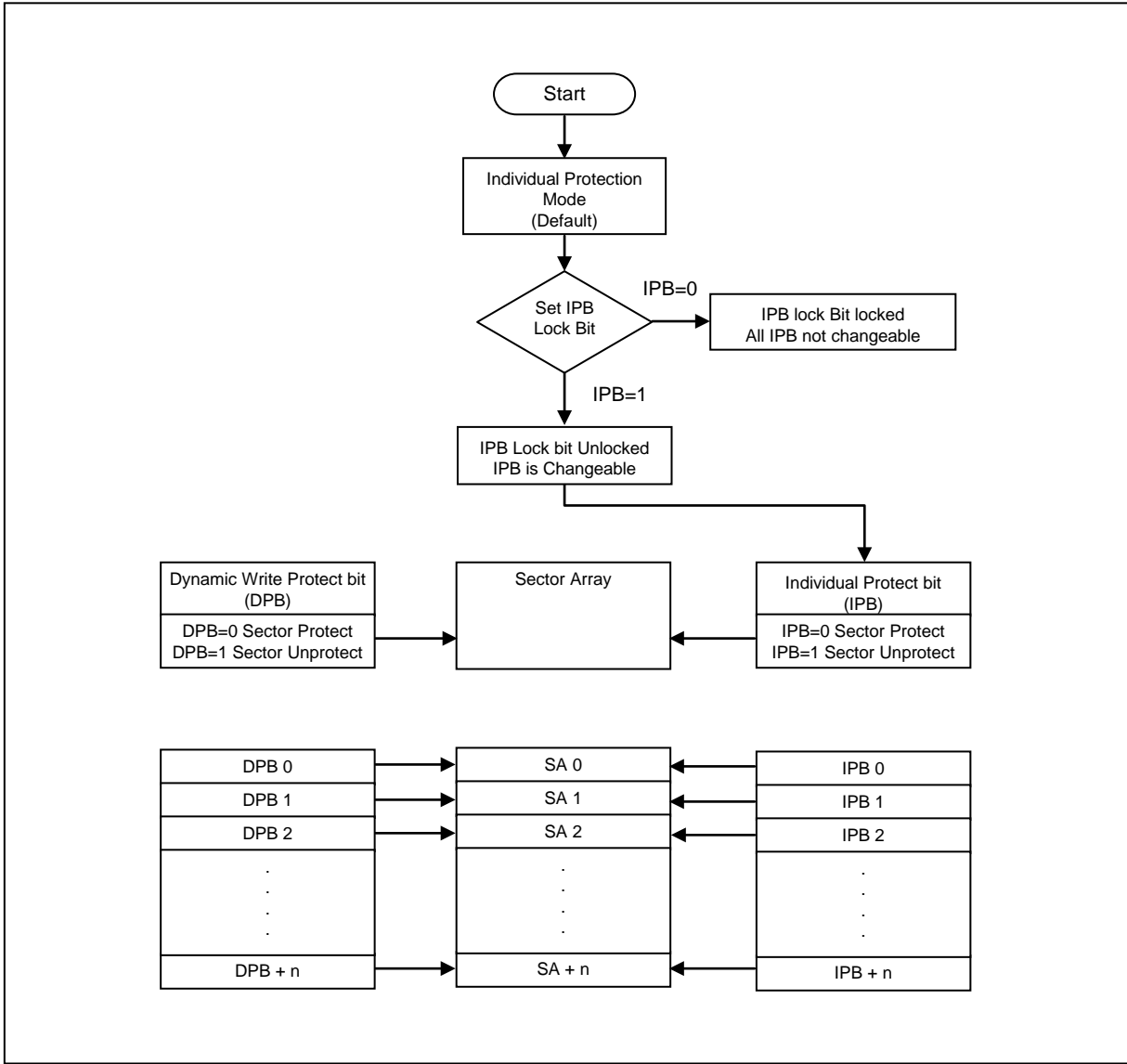


Figure 7-1 Enhanced Sector Protect/Un-protect IPB Program Algorithm

W29GL064C



7.3.1 Lock Register

User can choose Secured Silicon Sector Protection Bit for security sector protection method via setting the Lock Register bit, DQ0. Lock Register is a 16-bit one time programmable register. Once programmed DQ0, will be locked in that mode permanently.

Once the Instruction Set Entry instruction sequence for the Lock Register Bits is issued, all sectors read and write functions are disabled until Lock Register Exit sequence has been executed.

The memory sectors and extended memory sector protection is configured using the Lock Register.

| DQ[15:1] | DQ0 |
|------------|---------------------------------------|
| Don't Care | Secured Silicon Sector Protection Bit |

Table 7-10 Lock Register Bits

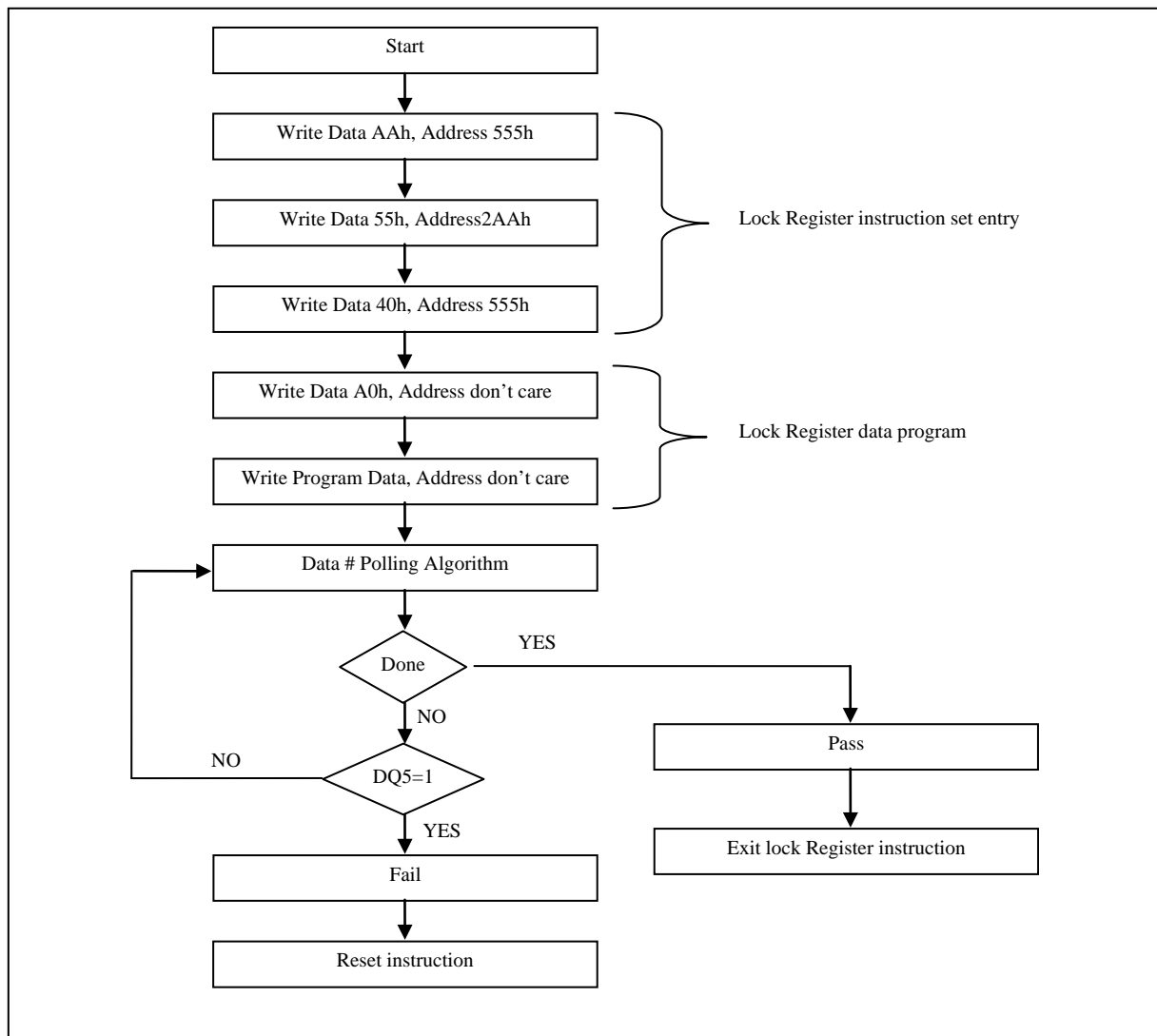


Figure 7-2 Lock Register Program Algorithm



7.3.2 Individual (Non-Volatile) Protection Mode

7.3.2.1 Individual Protection Bits (IPB)

The Individual Protection Bit (IPB) is a nonvolatile bit, one bit per sector, with endurance equal to that of the Flash memory array. Before erasing, IPB preprogramming and verification is managed by the device, so no monitoring is necessary.

The Individual Protection Bits are set sector by sector by the IPB program instruction. Once a IPB is set to "0", the linked sector is protected, blocking any program and/or erase functions on that sector. The IPB cannot be erased individually, but executing the "All IPB Erase" instruction will erase all IPB simultaneously. Read and write functions are disabled when IPB programming is going on for all sectors until this mode exits.

In case one of the protected sectors need to be unprotected, first, the IPB Lock Bit must be set to "1" by performing one of the following: power-cycle the device or perform a hardware reset. Second, an "All IPB Erase instruction needs to be performed. Third, Individual Protection Bits need to be set once again to reflect the desired settings and finally, the IPB Lock Bit needs to be set once again which locks the Individual Protection Bits and the device functions normally once again.

Executing an IPB Read instruction to the device is required to verify the programming state of the IPB for any given sector. Refer to the IPB Program Algorithm flow chart below for details.

Note that

- While IPB Lock Bit is set, Program and/or erase instructions will not be executed and times out without programming and/or erasing the IPB.
- For best protection results, it is recommended to execute the IPB Lock Bit Set instruction early on in the boot code. Also, protect the boot code by holding #WP/ACC = V_{IL}. Note that the IPB and DPB bits perform the same when #WP/ACC = V_{HH}, and when #WP/ACC = V_{IH}.
- While in the IPB command mode, read within that sector will bring the IPB status back for that sector. All Read must be executed by the read mode.
- Issuing the IPB Instruction Set Exit will reset the device to normal read mode enabling reads and writes for the array.

7.3.2.2 Dynamic Protection Bits (DPB)

Dynamic Protection allows the software applications to easily protect sectors against unintentional changes, although, the protection can be readily disabled when changes are needed.

All Dynamic Protection Bits (DPB) are individually linked to their associated sectors and these volatile bits can be modified individually (set or cleared). The DPB provide protection schemes for only unprotected sectors that have their associated IPB cleared. To change a DPB, the "DPB Instruction Set Entry" must be executed first and then either the DPB Set (programmed to "0") or DPB Clear (erased to "1") commands have to be executed. This places each sector in the protected or unprotected state separately. To exit the DPB mode, execute the "DPB Instruction Set Exit" instruction.

Note that

- When the parts are first shipped, the IPB are cleared (erased to "1") and upon power up or reset, the DPB can be set or cleared.

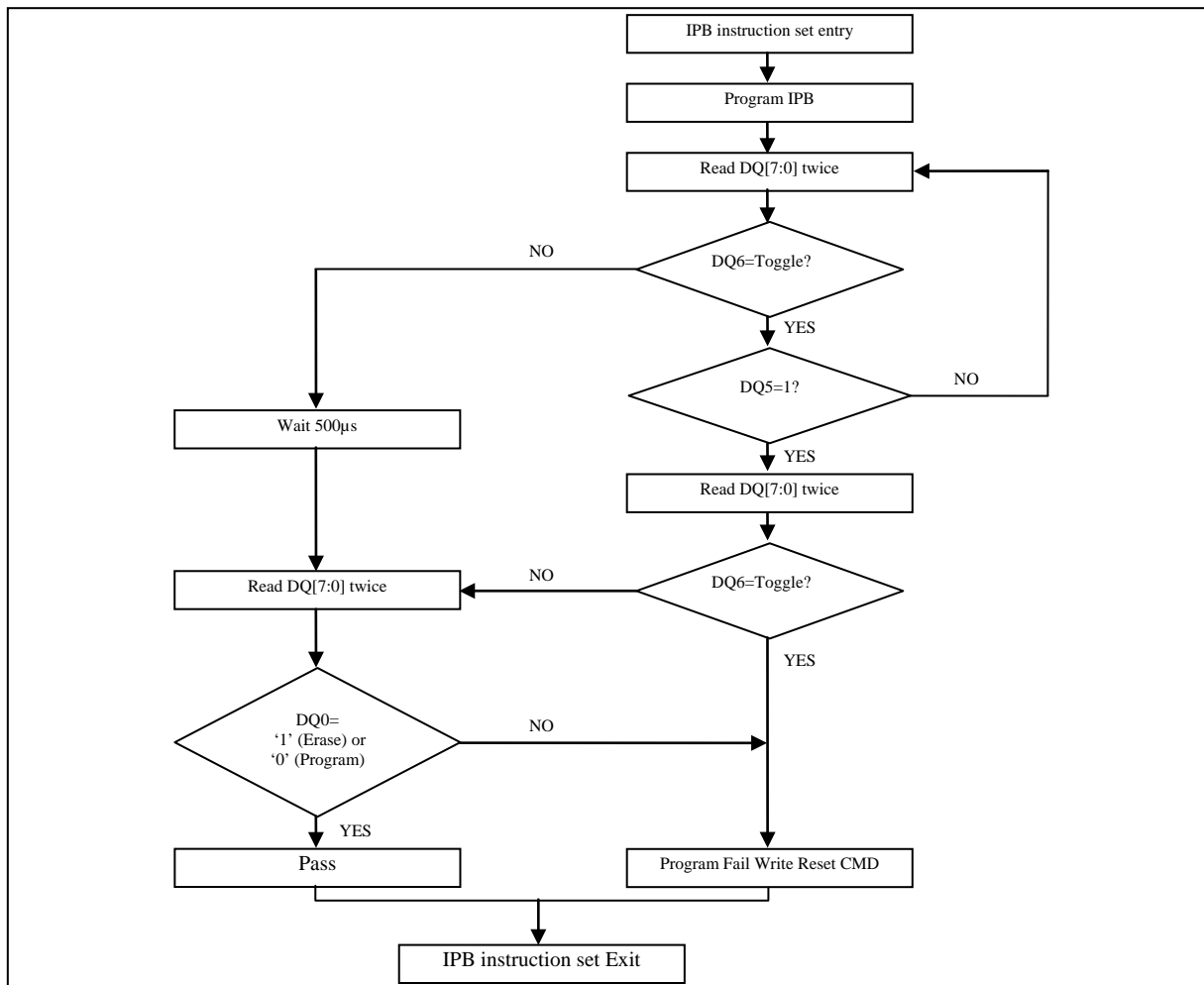


Figure 7-3 IPB Program Algorithm

Note:

1. IPB program/erase status polling flowchart: Check DQ6 toggle, when DQ6 stop toggle, the read status is 00h/01h (00h for program and 01h for erase, otherwise the status is "fail" and "exit").

7.3.2.3 Individual Protection Bit Lock Bit

The Individual Protection Bit Lock Bit (IPBLK) is a global lock bit to control all IPB states. It is a singular volatile bit. If the IPBLK is set ("0"), all IPB are locked and all sectors are protected or unprotected according to their individual IPB. When IPBLK=1 (cleared), all IPB are unlocked and allowed to be set or cleared.

To clear the IPB Lock Bit, a hardware reset or a power-up cycle must be executed.



| Sector Protection Status | | | Sector Status |
|--------------------------|-------|-------|---------------------------------------|
| DPB | IPBLK | IPB | |
| clear | clear | clear | Unprotect, DPB and IPB are changeable |
| clear | clear | set | Protect, DPB and IPB are changeable |
| clear | set | clear | Unprotect, DPB is changeable |
| clear | set | set | Protect, DPB is changeable |
| set | clear | clear | Protect, DPB and IPB are changeable |
| set | clear | set | Protect, DPB and IPB are changeable |
| set | set | clear | Protect, DPB is changeable |
| set | set | set | Protect, DPB is changeable |

Table 7-11 Sector Protection Status Table



7.4 Security Sector Flash Memory Region

An extra memory space length of 128 words is used as the Security Sector Region which can be factory locked or customer lockable. To enquire about the lock status of the device, the customer can issue a Security Sector Protect Verify or Security Sector Factory Protect Verify using Automatic Select Address 03h and DQ7.

The security sector region is unprotected when shipped from factory and the security silicon indicator bit (DQ7) is set to "0" for a customer lockable device. The security sector region is protected when shipped from factory and the security silicon sector indicator bit is set to "1" for a factory-locked device.

7.4.1 Factory Locked: Security Sector Programmed and Protected at factory

In a factory locked device, the Security Sector is permanently locked prior to factory shipment. The ESN occupies addresses 00000h to 00007h in word mode for all configurations since the device has a 16-byte (8-word) ESN(Electronic Serial Number) in the security region.

| Security Silicon Sector Address Range | Standard Factory Locked | Express Flash Factory Locked | Customer Lockable |
|---------------------------------------|-------------------------|-------------------------------|------------------------|
| 000000h-000007h | ESN | ESN or Determined by Customer | Determined by Customer |
| 000008h-00007Fh | Inaccessible | Determined by Customer | |

Table 7-12 Factory Locked: Security Sector

7.4.2 Customer Lockable: Security Sector Not Programmed or Protected

Important Notice; Once the security silicon sector is protected (Lock Register OTP DQ0 = "0", Security Sector indicator DQ7 bit="0"), there is no way to unprotect the security silicon sector and the contents of the memory region can no longer be programmed.

Once the security silicon is locked and verified, an Exit Security Sector Region instruction must be executed to get back to the Read Array mode. A power cycle, or a hardware reset will also return the device to read array mode.

This region can act as extra memory space when this security feature is not utilized. It is important to note, the security sector region is a One Time Programmable (OTP) region. You can overwrite a WORD, but you cannot change the state of a programmed cell.



7.5 Instruction Definition Tables

| Instruction | | 1st Bus Cycle | | 2nd Bus Cycle | | 3rd Bus Cycle | | 4th Bus Cycle | | 5th Bus Cycle | | 6th Bus Cycle | | |
|----------------------|------------------------|---------------|------|---------------|------|---------------|------|---------------|---------|----------------------|------|---------------|------|-----|
| | | ADD | DATA | ADD | DATA | ADD | DATA | ADD | DATA | ADD | DATA | ADD | DATA | |
| Read Mode | WORD | Add | Data | | | | | | | | | | | |
| | BYTE | Add | Data | | | | | | | | | | | |
| Reset Mode | WORD | XXX | F0 | | | | | | | | | | | |
| | BYTE | XXX | F0 | | | | | | | | | | | |
| Automatic Select | Silicon ID | WORD | 555 | AA | 2AA | 55 | 555 | 90 | X00 | 01 | | | | |
| | | BYTE | AAA | AA | 555 | 55 | AAA | 90 | X00 | 01 | | | | |
| | Device ID | WORD | 555 | AA | 2AA | 55 | 555 | 90 | X01 | ID1 | X0E | ID2 | X0F | ID3 |
| | | BYTE | AAA | AA | 555 | 55 | AAA | 90 | X02 | ID1 | X1C | ID2 | X1E | ID3 |
| | Factory Protect Verify | WORD | 555 | AA | 2AA | 55 | 555 | 90 | X03 | 9A/1A(H) 8A/0A(L) | | | | |
| | | BYTE | AAA | AA | 555 | 55 | AAA | 90 | X06 | 9A/1A(H) 8A/0A(L) | | | | |
| | Sector Protect Verify | WORD | 555 | AA | 2AA | 55 | 555 | 90 | (SA)X02 | 00/01 | | | | |
| | | BYTE | AAA | AA | 555 | 55 | AAA | 90 | (SA)X04 | 00/01 | | | | |
| | Security Sector Region | WORD | 555 | AA | 2AA | 55 | 555 | 88 | | | | | | |
| | | BYTE | AAA | AA | 555 | 55 | AAA | 88 | | | | | | |
| Exit Security Sector | WORD | 555 | AA | 2AA | 55 | 555 | 90 | XXX | 00 | | | | | |
| | BYTE | AAA | AA | 555 | 55 | AAA | 90 | XXX | 00 | | | | | |

Table 7-13 ID Reads, Sector Verify, and Security Sector Entry/Exit

W29GL064C



| Instruction | | 1st Bus Cycle | | 2nd Bus Cycle | | 3rd Bus Cycle | | 4th Bus Cycle | | 5th Bus Cycle | | 6th Bus Cycle | |
|-------------------------------------|------|---------------|------|---------------|------|---------------|------|---------------|------|---------------|------|---------------|------|
| | | ADD | DATA | ADD | DATA | ADD | DATA | ADD | DATA | ADD | DATA | ADD | DATA |
| Program | WORD | 555 | AA | 2AA | 55 | 555 | A0 | Add | Data | | | | |
| | BYTE | AAA | AA | 555 | 55 | AAA | A0 | Add | Data | | | | |
| Write to Buffer Program | WORD | 555 | AA | 2AA | 55 | SA | 25 | SA | N-1 | WA | WD | WBL | WD |
| | BYTE | AAA | AA | 555 | 55 | SA | 25 | SA | N-1 | WA | WD | WBL | WD |
| Write to Buffer Program Abort Reset | WORD | 555 | AA | 2AA | 55 | 555 | F0 | | | | | | |
| | BYTE | AAA | AA | 555 | 55 | AAA | F0 | | | | | | |
| Write to Buffer Program Confirm | WORD | SA | 29 | | | | | | | | | | |
| | BYTE | SA | 29 | | | | | | | | | | |
| Chip Erase | WORD | 555 | AA | 2AA | 55 | 555 | 80 | 555 | AA | 2AA | 55 | 555 | 10 |
| | BYTE | AAA | AA | 555 | 55 | AAA | 80 | AAA | AA | 555 | 55 | AAA | 10 |
| Sector Erase | WORD | 555 | AA | 2AA | 55 | 555 | 80 | 555 | AA | 2AA | 55 | SA | 30 |
| | BYTE | AAA | AA | 555 | 55 | AAA | 80 | AAA | AA | 555 | 55 | SA | 30 |
| CFI Read | WORD | 55 | 98 | | | | | | | | | | |
| | BYTE | AA | 98 | | | | | | | | | | |
| Program/Erase Suspend | WORD | XXX | B0 | | | | | | | | | | |
| | BYTE | XXX | B0 | | | | | | | | | | |
| Program/Erase Resume | WORD | XXX | 30 | | | | | | | | | | |
| | BYTE | XXX | 30 | | | | | | | | | | |

Table 7-14 Program, Write Buffer, CFI, Erase and Suspend

WA=WRITE ADDRESS, WD=WRITE DATA, SA=SECTOR ADDRESS, N-1=WORD COUNT, WBL=WRITEBUFFER LOCATION, ID1/ID2/ID3: REFER TO [Table 7-2](#) FOR DETAIL ID.

| Instruction | | 1st Bus Cycle | | 2nd Bus Cycle | | 3rd Bus Cycle | | 4th Bus Cycle | | 5th Bus Cycle | | |
|-----------------|-------|---------------|------|---------------|------|---------------|------|---------------|------|---------------|------|--|
| | | ADD | DATA | ADD | DATA | ADD | DATA | ADD | DATA | ADD | DATA | |
| Deep Power Down | ENTER | WORD | 555 | AA | 2AA | 55 | XXX | B9 | | | | |
| | | BYTE | AAA | AA | 555 | 55 | XXX | B9 | | | | |
| | EXIT | WORD | XXX | AB | | | | | | | | |
| | | BYTE | XXX | AB | | | | | | | | |

Table 7-15 Deep Power Down



| Instruction | | | 1st Bus Cycle | | 2nd Bus Cycle | | 3rd Bus Cycle | | 4th Bus Cycle | | 5th Bus Cycle | |
|--------------------------------|-------------------------------------|------|---------------|-------|---------------|------|---------------|------|---------------|------|---------------|------|
| | | | ADD | DATA | ADD | DATA | ADD | DATA | ADD | DATA | ADD | DATA |
| Lock Register | Lock Register Instruction Set Entry | WORD | 555 | AA | 2AA | 55 | 555 | 40 | | | | |
| | | BYTE | AAA | AA | 555 | 55 | AAA | 40 | | | | |
| | Program | WORD | XXX | A0 | XXX | DATA | | | | | | |
| | | BYTE | XXX | A0 | XXX | DATA | | | | | | |
| | Read | WORD | XXX | DATA | | | | | | | | |
| | | BYTE | XXX | DATA | | | | | | | | |
| Lock Register Instruction Exit | WORD | XXX | 90 | XXX | 00 | | | | | | | |
| | BYTE | XXX | 90 | XXX | 00 | | | | | | | |
| Global Non-Volatile | IPB Instruction Set Entry | WORD | 555 | AA | 2AA | 55 | 555 | C0 | | | | |
| | | BYTE | AAA | AA | 555 | 55 | AAA | C0 | | | | |
| | IPB Program | WORD | XXX | A0 | SA | 00 | | | | | | |
| | | BYTE | XXX | A0 | SA | 00 | | | | | | |
| | All IPB Erase | WORD | XXX | 80 | 00 | 30 | | | | | | |
| | | BYTE | XXX | 80 | 00 | 30 | | | | | | |
| | IPB Status Read | WORD | SA | 00/01 | | | | | | | | |
| | | BYTE | SA | 00/01 | | | | | | | | |

Table 7-16 Lock Register and Global Non-Volatile

| Instruction | | | 1st Bus Cycle | | 2nd Bus Cycle | | 3rd Bus Cycle | | 4th Bus Cycle | | 5th Bus Cycle | |
|-------------------------------|---------------------------|------|---------------|-------|---------------|------|---------------|------|---------------|------|---------------|------|
| | | | ADD | DATA | ADD | DATA | ADD | DATA | ADD | DATA | ADD | DATA |
| Global Non-Volatile | IPB Instruction Set Exit | WORD | XXX | 90 | XXX | 00 | | | | | | |
| | | BYTE | XXX | 90 | XXX | 00 | | | | | | |
| Global Volatile Freeze | IPB Instruction Set Entry | WORD | 555 | AA | 2AA | 55 | 555 | 50 | | | | |
| | | BYTE | AAA | AA | 555 | 55 | AAA | 50 | | | | |
| | IPB Lock Set | WORD | XXX | A0 | XXX | 00 | | | | | | |
| | | BYTE | XXX | A0 | XXX | 00 | | | | | | |
| | IPB Lock Status Read | WORD | XXX | 00/01 | | | | | | | | |
| | | BYTE | XXX | 00/01 | | | | | | | | |
| IPB Lock Instruction Set Exit | WORD | XXX | 90 | XXX | 00 | | | | | | | |
| | BYTE | XXX | 90 | XXX | 00 | | | | | | | |

Table 7-17 IPB Functions



| Instruction | | | 1st Bus Cycle | | 2nd Bus Cycle | | 3rd Bus Cycle | | 4th Bus Cycle | | 5th Bus Cycle | |
|-------------|---------------------------|------|---------------|-------|---------------|------|---------------|------|---------------|------|---------------|------|
| | | | ADD | DATA | ADD | DATA | ADD | DATA | ADD | DATA | ADD | DATA |
| Volatile | DPB Instruction Set Entry | WORD | 555 | AA | 2AA | 55 | 555 | E0 | | | | |
| | | BYTE | AAA | AA | 555 | 55 | AAA | E0 | | | | |
| | DPB Set | WORD | XXX | A0 | SA | 00 | | | | | | |
| | | BYTE | XXX | A0 | SA | 00 | | | | | | |
| | DPB Clear | WORD | XXX | A0 | SA | 01 | | | | | | |
| | | BYTE | XXX | A0 | SA | 01 | | | | | | |
| | DPB Status READ | WORD | SA | 00/01 | | | | | | | | |
| | | BYTE | SA | 00/01 | | | | | | | | |
| | DPB Instruction Set Exit | WORD | XXX | 90 | XXX | 00 | | | | | | |
| | | BYTE | XXX | 90 | XXX | 00 | | | | | | |

Table 7-18 Volatile DPB Functions

Notes:

1. It is not recommended to use any other code that is not in the instruction definition table which can potentially enter the hidden mode.
2. For the IPB Lock and DPB Status Read "00" represents lock (protect), "01" represents unlock (unprotect).



7.6 Common Flash Memory Interface (CFI) Mode

7.6.1 Query Instruction and Common Flash memory Interface (CFI) Mode

Through Common Flash Interface (CFI) operations it is possible to access the operating characteristics, structure and vendor specific information, such as identifying information, memory size, byte/word configuration, operating voltages and timing information of this device. From the Read array mode writing CFI Read instruction 98h to the address "55h"/"AAh" (Word/Byte, respectively), the device will gain access to the CFI Query Mode. Once in the CFI mode data can be read using the addresses given in Table 7-19 thru 7-22.

A reset instruction must be executed to exit CFI mode and the device will return to read array mode.

CFI mode: Identification Data Values (All Values in these tables are hexadecimal)

| Description | Address (Word Mode) | Data | Address (Byte Mode) |
|--|------------------------|-------|------------------------|
| Query-unique ASII string "QRY" | 10h | 0051h | 20h |
| | 11h | 0052h | 22h |
| | 12h | 0059h | 24h |
| Primary vendor instruction set and control interface ID code | 13h | 0002h | 26h |
| | 14h | 0000h | 28h |
| Address for primary algorithm extended query table | 15h | 0040h | 2Ah |
| | 16h | 0000h | 2Ch |
| Alternate vendor instruction set and control interface ID code | 17h | 0000h | 2Eh |
| | 18h | 0000h | 30h |
| Address for alternate algorithm extended query table | 19h | 0000h | 32h |
| | 1Ah | 0000h | 34h |

Table 7-19 CFI Mode: ID Data Values

W29GL064C



CFI mode: System Interface Data Values

| Description | Address (Word Mode) | Data | Address (Byte Mode) |
|---|---------------------|-------|---------------------|
| VCC supply minimum program/erase voltage | 1Bh | 0027h | 36h |
| VCC supply maximum program/erase voltage | 1Ch | 0036h | 38h |
| VPP supply minimum program/erase voltage | 1Dh | 0000h | 3Ah |
| VPP supply maximum program/erase voltage | 1Eh | 0000h | 3Ch |
| Typical timeout per single word/byte write, $2^n \mu\text{s}$ | 1Fh | 0003h | 3Eh |
| Typical timeout for maximum-size buffer write, $2^n \mu\text{s}$ (00h, not support) | 20h | 0004h | 40h |
| Typical timeout per individual block erase, 2^nms | 21h | 0008h | 42h |
| Typical timeout for full chip erase, 2^nms (00h, not support) | 22h | 000Eh | 44h |
| Maximum timeout for word/byte write, 2^n times typical | 23h | 0003h | 46h |
| Maximum timeout for buffer write, 2^n times typical | 24h | 0005h | 48h |
| Maximum timeout per individual block erase, 2^n times typical | 25h | 0003h | 4Ah |
| Maximum timeout for chip erase, 2^n times typical (00h, not support) | 26h | 0003h | 4Ch |

Table 7-20 CFI Mode: System Interface Data Values



CFI mode: Device Geometry Data Values

| Description | Address (Word Mode) | Data | Address (Byte Mode) |
|---|------------------------|-------|------------------------|
| Device size = 2 ⁿ in number of bytes (17h=64Mb) | 27h | 0017h | 4Eh |
| Flash device interface description (02=asynchronous x8/x16) | 28h | 0002h | 50h |
| | 29h | 0000h | 52h |
| Maximum number of bytes in buffer write = 2 ⁿ (00h, not support) | 2Ah | 0005h | 54h |
| | 2Bh | 0000h | 56h |
| Number of erase regions within device H/L = 01h:uniform T/B = 02h:boot) | 2Ch | 00xxh | 58h |
| Index for Erase Bank Area 1: [2E,2D] = # of same-size sectors in region 1-1 [30, 2F] = sector size in multiples of 256K-bytes T/B = 0007, 0000, 0020, 0000 H/L = 007F, 0000, 0000, 0001 | 2Dh | 00xxh | 5Ah |
| | 2Eh | 0000h | 5Ch |
| | 2Fh | 00xxh | 5Eh |
| | 30h | 00xxh | 60h |
| Index for Erase Bank Area 2 T/B = 007E, 0000, 0000, 0001 H/L = 0000, 0000, 0000, 0000 | 31h | 00xxh | 62h |
| | 32h | 0000h | 64h |
| | 33h | 0000h | 66h |
| | 34h | 00xxh | 68h |
| Index for Erase Bank Area 3 | 35h | 0000h | 6Ah |
| | 36h | 0000h | 6Ch |
| | 37h | 0000h | 6Eh |
| | 38h | 0000h | 70h |
| Index for Erase Bank Area 4 | 39h | 0000h | 72h |
| | 3Ah | 0000h | 74h |
| | 3Bh | 0000h | 76h |
| | 3Ch | 0000h | 78h |

Table 7-21 CFI Mode: Device Geometry Data Values

W29GL064C



CFI mode: Primary Vendor-Specific Extended Query Data Values

| Description | Address (Word Mode) | Data | Address (Byte Mode) |
|--|---------------------|-------|---------------------|
| Query - Primary extended table, unique ASCII string, PRI | 40h | 0050h | 80h |
| | 41h | 0052h | 82h |
| | 42h | 0049h | 84h |
| Major version number, ASCII | 43h | 0031h | 86h |
| Minor version number, ASCII | 44h | 0033h | 88h |
| Unlock recognizes address (0= recognize, 1= don't recognize) | 45h | 000Ch | 8Ah |
| Erase suspend (2= to both read and program) | 46h | 0002h | 8Ch |
| Sector protect (N= # of sectors/group) | 47h | 0001h | 8Eh |
| Temporary sector unprotect (1=supported) | 48h | 0000h | 90h |
| Sector protect/Chip unprotect scheme | 49h | 0008h | 92h |
| Simultaneous R/W operation (0=not supported) | 4Ah | 0000h | 94h |
| Burst mode (0=not supported) | 4Bh | 0000h | 96h |
| Page mode (0=not supported, 01 = 4 word page, 02 = 8 word page) | 4Ch | 0002h | 98h |
| Minimum ACC(acceleration) supply (0= not supported), [D7:D4] for volt, [D3:D0] for 100mV | 4Dh | 0095h | 9Ah |
| Maximum ACC(acceleration) supply (0= not supported), [D7:D4] for volt, [D3:D0] for 100mV | 4Eh | 00A5h | 9Ch |
| #WP Protection 02=Bottom boot sectors #WP Protect 03=Top boot sectors #WP Protected 04=Uniform sectors bottom #WP protect 05=Uniform sectors top #WP protect | 4Fh | 00xxh | 9Eh |
| Program Suspend (0=not supported, 1=supported) | 50h | 0001h | A0h |

Table 7-22 CFI mode: Primary Vendor-Specific Extended Query Data Values



8 ELECTRICAL CHARACTERISTICS

8.1 Absolute Maximum Stress Ratings

| | |
|---|--------------------|
| Surrounding Temperature with Bias | -65°C to +125°C |
| Storage Temperature | -65°C to +150°C |
| VCC Voltage Range | -0.5V to +4.0V |
| EVIO Voltage Range | -0.5V to +4.0V |
| A9, #WP/ACC Voltage Range | -0.5V to +10.5V |
| Other Pins Voltage Range | -0.5V to VCC +0.5V |
| Output Short Circuit Current (less than one second) | 200 mA |

Table 8-1 Absolute Maximum Stress Ratings

8.2 Operating Temperature and Voltage

| | |
|---|----------------|
| Industrial Grade Surrounding Temperature (TA) | -40°C to +85°C |
| Full VCC Range Supply Voltage | +2.7V to 3.6V |
| Regulated VCC Range Supply Voltage | +3.0V to 3.6V |
| EVIO Range Supply Voltage ⁽¹⁾ | 1.65V to VCC |

Table 8-2 Operating Temperature and Voltage

NOTE:

1. The EVIO feature was designed to support voltages from 1.65V to VCC. Device testing is conducted at EVIO=VCC.
2. Stresses greater than those listed under ABSOLUTE MAXIMUM RATINGS may cause permanent damage to the device. This is stress rating only and functional operational sections of this specification are not implied. Exposure to absolute maximum rating conditions for extended period may affect reliability.
3. Specifications contained within the following tables are subject to change.
4. During voltage transitions, all pins may overshoot Vss to -2.0V and Vcc to +2.0V for periods up to 20ns, see below Figure.

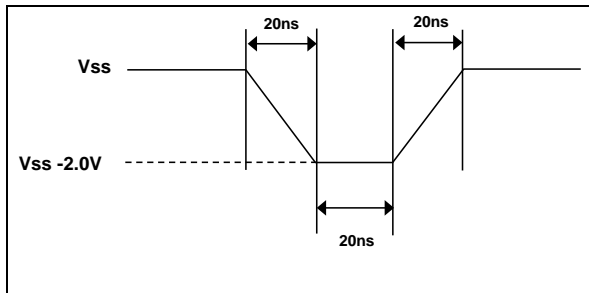


Figure 8-1 Maximum Negative Overshoot

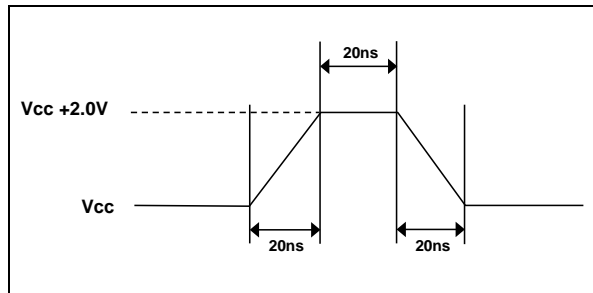


Figure 8-2 Maximum Positive Overshoot



8.3 DC Characteristics

| DESCRIPTION | SYMBOL | Conditions | MIN | TYP. | MAX | Unit |
|--|--------|---|-----------|------|----------|------|
| Input Leak | ILI | Others | | | ±2.0 | µA |
| | | #WP/ACC | | | ±5.0 | µA |
| A9 Leak | ILIT | A9=10.5V | | | 35 | µA |
| Output Leak | ILO | | | | ±1.0 | µA |
| Read Current | Icc1 | #CE=VIL, #OE=VIH, VCC=VCCmax:f=1MHz | | 6 | 20 | mA |
| | | #CE=VIL, #OE=VIH, VCC=VCCmax:f=5MHz | | 20 | 30 | mA |
| | | #CE=VIL, #OE=VIH, VCC=VCCmax:f=10MHz, | | 45 | 55 | mA |
| Vcc Page Read Current | Icc2 | #CE=VIL, #OE=VIH, VCC=VCCmax:f=10MHz | | 7 | 15 | mA |
| | | #CE=VIL, #OE=VIH, VCC=VCCmax:f=33MHz, | | 15 | 25 | mA |
| EVIO Non-active Current | Iio | | | 0.2 | 10 | mA |
| Write Current | Icc3 | #CE=VIL, #OE=VIH, VCC=VCCmax | | 20 | 30 | mA |
| Standby Current | Icc4 | VCC=VCCmax, EVIO=VCC, #OE=VIH, (#CE, #RESET)=VSS ±0.3V, VIL= (VSS+0.3V/-0.1V) | | 10 | 30 | µA |
| Reset Current | Icc5 | VCC=VCCmax, #RESET enabled, other pins disabled | | 10 | 20 | µA |
| Sleep Mode Current | Icc6 | VCC=VCCmax, VIH=VCC ±0.3, VIL=VSS +(0.3v/-0.1v), #WP/ACC=VIH | | 10 | 20 | µA |
| Vcc deep power down current | IDPD | | | 1 | 5 | µA |
| Accelerated Pgm Current, #WP/ACC, pin(Word/Byte) | IACC1 | #CE=VIL, #OE=VIH | | 5 | 10 | mA |
| Accelerated Pgm Current, Vcc pin, (Word/Byte) | IACC2 | #CE=VIL, #OE=VIH | | 20 | 30 | mA |
| Input Low Voltage | VIL | | -0.1 | | 0.3xEVIO | V |
| Input High Voltage | VIH | | 0.7xEVIO | | EVIO+0.3 | V |
| Very High Voltage for Auto Select/ Accelerated Program | VHH | | 9.5 | | 10.5 | |
| Output Low Voltage | VOL | IOL=100µA | | | 0.45 | V |
| Output High Voltage | VOH | IOH=-100µA | 0.85xEVIO | | | V |
| VCC Write Protect Threshold | VWPT | | 2.3 | | 2.5 | V |

Table 8-3 DC Characteristics

Note:

1. Sleep mode enable the lower power when address remain stable for tAA+30ns.



8.4 Switching Test Circuits

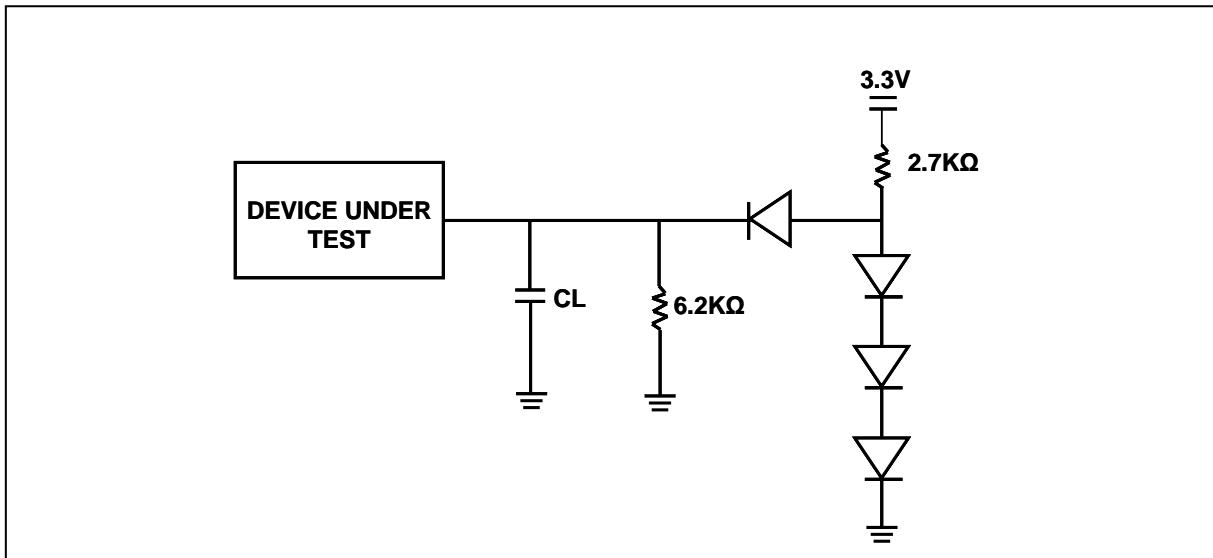


Figure 8-3 Switch Test Circuit

| Test Condition | All Speeds | Unit |
|--|------------|------|
| Output Load | 1TTL gate | |
| Output Load Capacitance | 30 | pF |
| Rise/Fall Times | 5 | ns |
| Input Pulse levels | 0.0 - EVIO | V |
| Input timing measurement reference level (If $EVIO < V_{CC}$, the reference level is $0.5 EVIO$) | $0.5 EVIO$ | V |
| Output timing measurement reference levels | $0.5 EVIO$ | V |

Table 8-4 Test Specification

8.4.1 Switching Test Waveform

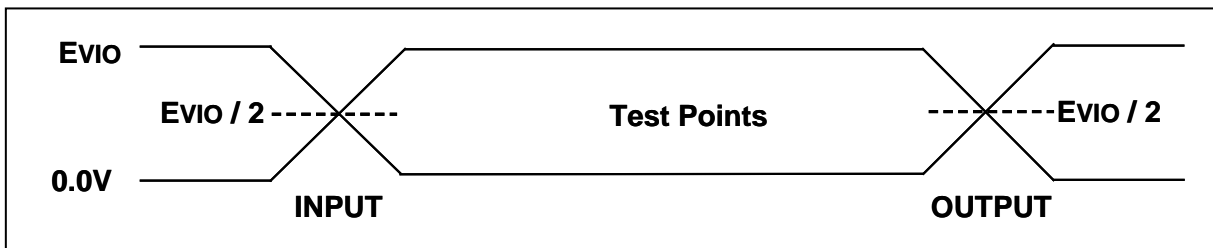


Figure 8-4 Switching Test Waveform

W29GL064C



8.5 AC Characteristics

| Description | | Symbol | | V _{CC} =2.7V~3.6V | | | |
|---|---|--------|--------|----------------------------|-----|-----|-------|
| | | ALT | STD | Min | Typ | Max | Units |
| Valid Data Output after Address | E _{VIO} =V _{CC} | tACC | tAA | | | 70 | ns |
| | E _{VIO} =1.65V to V _{CC} ⁽¹⁾ | | | | | 80 | ns |
| Page Access Time | E _{VIO} =V _{CC} | tPACC | tPA | | | 25 | ns |
| | E _{VIO} =1.65V to V _{CC} ⁽¹⁾ | | | | | 35 | ns |
| Valid data output after #CE low | E _{VIO} =V _{CC} | | tCE | | | 70 | ns |
| | E _{VIO} =1.65V to V _{CC} ⁽¹⁾ | | | | | 80 | ns |
| Valid data output after #OE low | E _{VIO} =V _{CC} | | tOE | | | 25 | ns |
| | E _{VIO} =1.65V to V _{CC} ⁽¹⁾ | | | | | 35 | ns |
| Read Period Time | E _{VIO} =V _{CC} | | tRC | 70 | | | ns |
| | E _{VIO} =1.65V to V _{CC} ⁽¹⁾ | | | 80 | | | ns |
| Data Output High Impedance after #OE high | | | tDF | | | 20 | ns |
| Data Output High Impedance after #CE high | | | tDF | | | 20 | ns |
| Output Hold Time from the earliest rising edge of address, #CE, #OE | | | tOH | 0 | | | ns |
| Write Period Time | | | tWC | 70 | | | ns |
| Command write period time | | | tCWC | 70 | | | ns |
| Address Setup Time | | | tAS | 0 | | | ns |
| Address Setup Time to #OE low during Toggle Bit Polling | | | tASO | 15 | | | ns |
| Address Hold Time | | | tAH | 45 | | | ns |
| Address Hold Time from #CE or #OE High during Toggle Bit Polling | | | tAHT | 0 | | | ns |
| Data Setup Time | | | tDS | 30 | | | ns |
| Data Hold Time | | | tDH | 0 | | | ns |
| V _{CC} Setup Time | | | tVCS | 35 | | | μs |
| Chip enable Setup Time | | | tCS | 0 | | | ns |
| Chip enable Hold Time | | | tCH | 0 | | | ns |
| Output enable Setup Time | | | tOES | 0 | | | ns |
| Output enable Hold Time | Read | | tOEH | 0 | | | ns |
| | Toggle & Data# Polling | | | 10 | | | ns |
| #WE Setup Time | | | tWS | 0 | | | ns |
| #WE Hold Time | | | tWH | 0 | | | ns |
| #CE Pulse Width | | tCP | tCEPW | 35 | | | ns |
| #CE Pulse With High | | tCPH | tCEPWH | 30 | | | ns |
| #WE Pulse Width | | tWP | tWEPW | 35 | | | ns |
| #WE Pulse Width High | | tWPH | tWEPWH | 30 | | | ns |
| Program/Erase active time by RY/#BY | E _{VIO} =V _{CC} | | tBUSY | | | 70 | ns |
| | E _{VIO} =1.65V to V _{CC} | | | | | 80 | ns |
| Read Recover Time before Write (#OE High to #WE Low) | | | tGHWL | 0 | | | ns |
| Read Recover Time before Write (#OE High to #CE Low) | | | tGHCL | 0 | | | ns |
| 16-Word Write Buffer Program Operation | | | tWHWH1 | | 96 | | μs |
| Effective Write Buffer Program Operation | Word | | tWHWH1 | | 6 | | μs |
| Accelerated Effective Write Buffer Operation | Per Word | | tWHWH1 | | 4.8 | | μs |
| Program Operation | Byte | | tWHWH1 | | 6 | 200 | μs |
| Program Operation | Word | | tWHWH1 | | 6 | 200 | μs |
| ACC 16-Word Program Operation | | | tWHWH1 | | 77 | | μs |



| Description | Symbol | | V _{CC} =2.7V~3.6V | | | |
|-----------------------------------|--------|--------------------|----------------------------|------|-----|-------|
| | ALT | STD | Min | Typ | Max | Units |
| Sector Erase Operation | | t _{WHWH2} | | 0.15 | 2 | Sec |
| Sector Erase Timeout | | t _{SEA} | | | 50 | μs |
| Release from Deep Power Down mode | | t _{RDP} | 100 | | 200 | μs |

Table 8-5 AC Characteristics

Note:

1. The EVIO feature was designed to support voltages from 1.65V to V_{CC}. Device testing is conducted at EVIO=V_{CC}.

8.5.1 Instruction Write Operation

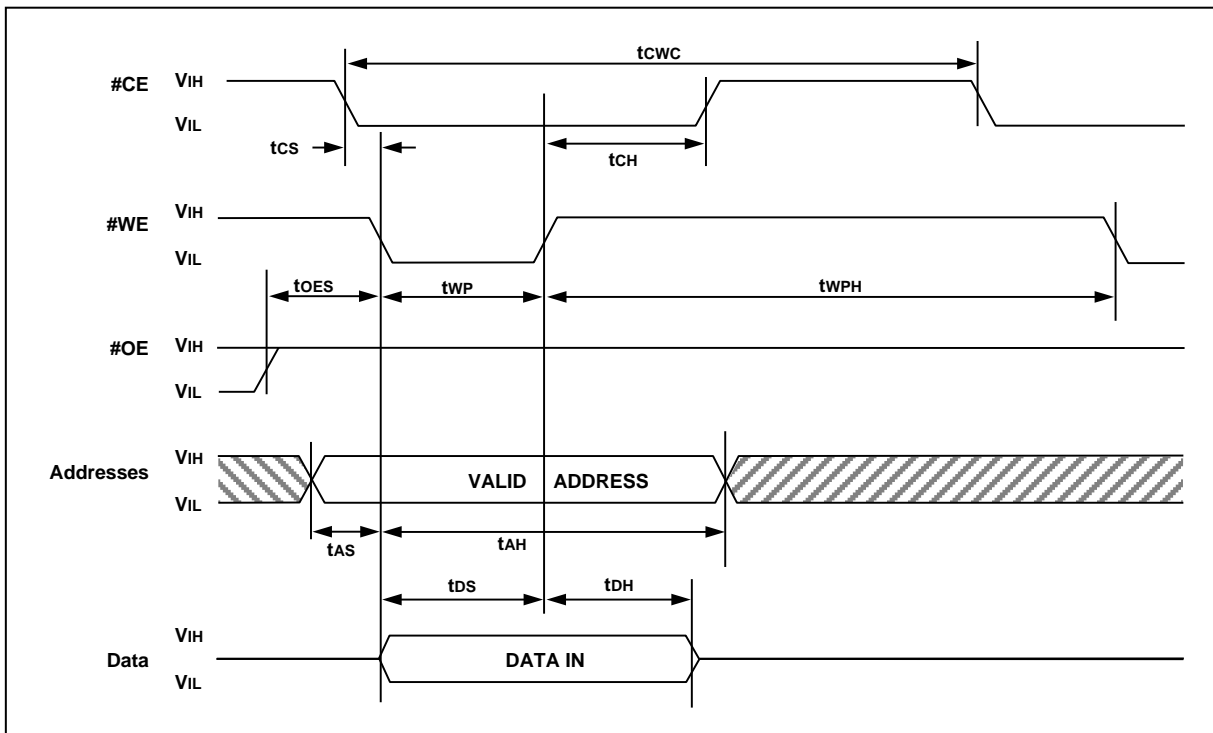


Figure 8-5 Instruction Write Operation Waveform

W29GL064C



8.5.2 Read / Reset Operation

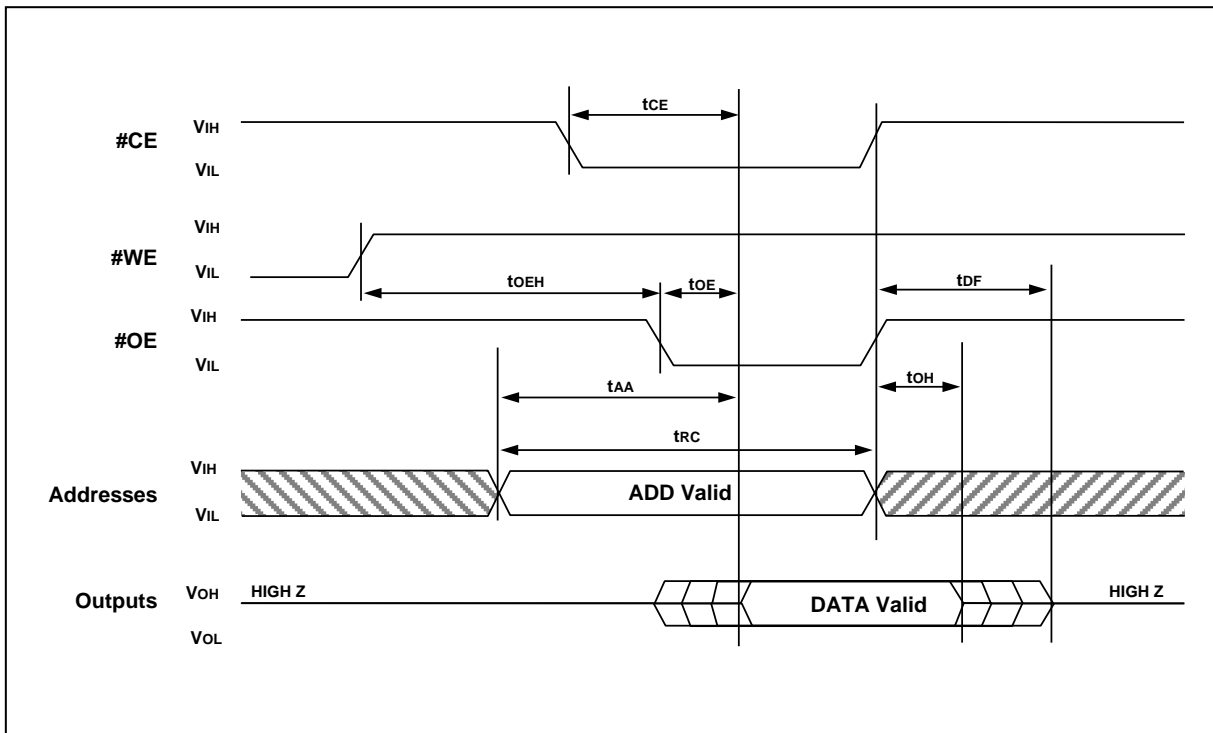


Figure 8-6 Read Timing Waveform

8.5.2.1 AC Characteristics

| Description | Symbol | Setup | Speed | Unit |
|--|---------|-------|-------|------|
| #RESET Pulse Width (During Automatic Algorithm) | trp1 | MIN | 10 | μs |
| #RESET Pulse Width (NOT During Automatic Algorithm) | trp2 | MIN | 500 | ns |
| #RESET High Time Before Read | trh | MIN | 200 | ns |
| RY/#BY Recovery Time (to #CE, #OE goes low) | trb1 | MIN | 0 | ns |
| RY/#BY Recovery Time (to #WE goes low) | trb2 | MIN | 50 | ns |
| #RESET Low (During Automatic Algorithm) to Read or Write | tready1 | MAX | 20 | μs |
| #RESET Low (Not During Automatic Algorithm) to Read or Write | tready2 | MAX | 500 | ns |

Table 8-6 AC Characteristics #RESET and RY/#BY

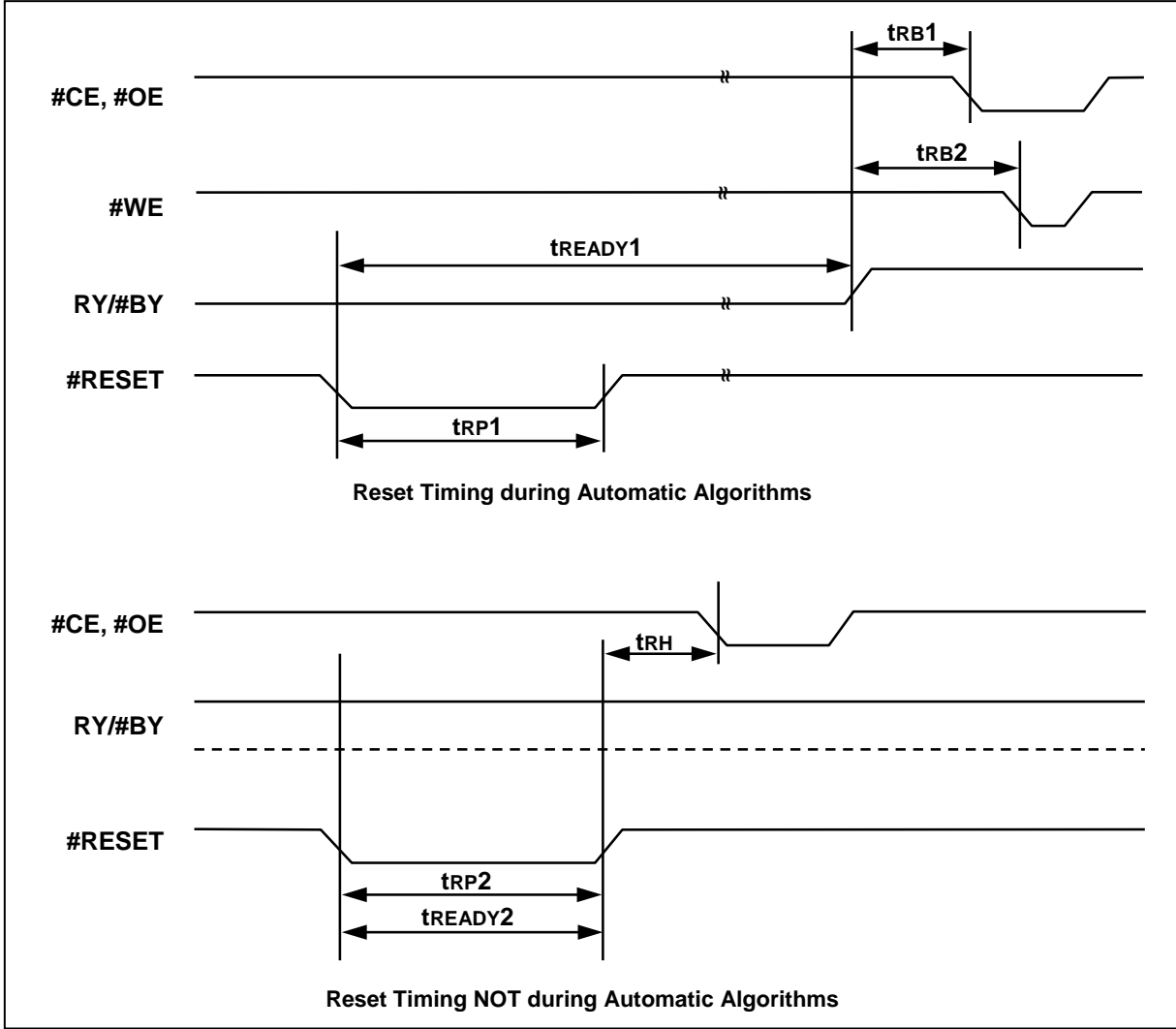


Figure 8-7 #RESET Timing Waveform

W29GL064C



8.5.3 Erase/Program Operation

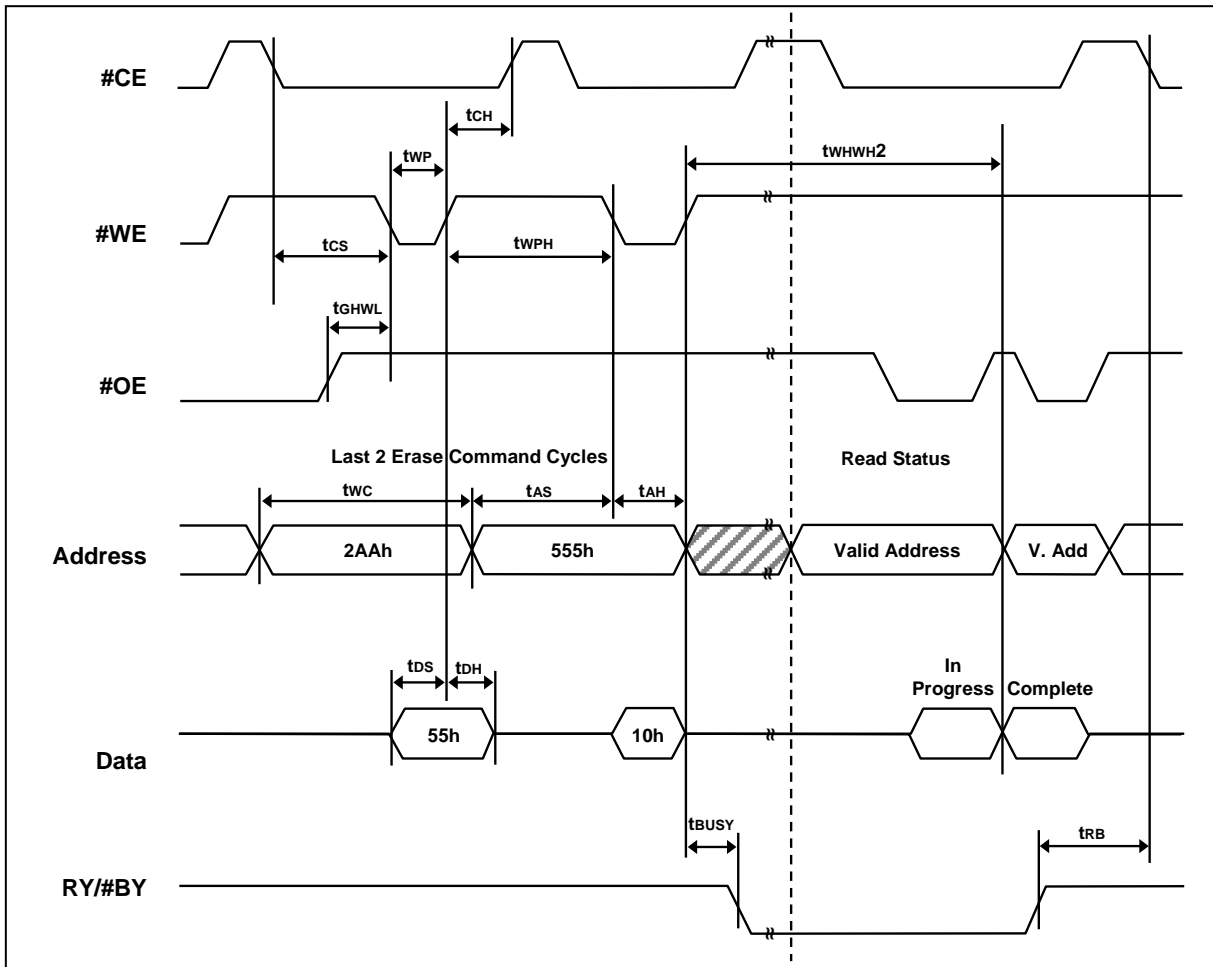


Figure 8-8 Automatic Chip Erase Timing Waveform

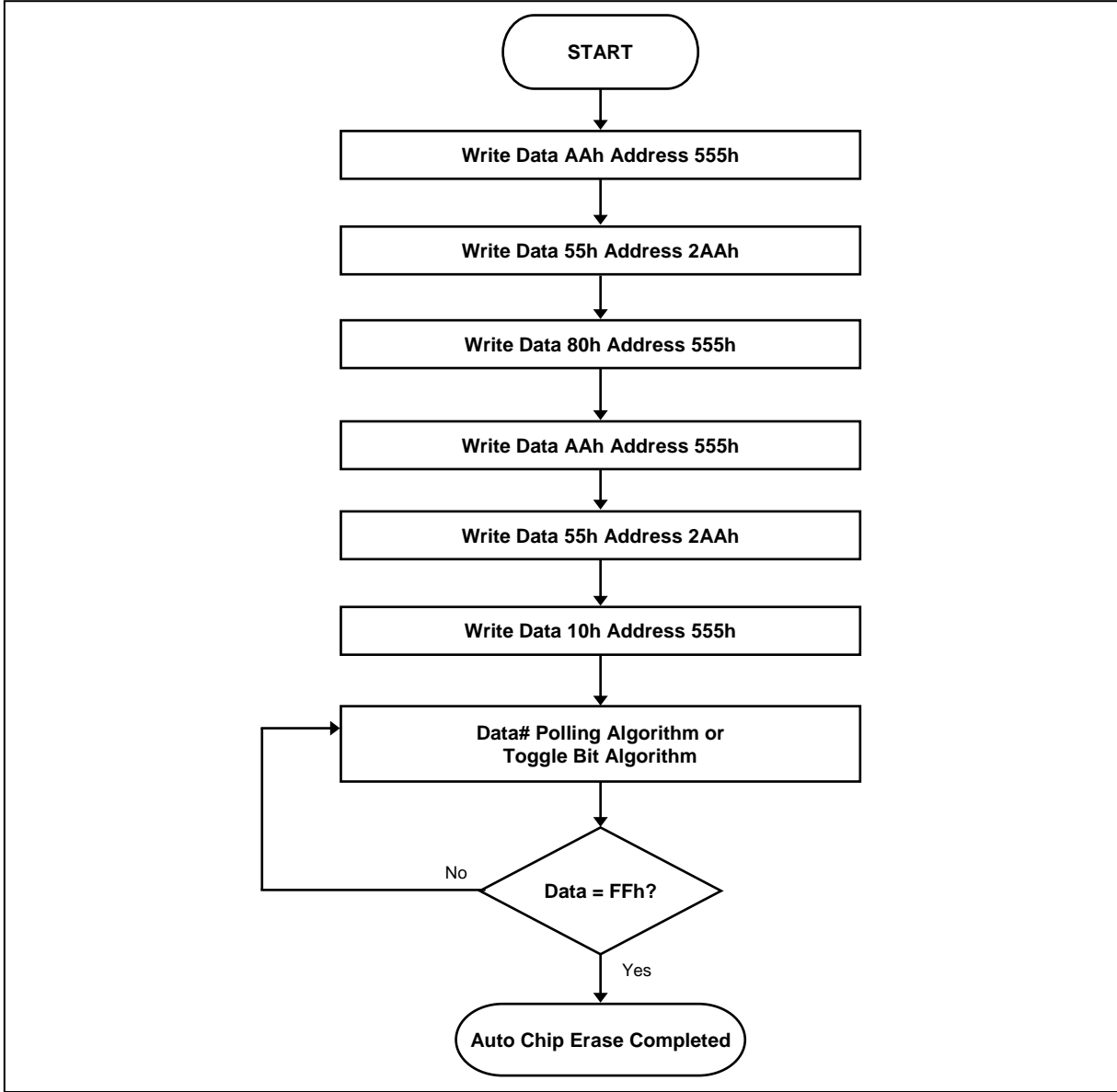


Figure 8-9 Automatic Chip Erase Algorithm Flowchart

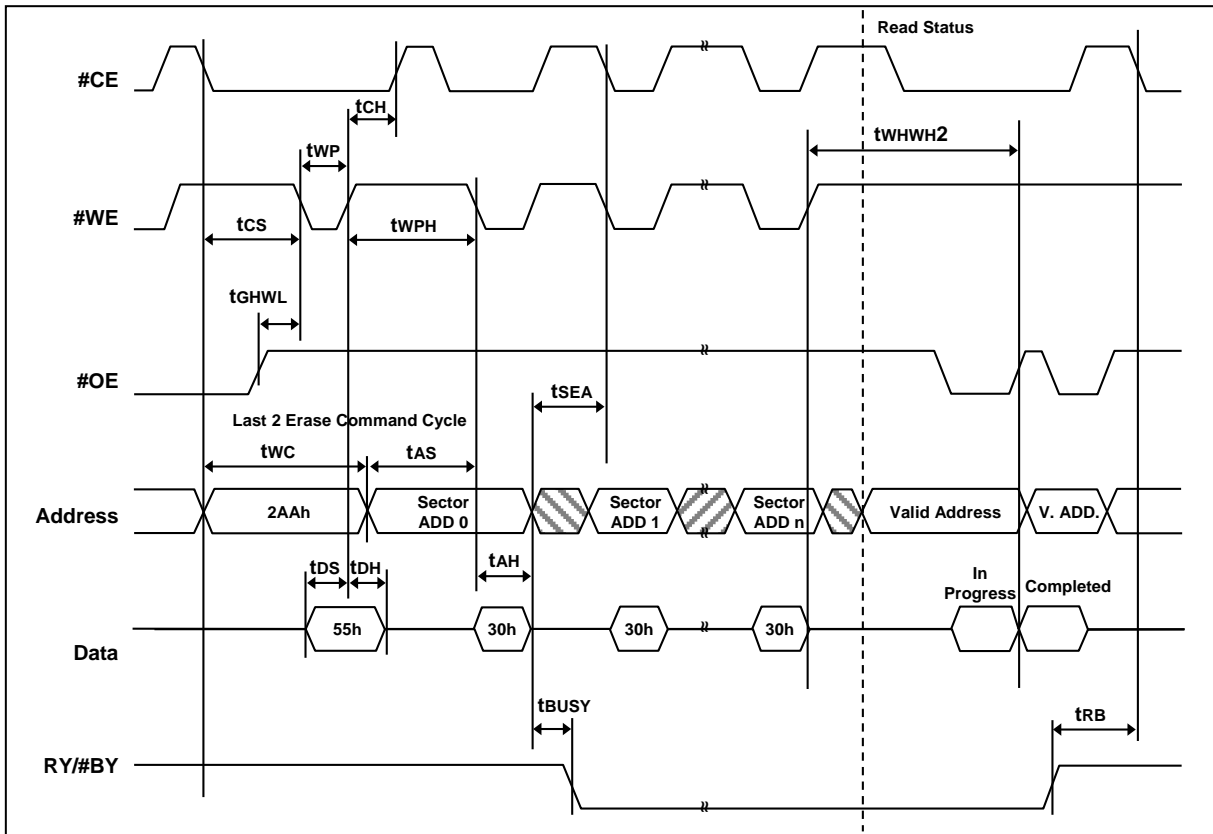


Figure 8-10 Automatic Sector Erase Timing Waveform

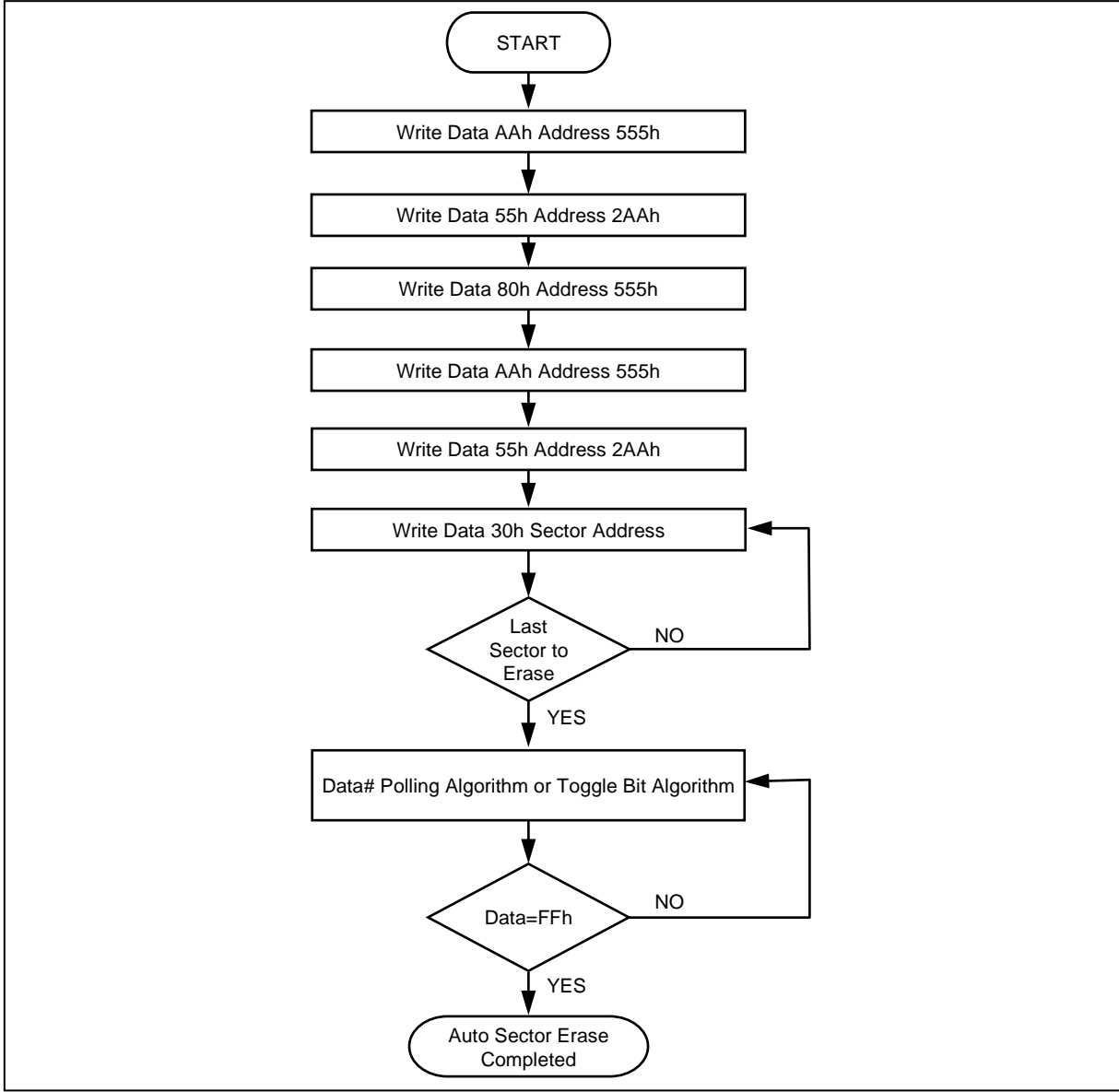


Figure 8-11 Automatic Sector Erase Algorithm Flowchart

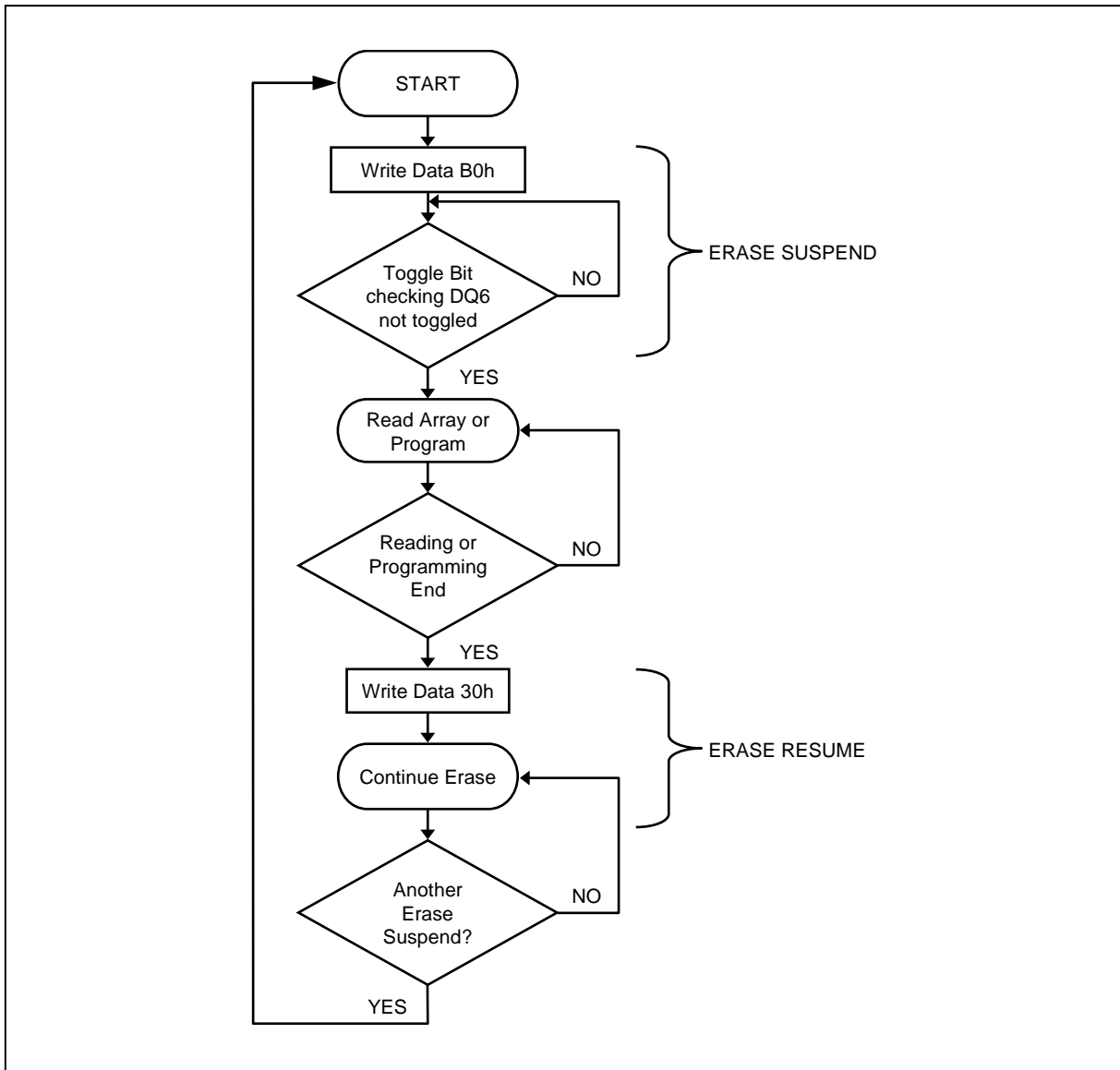


Figure 8-12 Erase Suspend/Resume Flowchart

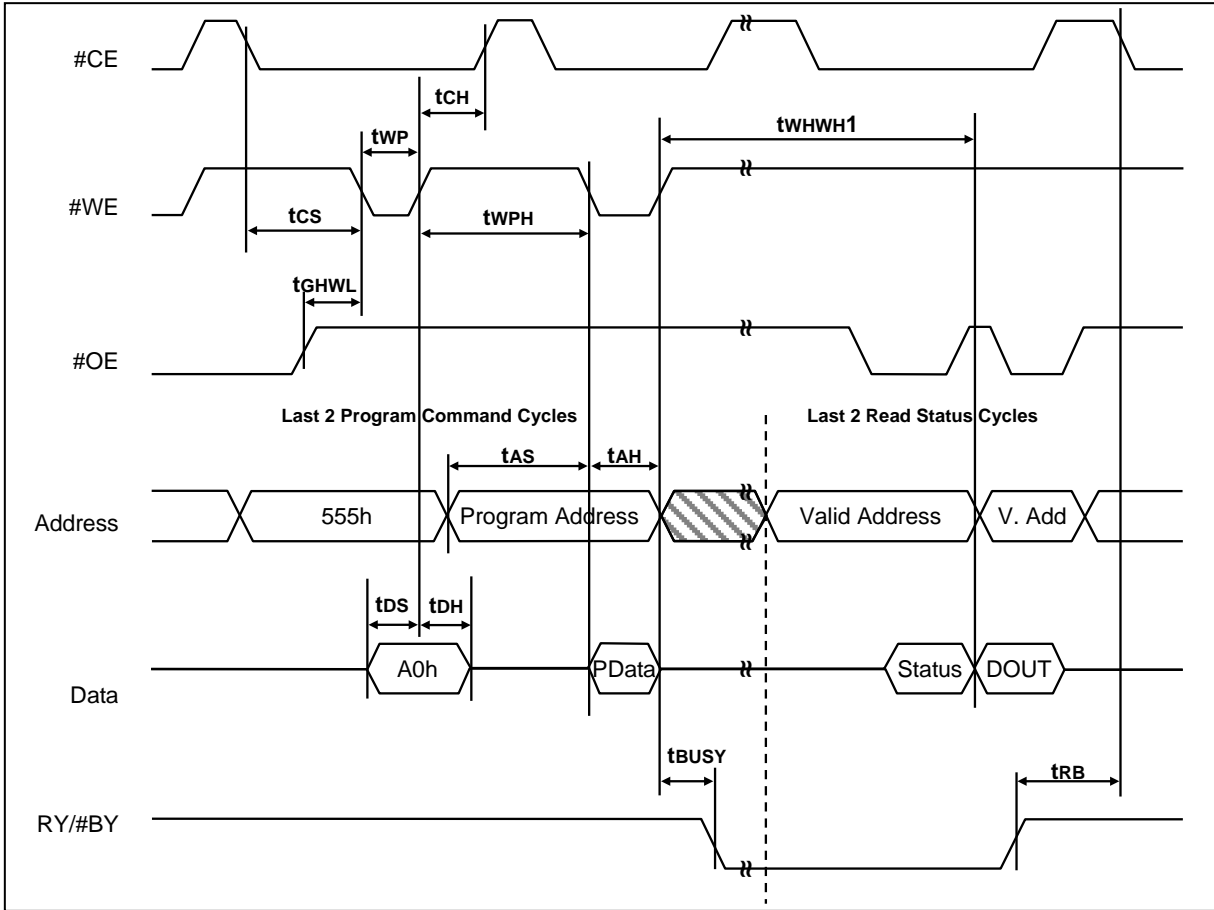


Figure 8-13 Automatic Program Timing Waveform

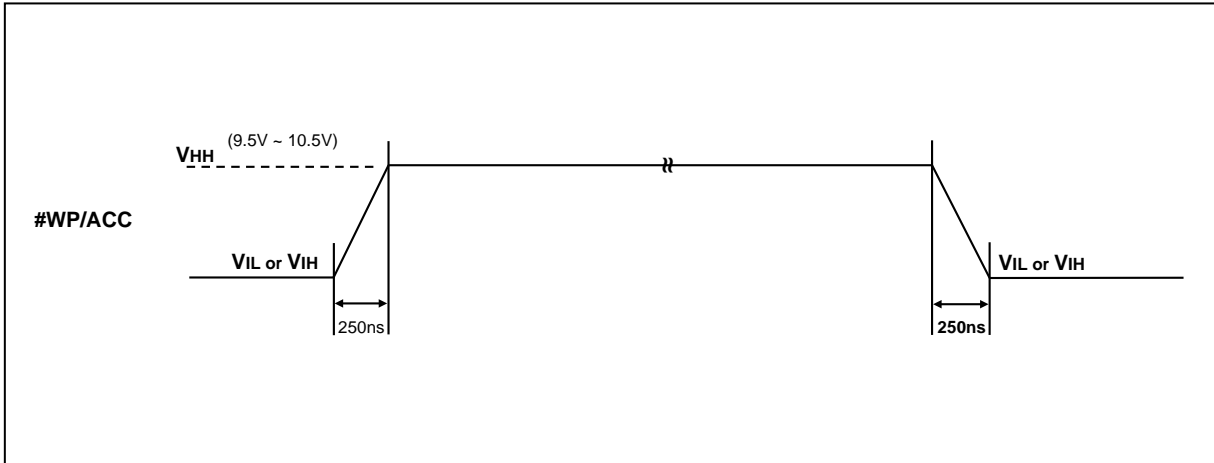


Figure 8-14 Accelerated Program Timing Waveform

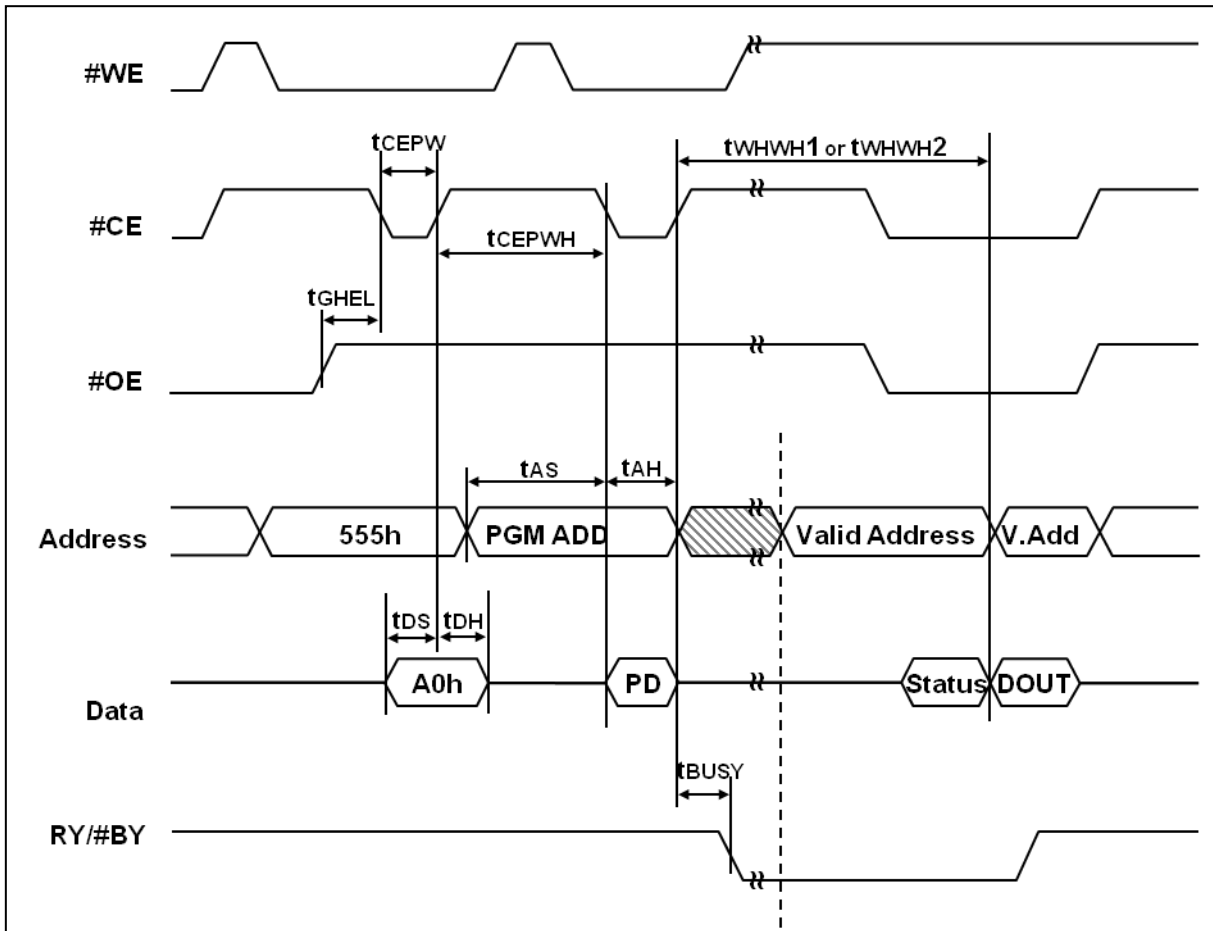


Figure 8-15 $\#CE$ Controlled Write Timing Waveform

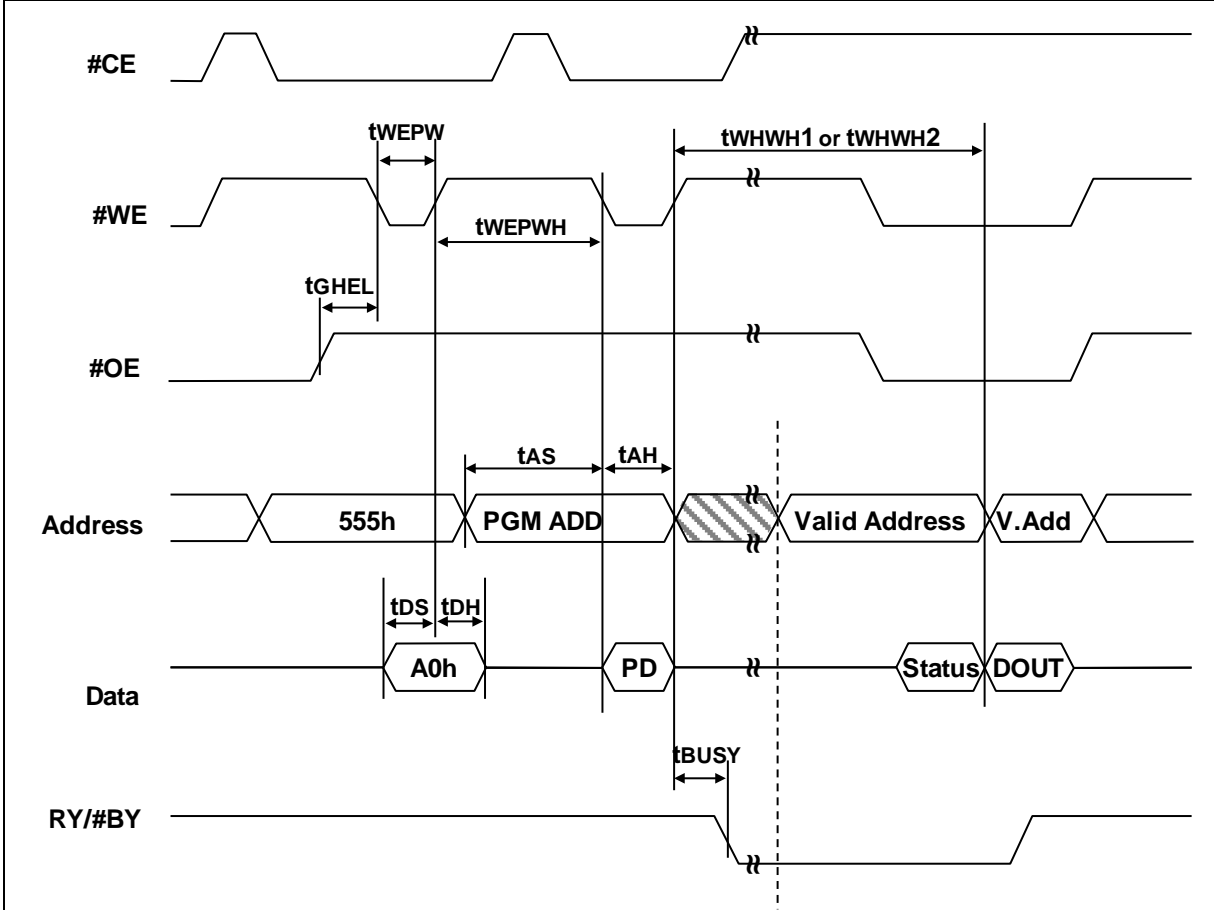


Figure 8-16 $\#WE$ Controlled Write Timing Waveform

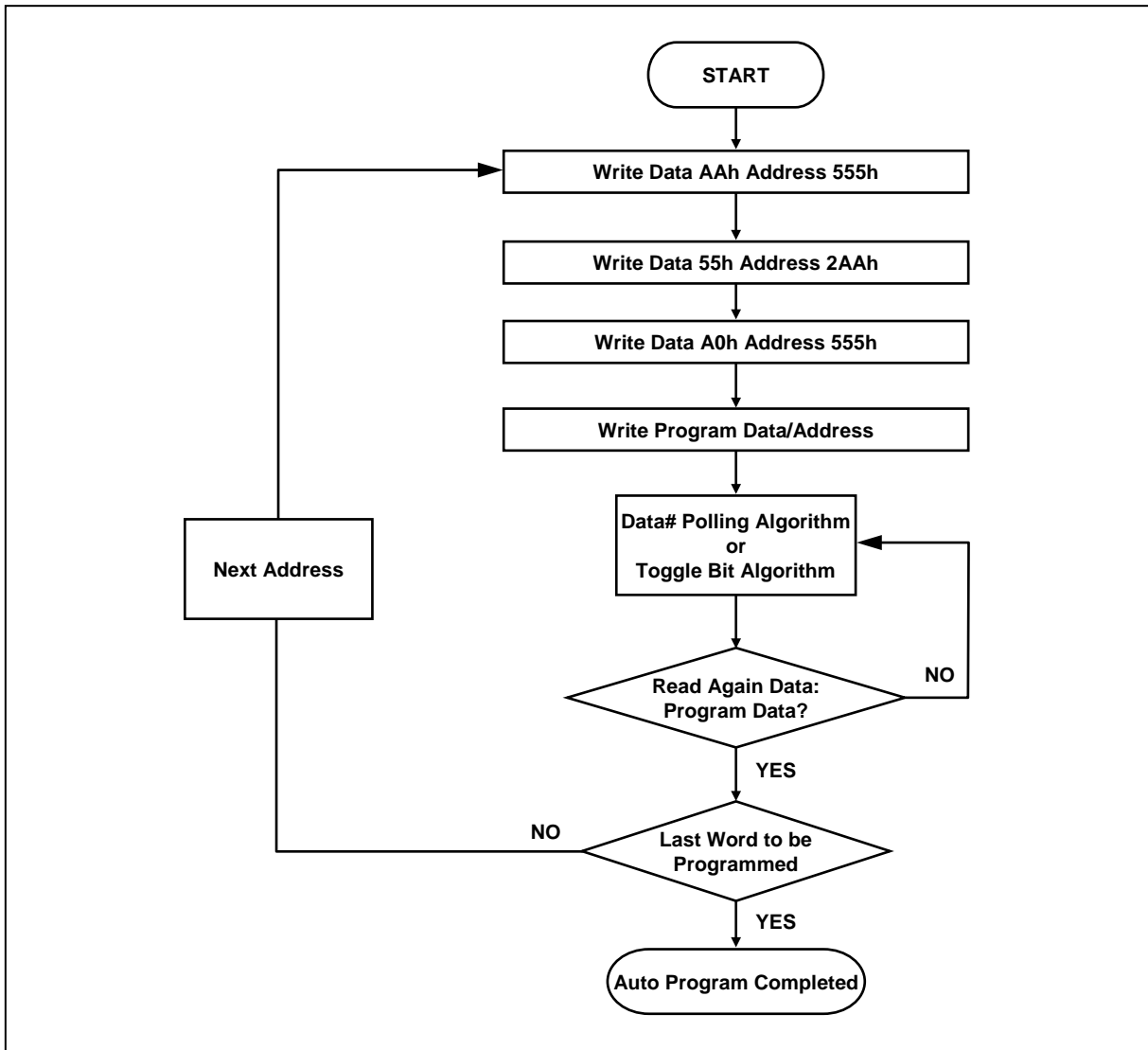


Figure 8-17 Automatic Programming Algorithm Flowchart

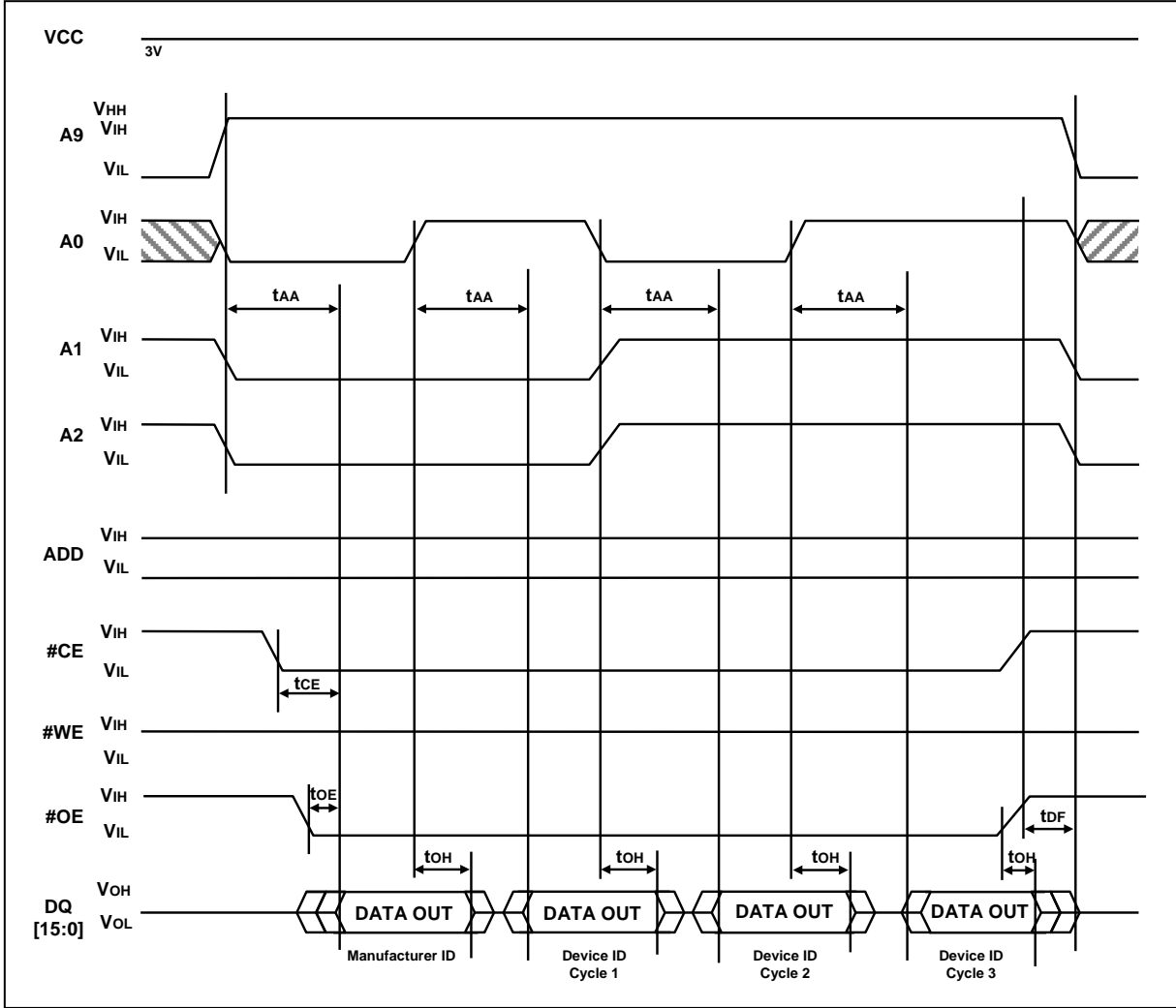


Figure 8-18 Silicon ID Read Timing Waveform

W29GL064C



8.5.4 Write Operation Status

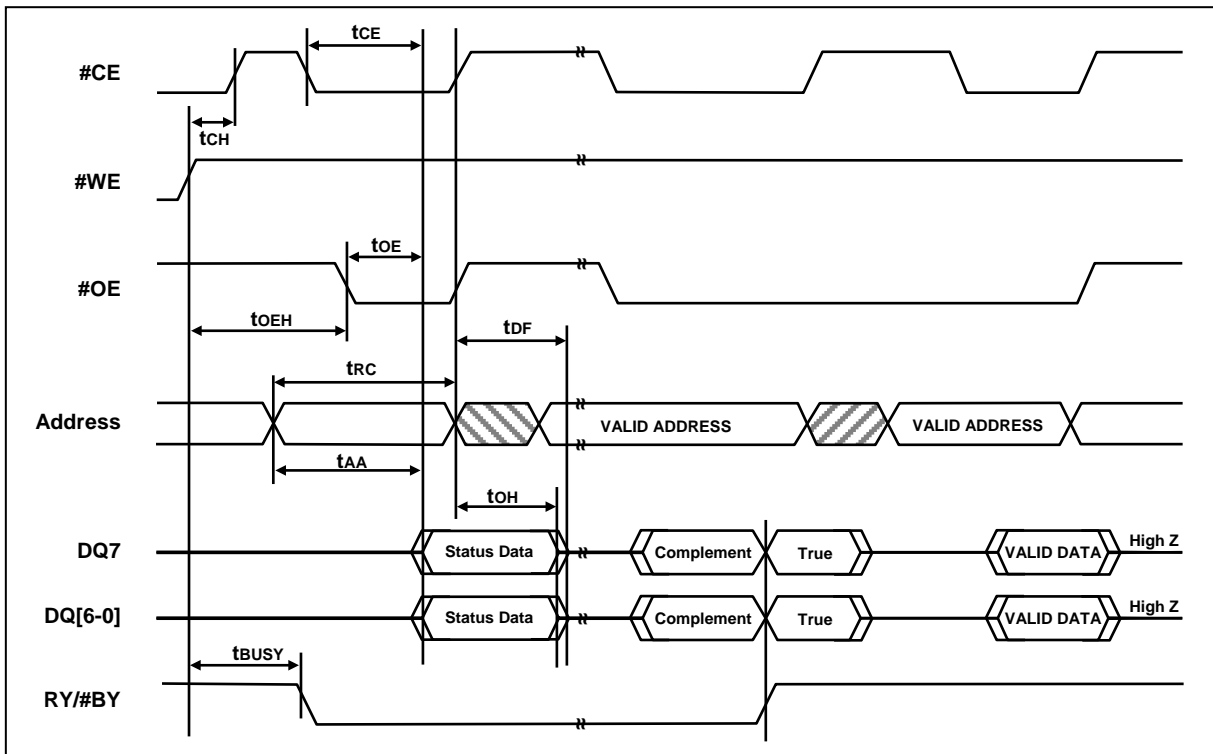


Figure 8-19 Data# Polling Timing Waveform (During Automatic Algorithms)

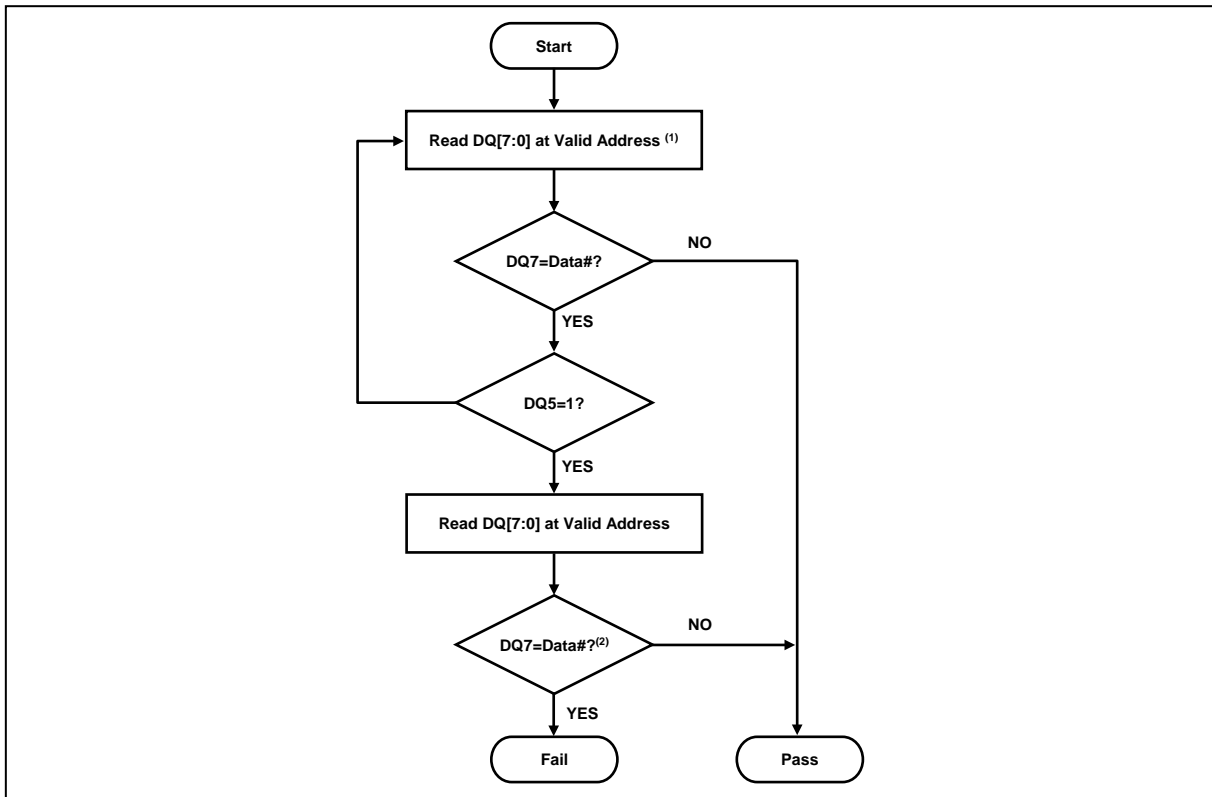


Figure 8-20 Status Polling for Word Programming/Erase

Notes:

1. 1. For programming, valid address means program address. For erasing, valid address means erase sectors address.
2. 2. DQ7 should be rechecked even DQ5="1" because DQ7 may change simultaneously with DQ5.

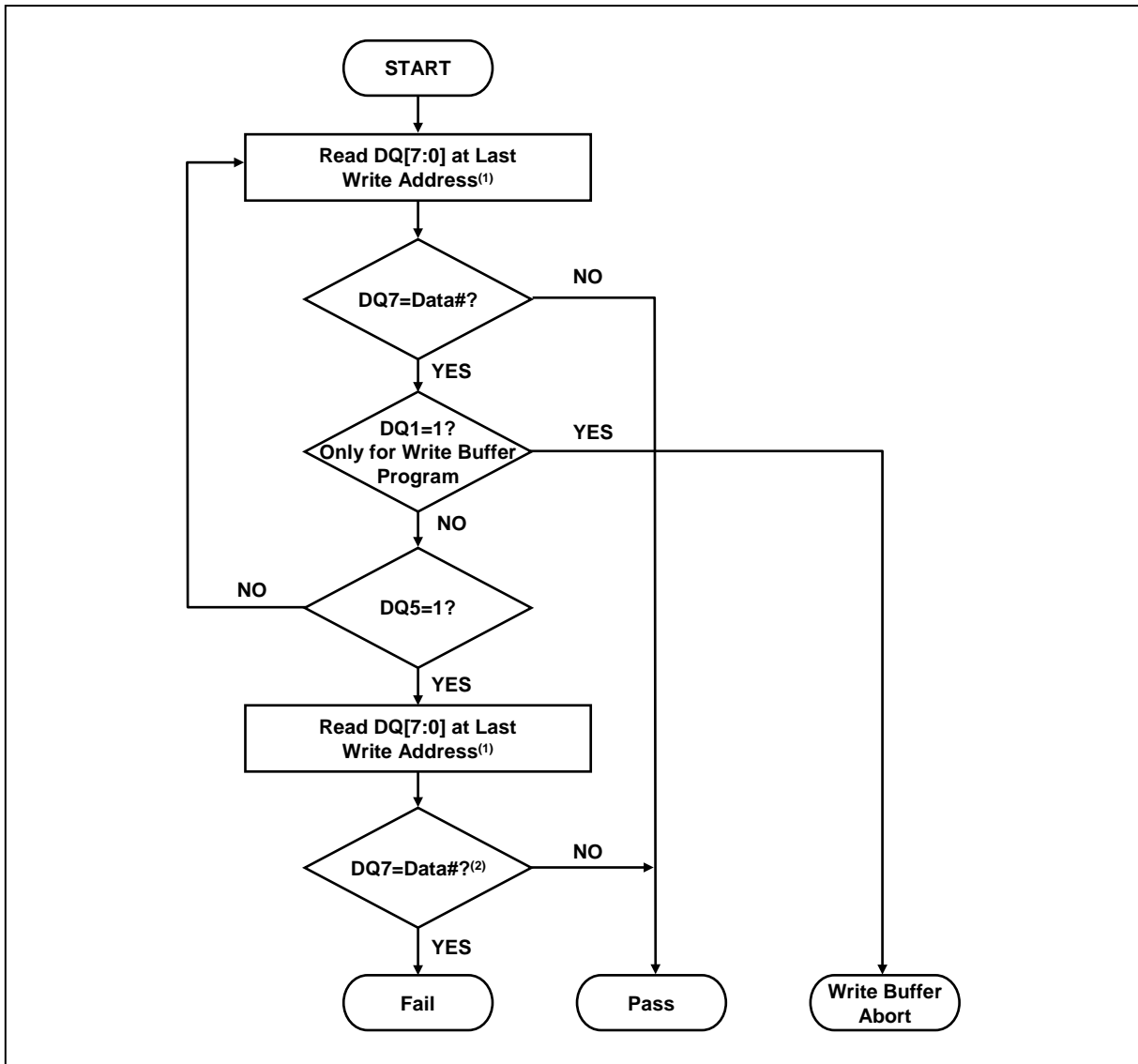


Figure 8-21 Status Polling for Write Buffer Program Flowchart

Notes:

1. For programming, valid address means program address.
2. For erasing, valid address means erase sectors address.
3. DQ7 should be rechecked even DQ5="1" because DQ7 may change simultaneously with DQ5.

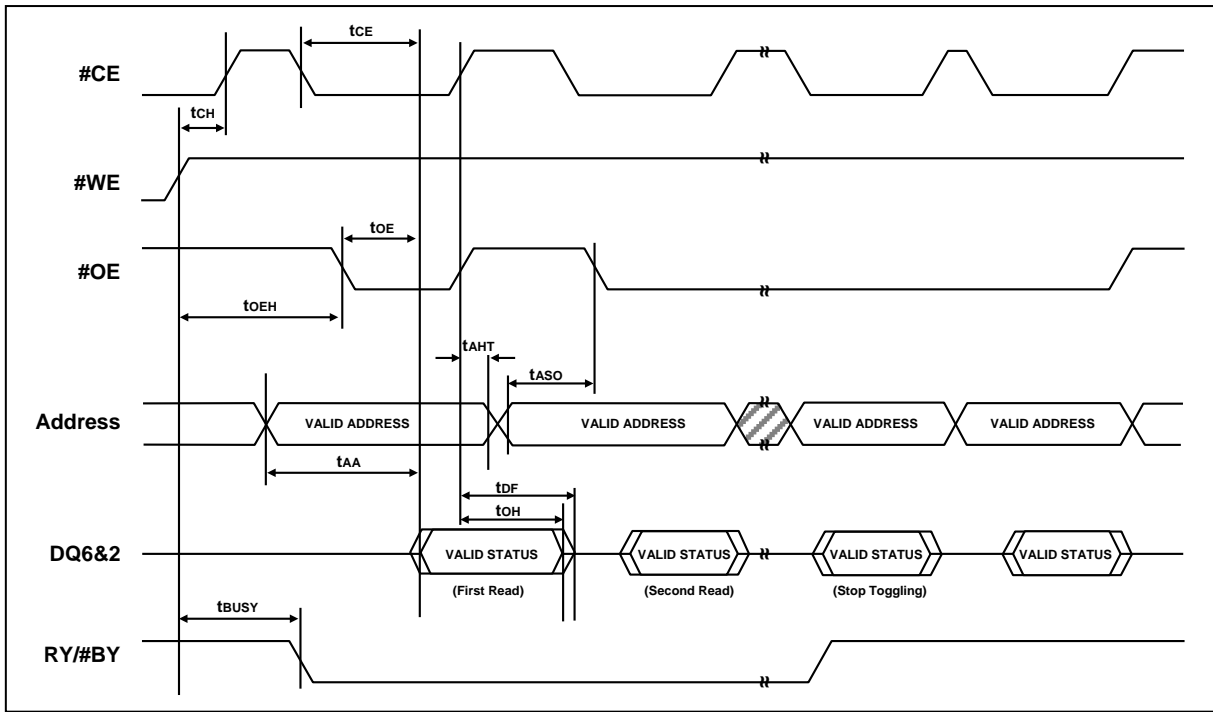


Figure 8-22 Toggling Bit Timing Waveform (During Automatic Algorithms)

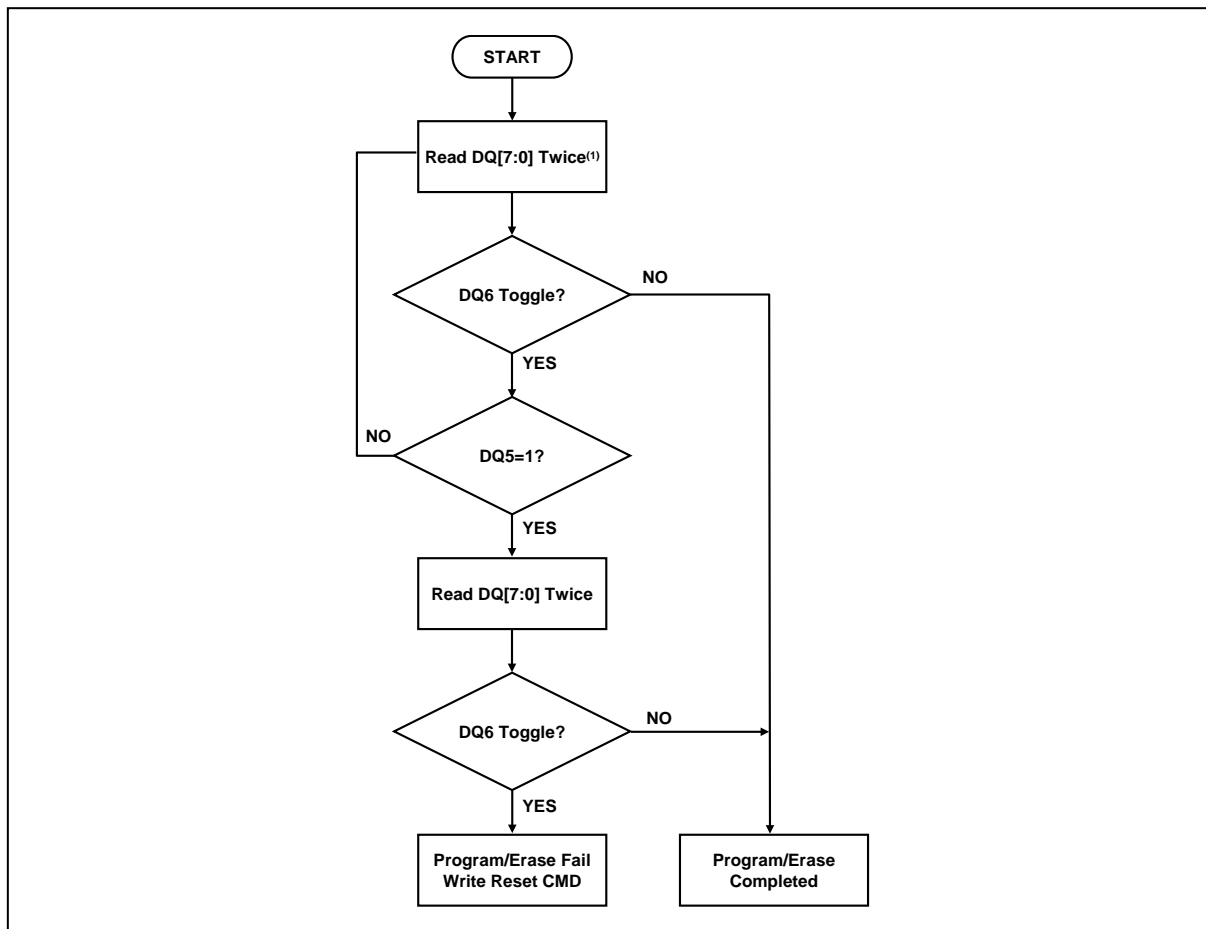


Figure 8-23 Toggle Bit Algorithm

Notes:

1. Read toggle bit twice to determine whether or not it is toggling.
2. Recheck toggle bit because it may stop toggling as DQ5 changes to "1".

8.5.5 WORD/BYTE CONFIGURATION (#BYTE)

| Description | Symbol | Test Setup | All Speed options | Unit |
|-------------------------------|-------------|------------|-------------------|------|
| #CE to #BYTE from L/H | tELFL/tELFH | MAX. | 5 | ns |
| #BYTE from L to Output Hiz | tFLQZ | Max. | 30 | ns |
| #BYTE from H to Output Active | tFHQV | Min. | 70 | ns |

Table 8-7 AC Characteristics Word/Byte Configuration (#BYTE)

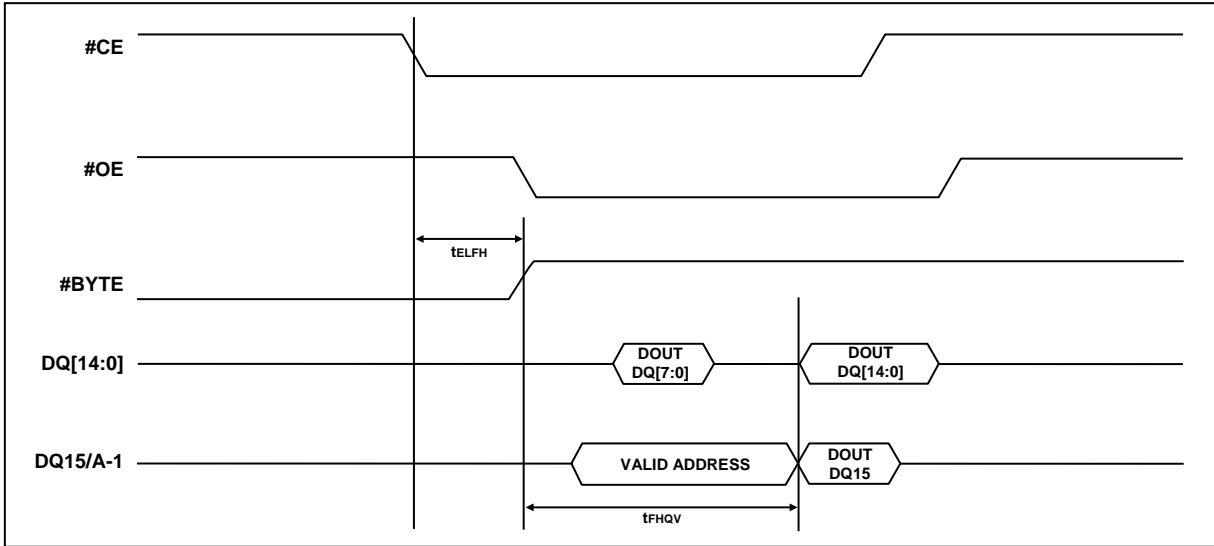


Figure 8-24 #BYTE Timing Waveform For Read operations

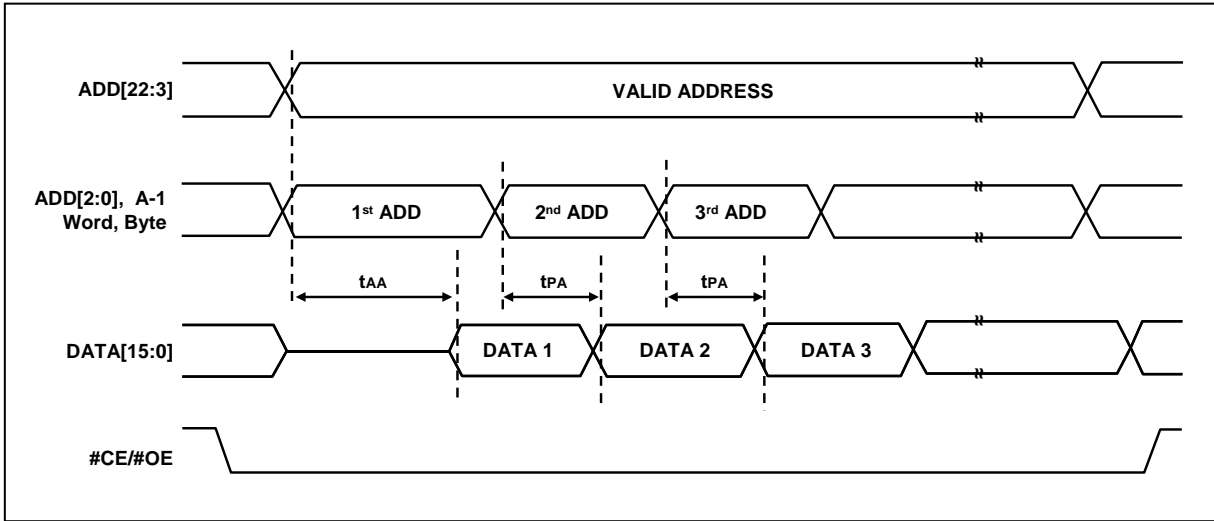


Figure 8-25 Page Read Timing Waveform

W29GL064C



8.5.6 DEEP POWER DOWN MODE

| Description | SYMBOL | TYP. | MAX |
|---|--------|-------|-------|
| #WE High to release from Deep Power Down Mode | tRDP | 100µs | 200µs |
| #WE High to Deep Power Down Mode | tDP | 10µs | 20µs |

Table 8-8 AC Characteristics for Deep Power Down

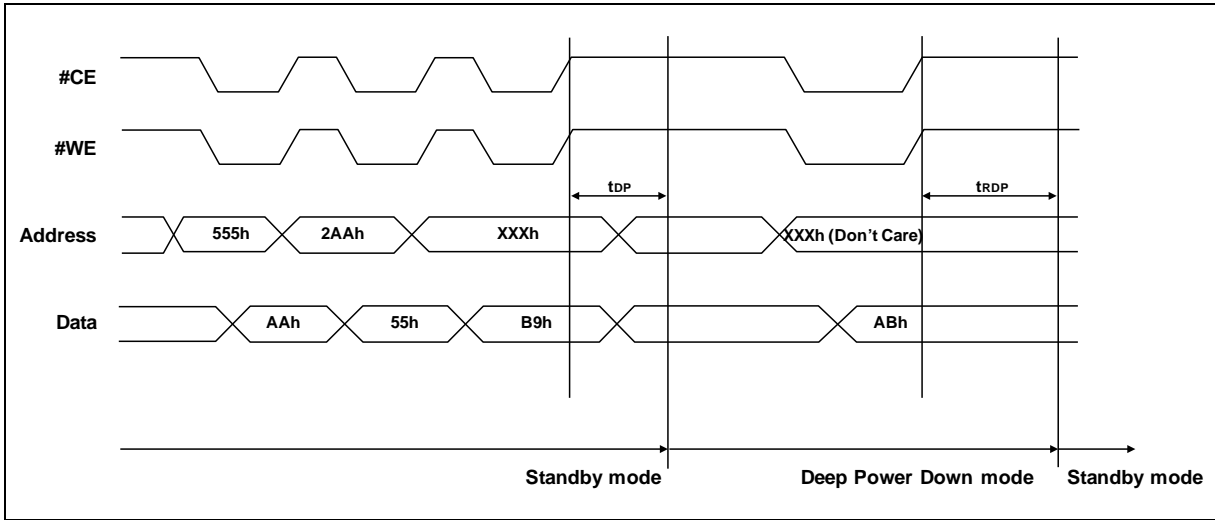


Figure 8-26 Deep Power Down mode Waveform

8.5.7 WRITE BUFFER PROGRAM

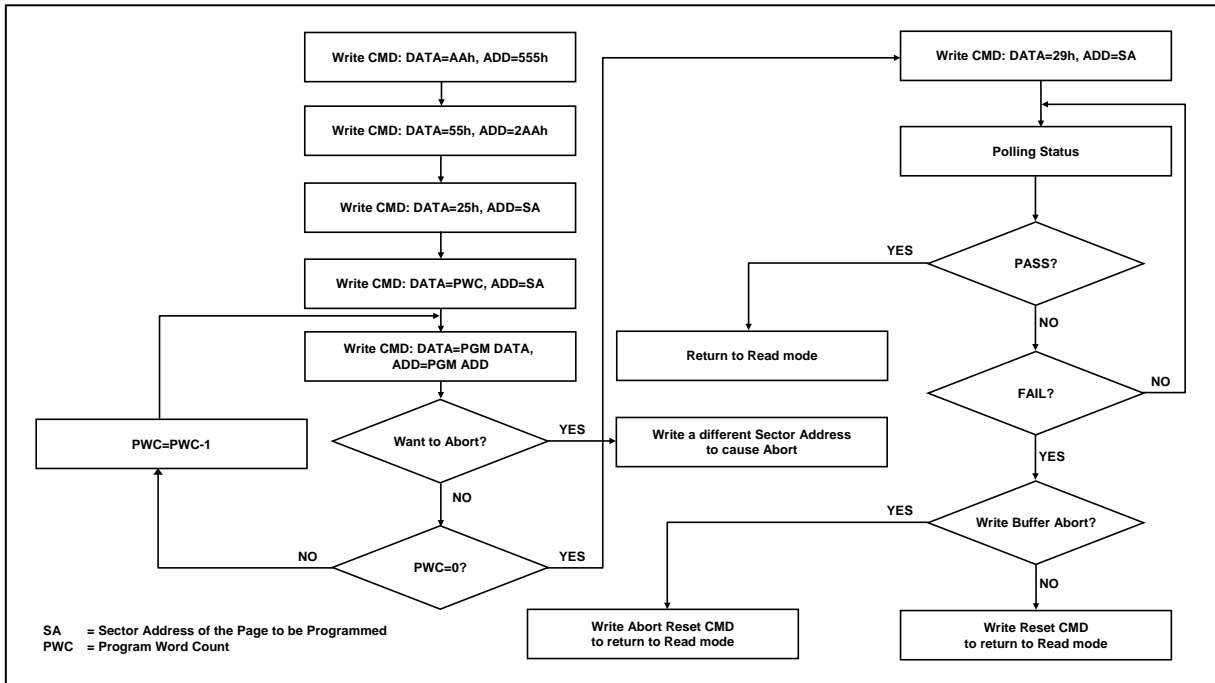


Figure 8-27 Write Buffer Program Flowchart



8.6 Recommended Operating Conditions

8.6.1 At Device Power-up

AC timing illustrated in Figure A is recommended for the supply voltages and the control signals at device power-up. If the timing in the figure is ignored, the device may not operate correctly.

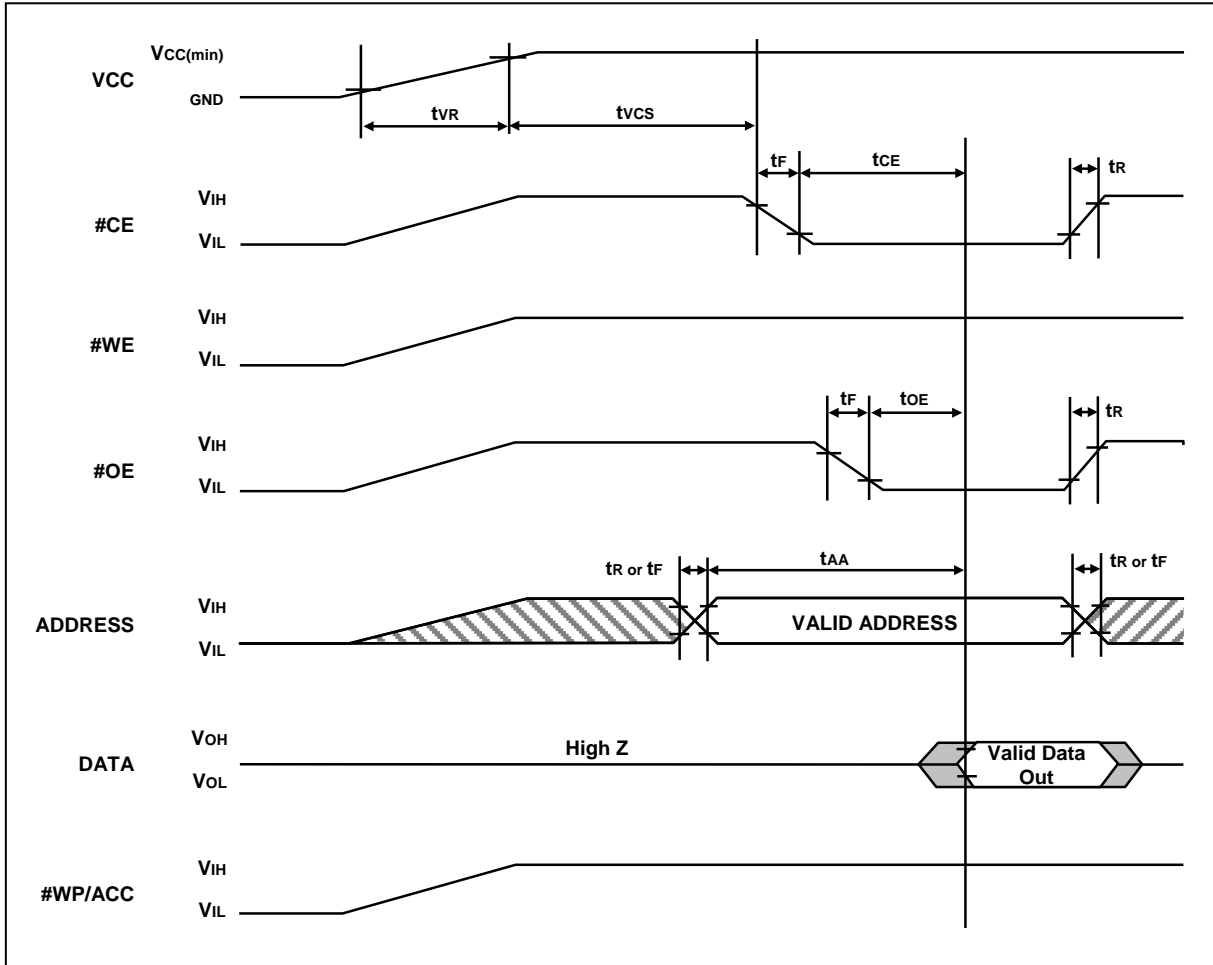


Figure 8-28 AC Timing at Device Power-Up

| Description | SYMBOL | MIN | MAX | UNIT |
|------------------------|--------|-----|---------|------|
| Vcc Rise Time | tvR | 20 | 500,000 | μs/V |
| Input Signal Rise Time | tR | | 20 | μs/V |
| Input Signal Fall Time | tF | | 20 | μs/V |
| Vcc Setup Time | tvCS | 35 | | μs |

Table 8-9 AC Characteristics at Device Power Up

W29GL064C



8.7 Erase and Programming Performance

| PARAMETER | LIMITS | | | UNITS |
|-----------------------------|---------|--------------------|--------------------|--------|
| | MIN | TYP ⁽¹⁾ | MAX ⁽²⁾ | |
| Chip Erase Time | | 19.2 | 128 | Sec |
| Sector Erase Time | | .15 | 2 | Sec |
| Chip Programming Time | | 24 | 112 | Sec |
| Word Programming Time | | 6 | 200 | μs |
| Total Write Buffer Time | | 96 | | μs |
| ACC Total Write Buffer Time | | 77 | | μs |
| Erase/Program Cycles | 100,000 | | | Cycles |

Table 8-10 AC Characteristics for Erase and Programming Performance

Notes:

1. Typical program and erase times assume the following conditions: 25°C, 3.0V Vcc. Programming specifications assume checkerboard data pattern.
2. Maximum values are measured at Vcc = 3.0 V, worst case temperature. Maximum values are valid up to and including 100,000 program/erase cycles.
3. Erase/Program cycles comply with JEDEC JESD-47E & A117A standard.
4. Exclude 00h program before erase operation.

8.8 Data Retention

| PARAMETER | CONDITION | MIN | MAX | UNIT |
|----------------|-----------|-----|-----|-------|
| Data Retention | 55°C | 20 | | Years |

Table 8-11 Data Retention

8.9 Latch-up Characteristics

| PARAMETER | MIN | MAX |
|--|--------|---------|
| Input Voltage different with GND on #WP/ACC and A9 pins | -1.0V | 10.5V |
| Input Voltage difference with GND on all normal input pins | -1.0V | 1.5xVcc |
| Vcc Current | -100mA | +100mA |

All pins included except Vcc. Test condition is Vcc=3.0V, one pin per test.

Table 8-12 Latch-up Characteristics

8.10 Pin Capacitance

| DESCRIPTION | PARAMETER | TEST SET | TYP. | MAX | UNIT |
|-------------------------|-----------|----------|------|-----|------|
| Control Pin Capacitance | CIN2 | VIN=0 | 7.5 | 9 | pF |
| Output Capacitance | COUT | VOUT=0 | 8.5 | 12 | pF |
| Input Capacitance | CIN | VIN=0 | 6 | 7.5 | pF |

Table 8-13 Pin Capacitance



9 PACKAGE DIMENSIONS

9.1 TSOP 48-pin 12x20mm

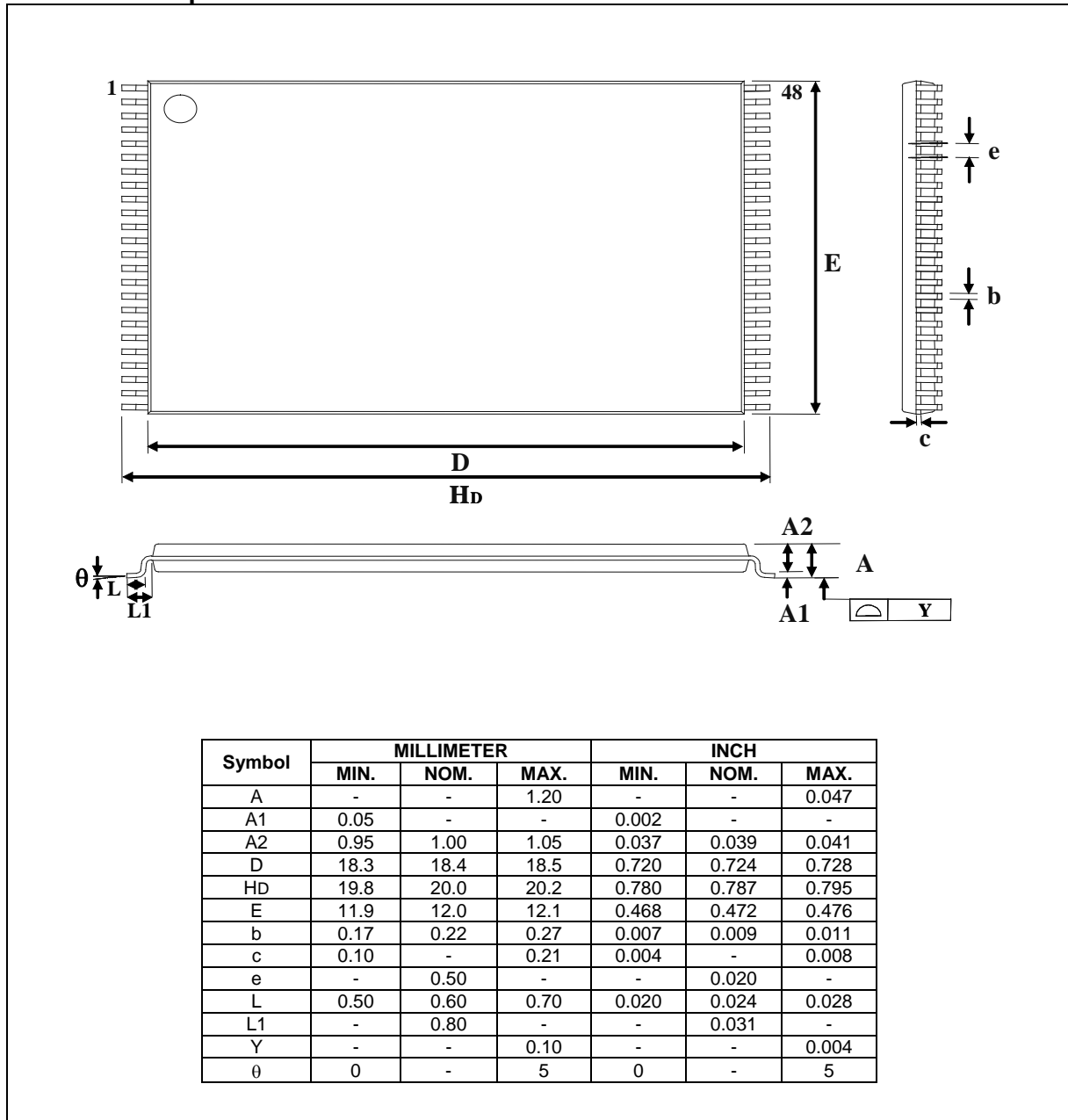


Figure 9-1 TSOP 48-pin 12x20mm

W29GL064C



9.2 TSOP 56-pin 14x20mm

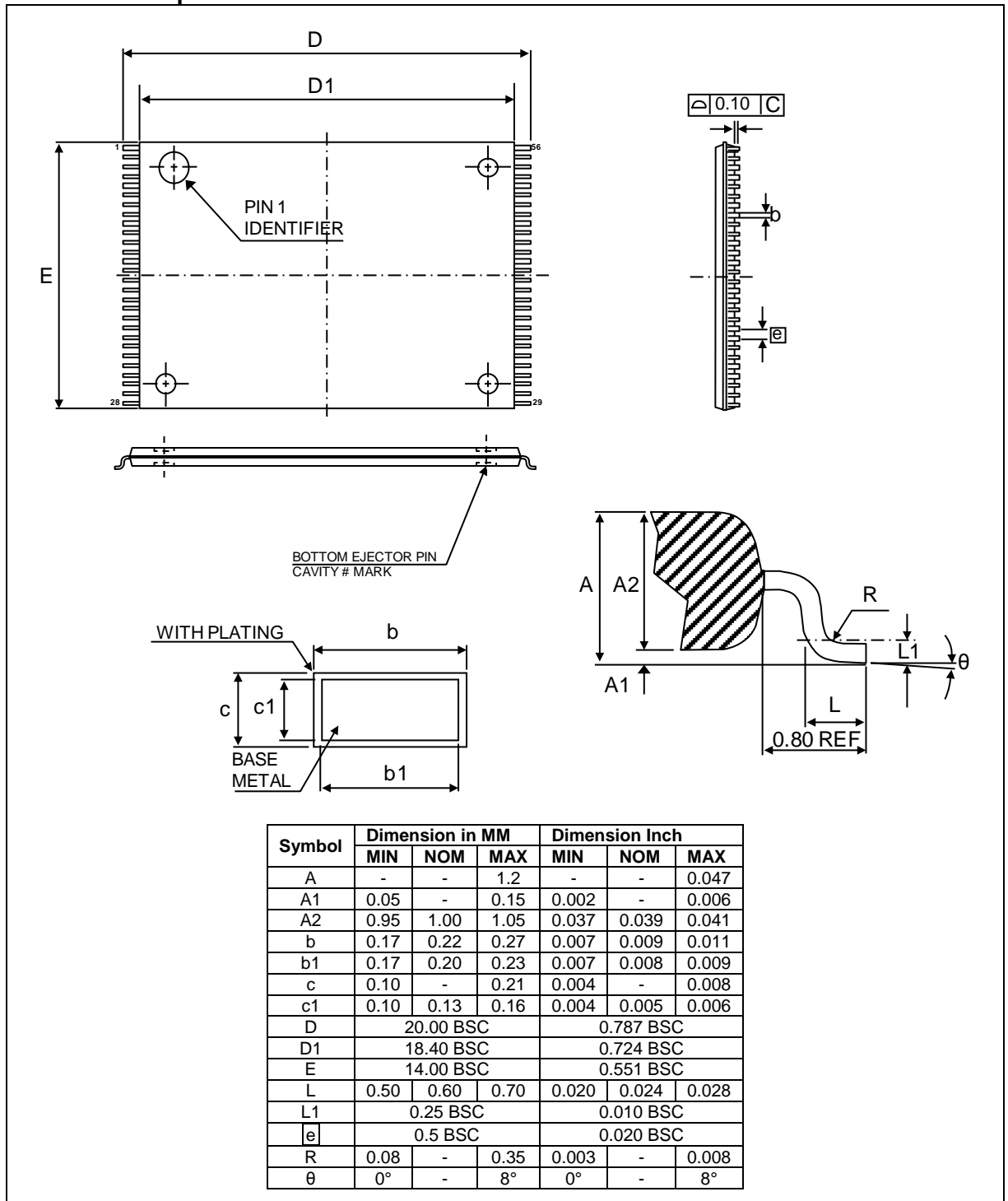


Figure 9-2 TSOP 56-pin 14x20mm



9.3 Low-Profile Fine-Pitch Ball Grid Array, 64-ball 11x13mm (LFBGA64)

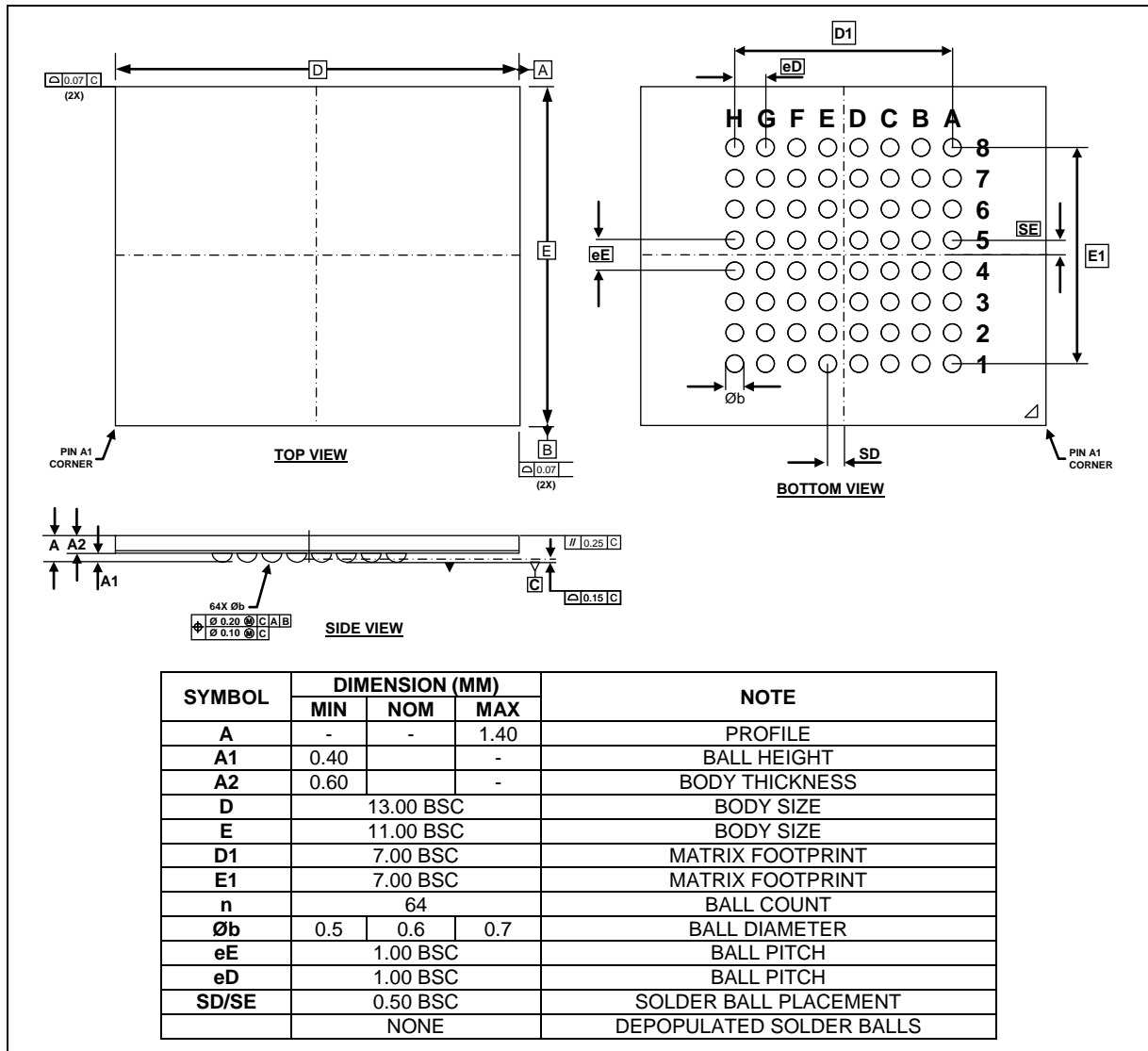


Figure 9-3 LFBGA 64-ball 11x13mm

W29GL064C



9.4 Thin & Fine-Pitch Ball Grid Array, 6x8 mm², pitch: 0.8 mm, Ø=0.4mm (TFBGA48)

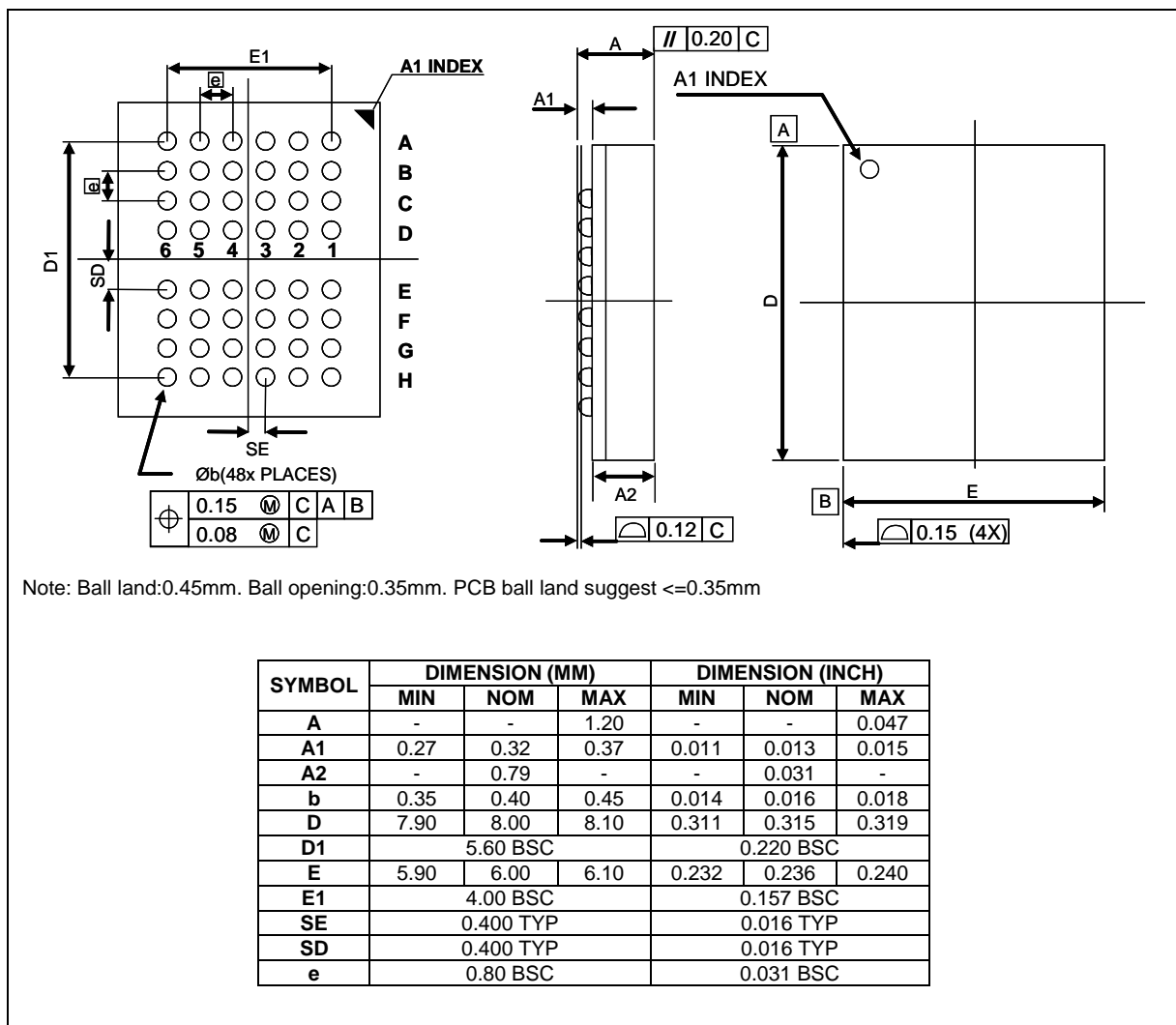


Figure 9-4 TFBGA 48-Ball 6x8mm



10 ORDERING INFORMATION

10.1 Ordering Part Number Definitions

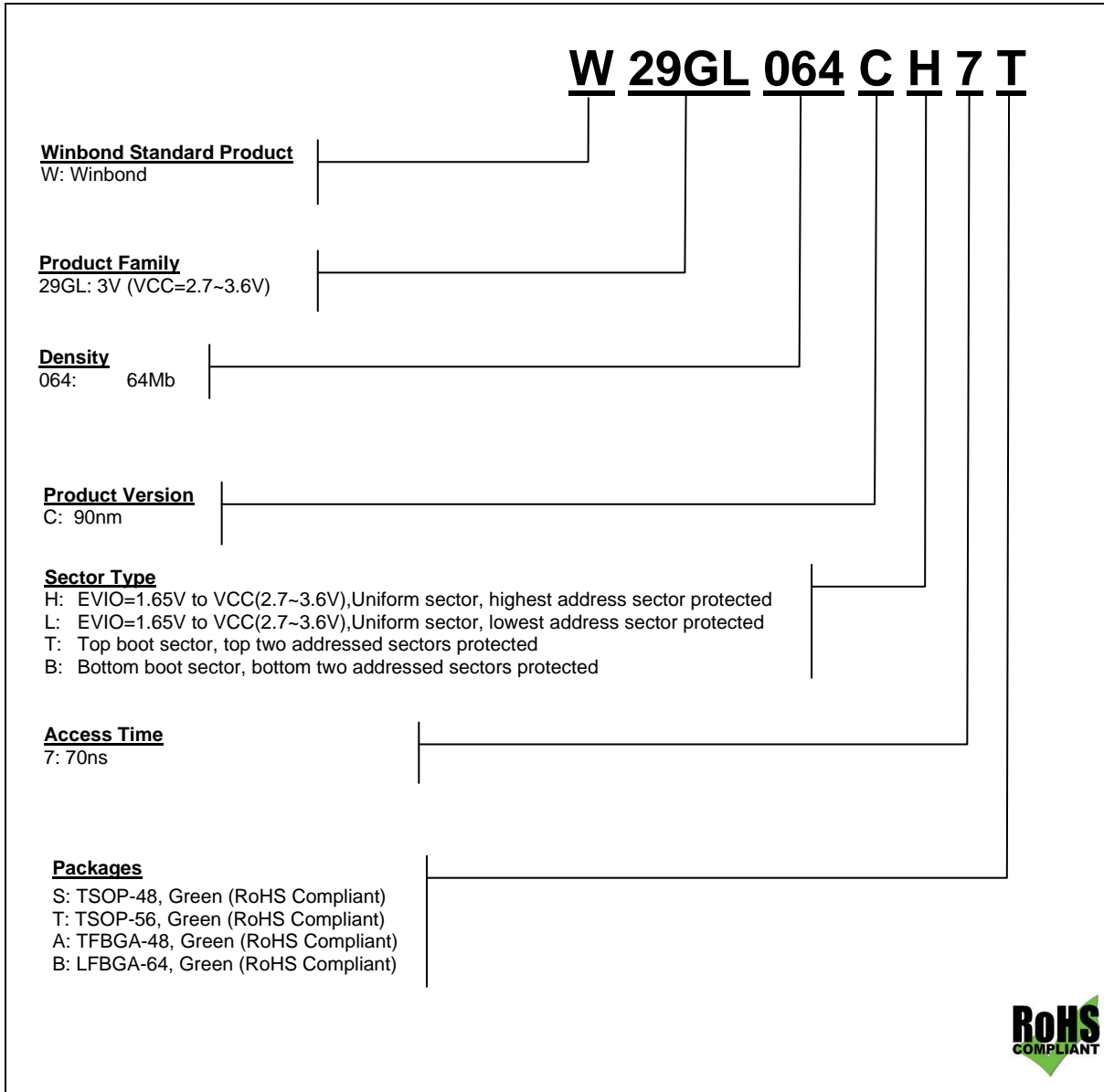


Figure 10-1 Ordering Part Numbering

Notes:

1. Winbond reserves the right to make changes to its products without prior notice.
2. Contact Winbond Sales for Secured Sector Lock Options.
3. For more details on Product Version's Temperature Ranges, contact Winbond..

W29GL064C



10.2 Valid Part Numbers and Top Side Marking

The following table provides the valid part numbers for the W29GL064C Parallel Flash Memory. Please contact Winbond for specific availability by density and package type. Winbond Parallel memories use a 12-digit Product Number for ordering.

| PACKAGE TYPE | DENSITY | PRODUCT NUMBER | TOP SIDE MARKING |
|---------------------|----------------|-----------------------|-------------------------|
| TSOP-48 | 64Mb | W29GL064CT7S | W29GL064CT7S |
| TSOP-48 | 64Mb | W29GL064CB7S | W29GL064CB7S |
| TFBGA48 | 64Mb | W29GL064CT7A | W29GL064CT7A |
| TFBGA48 | 64Mb | W29GL064CB7A | W29GL064CB7A |
| TSOP-56 | 64Mb | W29GL064CH7T | W29GL064CH7T |
| TSOP-56 | 64Mb | W29GL064CL7T | W29GL064CL7T |
| LFBGA64 | 64Mb | W29GL064CT7B | W29GL064CT7B |
| LFBGA64 | 64Mb | W29GL064CB7B | W29GL064CB7B |
| LFBGA64 | 64Mb | W29GL064CH7B | W29GL064CH7B |
| LFBGA64 | 64Mb | W29GL064CL7B | W29GL064CL7B |

Table 10-1 Valid Part Numbers and Markings



11 HISTORY

| VERSION | DATE | PAGE | DESCRIPTION |
|---------|---|-----------------------|---|
| A | 09-08-2010 | - | Preliminary |
| B | 01-18-2011 | 1 | Updated Random Access Time |
| | | 32 | Updated following parameters, tAA, tPA, tCE, tRC, tWC, tBUSY & tVCS. |
| | | 32 & 42 | Updated tGHEL description & waveform. |
| | | 32 | Removed Effective Write Buffer Program (Byte) |
| | | 32 | Updated Effective Write Buffer Program (Word) |
| | | 32 | Updated Program (Word/Byte) tWHWH1. |
| | | 49 | Updated tFHQV parameter value. |
| | | 52 | Updated tVCS value. |
| | | 54 | Added TSOP 48 Pin POD. |
| 57 | Updated Ordering Part Number Definitions. | | |
| 58 | Updated Valid Part Numbers | | |
| C | 02-16-2011 | 57 | Added TFBGA48 Drawing |
| D | 05-31-2011 | 12 | VHH vs. ACC PGM warning |
| | | 54 | Correct TSOP missing E parameter |
| | | 32 & 53 | Correct Parameter Category tRC & Cycling |
| E | 10-18-2011 | 2 | Corrected miss labeled ball on TFBGA48 diagram |
| | | 20 | Section 7.4.2 1 st Paragraph removed 'erase' |
| | | | Section 7.4.2 3 rd Paragraph Add OTP statement. |
| | | 32 | tcwc added definition to Table 8.5 |
| | | 32 & 33 33 & 53 | tWHWH1 & tWHWH2 moved parameter to Typ. Sector Erase Time 2Sec Max |
| F | 08-03-2012 | 53 | Word Programming Time 28μS to 200μS |
| | | 58, 59 | Part Number Update. |
| | | 30 | Icc4 changed to 30μA |
| | | 29, 30, 32 | Automotive Temperature PARAM |
| | | 29, 60 | Removed Preliminary designator |
| | | 51 | DPD diagram corrected |
| G | 06-07-2013 | 7, 43 & 32 | Update #WE Control Waveform. |
| | | 11 | Write Buffer addressing select changed to A[20:4] |
| H | 08-02-2013 | 29,30,32,33, 59,60 | Removed Automotive Temperature PARAM |

Table 11-1 Revision History

W29GL064C



Trademarks

Winbond is a trademark of *Winbond Electronics Corporation*. All other marks are the property of their respective owner.

Important Notice

Winbond products are not designed, intended, authorized or warranted for use as components in systems or equipment intended for surgical implantation, atomic energy control instruments, airplane or spaceship instruments, transportation instruments, traffic signal instruments, combustion control instruments, or for other applications intended to support or sustain life. Furthermore, Winbond products are not intended for applications wherein failure of Winbond products could result or lead to a situation wherein personal injury, death or severe property or environmental damage could occur. Winbond customers using or selling these products for use in such applications do so at their own risk and agree to fully indemnify Winbond for any damages resulting from such improper use or sales.

Information in this document is provided solely in connection with Winbond products. Winbond reserves the right to make changes, corrections, modifications or improvements to this document and the products and services described herein at any time, without notice.

*Please note that all data and specifications are subject to change without notice.
All the trademarks of products and companies mentioned in this datasheet belong to their respective owners.*

X-ON Electronics

Largest Supplier of Electrical and Electronic Components

Click to view similar products for [Flash Memory](#) category:

Click to view products by [Winbond](#) manufacturer:

Other Similar products are found below :

[MBM29F200TC-70PFTN-SFLE1](#) [MBM29F400BC-70PFTN-SFLE1](#) [MBM29F800BA-90PF-SFLE1](#) [8 611 200 906 9990933135](#)
[AM29F200BB-90DPI 1](#) [AT25DF021A-MHN-Y](#) [AT25DF256-SSHN-T](#) [EAN62691701](#) [N25Q512A83G1240F](#) [P520366230636](#) [8 905 959](#)
[076T](#) [8 905 959 252](#) [8 925 850 296](#) [260332-002 04](#) [S29AL008J55BFIR20](#) [S29AL008J55TFIR23](#) [S29AL008J70BFI010](#)
[S29AL008J70BFI013](#) [S29AL032D90TFA040](#) [S29AS016J70BHIF40](#) [S29GL064N90TFI013](#) [S29PL064J55BFI120](#) [S76MSA90222AHD000](#)
[S99AL016D0019](#) [9990932415](#) [A2C53026990](#) [SST39VF400A-70-4I-MAQE](#) [AM29F400BB-55SF0](#) [AM29F400BB-55SI](#) [MBM29F400BC-](#)
[90PFVGTSFLE1](#) [MBM29F800BA-70PFTN-SFLE1](#) [MBM29F800TA-90PFCN-SFLE1](#) [AT25DF011-MAHN-T](#) [AT25DN011-MAHF-T](#)
[AT45DQ161-SHFHB-T](#) [RP-SDCCTH0](#) [S29AL016J70TFN013](#) [S29CD016J0MQFM110](#) [S29GL032N90BFI042](#) [S29GL032N90FAI033](#)
[S29GL064N90TFI023](#) [S29GL128S10GHIV20](#) [S29PL127J70BAI020](#) [S34ML01G200GHI000](#) [S34ML02G200TFI003](#) [S34MS02G200BHI000](#)
[S34MS02G200TFI000](#) [S71VS256RC0AHK4L0](#) [AT25SF041-MHD-T](#)