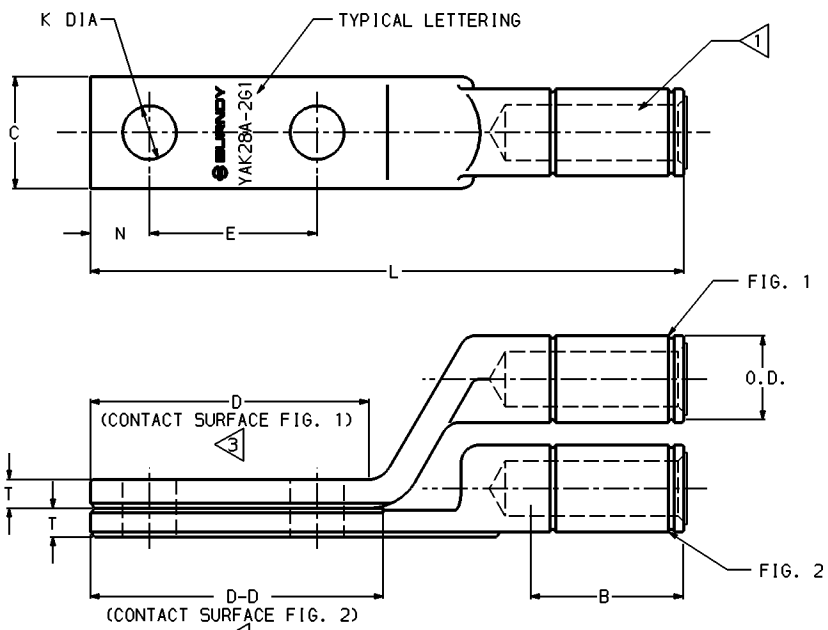


CATALOG NUMBER	ALUM. CONDUCTOR SIZE	FIG. NO.	7											6				5				4				3			2			1
			B	C	D	D-D	E	K	L	N	T	O.D.	DIE INDEX	MECHANICAL		HYDRAULIC		DIELESS (# CRIMPS)			WIRE STRIP LENGTH											
			[39]	[30]	[78]	[83]	[44]	[14]	[157]	[62]	[8]	[23]	249 K840	MD6	OUR840	Y35, Y39 Y750, BAT35, BAT750	Y45	Y46	Y48B	(# CRIMPS)												
YAK28A-261 YAK28A-262	4/0 STR. (.528 DIA.)	1 2	1.52 [39]	1.17 [30]	3.06 [78]	3.25 [83]	1.75 [44]	.56 [14]	6.20 [157]	.62 [16]	.30 [8]	.91 [23]	249 K840	W249 (4) W-K840 (6)	X249 (4)	U249 (2) UK840T (3)	U249 (2) UK840T (3)	U249 (2) UK840T (3)	C249 (1)	Y644M (1) BAT644M (1)	1 3/4"											
YAK29A-261 YAK29A-262	250 kcmil (.575 DIA.)	1 2	1.91 [49]	1.62 [41]	3.06 [78]	3.25 [83]	1.75 [44]	.56 [14]	6.84 [174]	.62 [16]	.38 [10]	1.11 [28]	299 705	---	---	U31ART (3) U705 (3)	U31ART (3) U705 (3)	U31ART (3) U705 (3)	C31AR (1)	Y644M (1) BAT644M (1)	2"											
YAK30A-261 YAK30A-262	300 kcmil (.629 DIA.)	1 2	1.91 [49]	1.62 [41]	3.06 [78]	3.25 [83]	1.75 [44]	.56 [14]	6.84 [174]	.62 [16]	.38 [10]	1.11 [28]	299 705	---	---	U31ART (3) U705 (3)	U31ART (3) U705 (3)	U31ART (3) U705 (3)	C31AR (1)	Y644M (1) BAT644M (1)	2"											
YAK31A-261 YAK31A-262	350 kcmil (.681 DIA.)	1 2	1.91 [49]	1.62 [41]	3.06 [78]	3.25 [83]	1.75 [44]	.56 [14]	6.84 [174]	.62 [16]	.38 [10]	1.11 [28]	299 705	---	---	U31ART (3) U705 (3)	U31ART (3) U705 (3)	U31ART (3) U705 (3)	C31AR (1)	Y644M (1) BAT644M (1)	2"											
YAK311A-261 YAK311A-262	397.5 kcmil (.724 DIA.)	1 2	2.41 [61]	1.62 [41]	3.06 [78]	3.25 [83]	1.75 [44]	.56 [14]	7.75 [197]	.62 [16]	.44 [11]	1.25 [32]	317 705	---	---	U317 (4) U705 (2)	U317 (4) U705 (2)	U317 (4) U705 (2)	C317 (2)	Y644M (1) BAT644M (1)	2 1/2"											
YAK34A-261 YAK34A-262	500 kcmil AL. (.813 DIA.)	1	2.41 [61]	1.62 [41]	3.06 [78]	3.25 [83]	1.75 [44]	.56 [14]	7.75 [197]	.62 [16]	.44 [11]	1.25 [32]	317 705	---	---	U317 (4) U705 (2)	U317 (4) U705 (2)	U317 (4) U705 (2)	C317 (2)	Y644M (1) BAT644M (1)	2 1/2"											
YAK361A-261 YAK361A-262	500 kcmil AL. (.813 DIA.)	1	2.65 [67]	1.62 [41]	3.06 [78]	3.25 [83]	1.75 [44]	.56 [14]	8.22 [209]	.62 [16]	.62 [16]	1.50 [38]	508 722	---	---	U608 (3) 5722 (3)	U608 (3) 5722 (3)	U608 (3) 5722 (3)	C608 (1)	Y644M (1) BAT644M (1)	2 11/16"											
YAK39A-261 YAK39A-262	700 kcmil (.964 DIA.)	1	2.65 [67]	1.62 [41]	3.06 [78]	3.25 [83]	1.75 [44]	.56 [14]	8.22 [209]	.62 [16]	.62 [16]	1.50 [38]	508 722	---	---	U608 (3)	U608 (3)	U608 (3)	C608 (1)	Y644M (1) BAT644M (1)	2 3/4"											
YAK39A-262	750 kcmil (.998 DIA.)	2	2.65 [67]	1.62 [41]	3.06 [78]	3.25 [83]	1.75 [44]	.56 [14]	8.22 [209]	.62 [16]	.62 [16]	1.50 [38]	508 722	---	---	U608 (3)	U608 (3)	U608 (3)	C608 (1)	Y644M (1) BAT644M (1)	2 3/4"											



NOTES:

- 1 FIG. 1 & FIG. 2 BARRELS PARTIALLY FILLED WITH PENETROX & SEALED.
- 2 OVERLAP CRIMPS.
- 3 SCRATCH BRUSH CONTACT SURFACES OF TONGUE AND APPLY PENETROX PRIOR TO INSTALLATION.
- 4 CATALOG #PT6515 ADAPTER IS REQUIRED TO USE "U" DIES IN Y45 SERIES TOOLS.
- 5 CATALOG #PUADP-1 ADAPTOR IS REQUIRED TO USE "U" DIES IN Y46 SERIES TOOLS.
- 6 ACCOMMODATES 4/0 STR., AL. OR CU.
- 7. DIMENSIONS IN BRACKETS [] ARE IN MILLIMETERS ROUNDED OFF TO THE NEAREST MILLIMETER, UNLESS OTHERWISE NOTED, AND ARE FOR REFERENCE ONLY.
- 8. MATERIAL: CAST ALUMINUM.

19	11/30/94	REDRAWN TO CAD AND MODERNIZED TABLE PER (PCN 1967)	JWA	DGF
REV.	DATE	DESCRIPTION	BY	C'K'D.

STACKING HYLUG (ALUMINUM)

CAT NO: **YAK-A-20-(TABLE)** SCALE: N/A

DRAWN: TED 8/19/65 CHECKED: HJM 8/26/65

DESIGN APPL: 9/1/65 HFS APPL: .

DWG. APPL: A. LLOYD 9-17-84 HFS APPL: .

CAD FILE: SD59493-SHT01 P/N REF: N/A

M/L REF: N/A

PROJECT: .

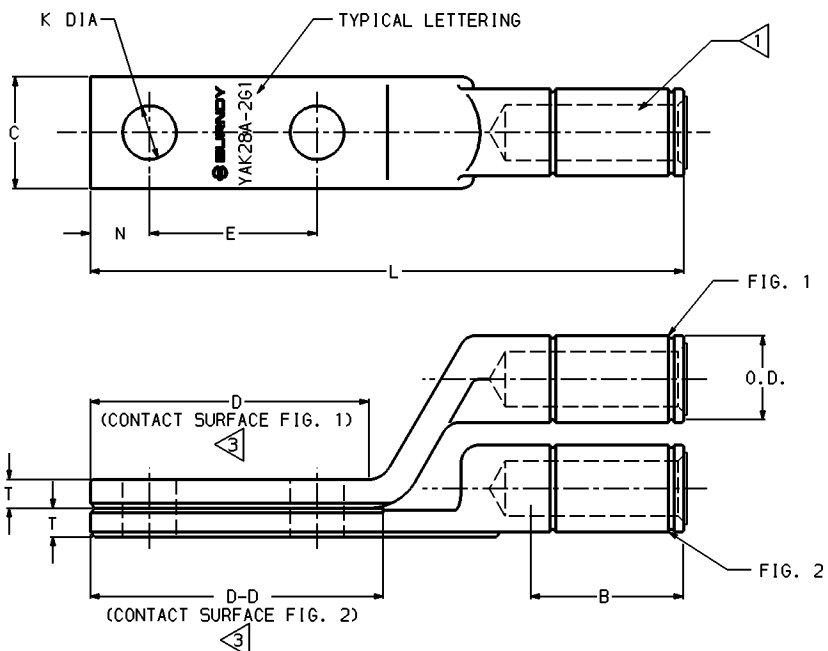
BURNDY on FCI Company
U.S. ELECTRICAL DIVISION
MANCHESTER, NH 03106

DRAWING NO: **SD59493** REV: 19

SHEET 1 of 2

REV. 11.1981

CATALOG NUMBER	ALUM. CONDUCTOR SIZE	FIG. NO.	7											6				5				4				3				2				1	
			B	C	D	D-D	E	K	L	N	T	O.D.	DIE INDEX	MECHANICAL				HYDRAULIC				DIELESS (# CRIMPS)		WIRE STRIP LENGTH											
														MD6	OUR840	Y35, Y39 Y750, BAT35, BAT750	Y46	Y48B																	
YAK2CA-261 YAK2CA-262	#2 STR. (.292 DIA.)	1 2	1.10 [281]	.91 [23]	3.06 [78]	3.25 [83]	1.75 [44]	.56 [14]	5.62 [143]	.62 [16]	.25 [6]	.65 [17]	BG K5/8 243	BG WBG (1) W243 (1)	XBG (2) XNBG (2)	U-BG (1) UK5/8-1T (3) U243 (1)	U-BG (1) JK5/8-1T (3) U243 (1)	U-BG (1) UK5/8-1T (3) U243 (1)	---	Y644M (1) BAT644M (1)	1 3/16"														
YAK4CA2G1	#4 STR-7 (.232 DIA.) #2 SDL (.258 DIA.) #3 STR-7 (.260 DIA.)	2	1.10 [281]	.91 [23]	3.06 [78]	3.25 [83]	1.75 [44]	.56 [14]	5.62 [143]	.62 [16]	.25 [6]	.65 [17]	BG K5/8 243	BG WBG (1) W243 (1)	XBG (4) XNBG (2)	U-BG (1) UK5/8-1T (3) U243 (1)	U-BG (1) JK5/8-1T (3) U243 (1)	U-BG (1) UK5/8-1T (3) U243 (1)	---	Y644M (1) BAT644M (1)	1 3/16"														
YAK25A-261 YAK25A-262	1/0 STR. (.373 DIA.)	1 2	1.10 [281]	.91 [23]	3.06 [78]	3.25 [83]	1.75 [44]	.56 [14]	5.62 [143]	.62 [16]	.25 [6]	.65 [17]	BG K5/8 243	BG WBG (1) W243 (1)	XBG (4) XNBG (2)	U-BG (1) UK5/8-1T (3) U243 (1)	U-BG (1) JK5/8-1T (3) U243 (1)	U-BG (1) UK5/8-1T (3) U243 (1)	---	Y644M (1) BAT644M (1)	1 3/16"														
YAK26A-261 YAK26A-262	2/0 STR. (.438 DIA.)	1 2	1.52 [39]	1.17 [30]	3.06 [78]	3.25 [83]	1.75 [44]	.56 [14]	6.25 [159]	.62 [16]	.30 [8]	.91 [23]	249 K840	W249 (4) W-K840 (6)	X249 (4)	U249 (2) UK840T (3)	U249 (2) UK840T (3)	U249 (2) UK840T (3)	C249 (1)	Y644M (1) BAT644M (1)	1 3/4"														
YAK27A-261 YAK27A-262	3/0 STR. (.470 DIA.)	1 2	1.52 [39]	1.17 [30]	3.06 [78]	3.25 [83]	1.75 [44]	.56 [14]	6.25 [159]	.62 [16]	.30 [8]	.91 [23]	249 K840	W249 (4) W-K840 (6)	X249 (4)	U249 (2) UK840T (3)	U249 (2) UK840T (3)	U249 (2) UK840T (3)	C249 (1)	Y644M (1) BAT644M (1)	1 3/4"														
YAK40A-261 YAK40A-262	750 kcmil COMP (.908) THRU 800 kcmil (.931)	1 2	2.65 [67]	1.62 [41]	3.06 [78]	3.25 [83]	1.75 [44]	.56 [14]	8.22 [209]	.62 [16]	.62 [16]	1.50 [38]	508 786 722	---	---	U608 (3)	U608 (3) S722 (3)	U608 (3) S786 (3)	C608 (1)	Y644M (1) BAT644M (1)	2 3/4"														



- NOTES:**
- 1 FIG. 1 & FIG. 2 BARRELS PARTIALLY FILLED WITH PENETROX & SEALED.
 - 2 OVERLAP CRIMPS.
 - 3 SCRATCH BRUSH CONTACT SURFACES OF TONGUE AND APPLY PENETROX PRIOR TO INSTALLATION.
 - 4 CATALOG #PT6515 ADAPTER IS REQUIRED TO USE "U" DIES IN Y45 SERIES TOOLS.
 - 5 CATALOG #PUADP-1 ADAPTOR IS REQUIRED TO USE "U" DIES IN Y46 SERIES TOOLS.
 - 6 ACCOMMODATES 4/0 STR., AL. OR CU.
 - 7 DIMENSIONS IN BRACKETS [] ARE IN MILLIMETERS ROUNDED OFF TO THE NEAREST MILLIMETER, UNLESS OTHERWISE NOTED, AND ARE FOR REFERENCE ONLY.
 8. MATERIAL: CAST ALUMINUM.

HYLUG (ALUMINUM)

CAT NO: **YAK-A-20- (TABLE)** SCALE: N/A

DESIGN APPVL: MS 9/3/68
 DRAWN: MGS 8/29/68
 CHECKED: J.P.S 8/30/68

FIELD APPVL: A LLOYD 9/17/84
 S/D FILE: SD59493-SHT02

PROJECT: _____
 M/D REF: N/A

BURNDY on FCI Company
 U.S. ELECTRICAL DIVISION
 MANCHESTER, NH 03106

DRAWING NO: **SD59493** REV: 19
 SHEET 2 of 2

19	12/1/94	REDRAWN TO CAD AND MODERNIZED TABLE PER (PCN 1967)	JWA	DGF
REV.	DATE	DESCRIPTION	BY	C'K'D.

REV. 11/98

X-ON Electronics

Largest Supplier of Electrical and Electronic Components

Click to view similar products for [Terminals](#) category:

Click to view products by [FCT Electronics](#) manufacturer:

Other Similar products are found below :

[HT-13-10](#) [71M-250-32-NB](#) [01-2065-1-0216](#) [00581P0075](#) [M10-10RX](#) [M10BCK](#) [60205-1](#) [604200-1](#) [60598-1-CUT-TAPE](#) [60617-1-C](#) [60873-1](#) [M14-516R/SK](#) [M14-6RSX](#) [M18-10FLX](#) [M18-8FBX](#) [M18-8R/LX](#) [M18BCK](#) [61314-6-C](#) [61-S](#) [61-SN-A](#) [62-NBM-A](#) [63-S](#) [640179-1](#) [640917-2-CUT-TAPE](#) [6501550002](#) [66107-2-C](#) [696683-1](#) [696834-1](#) [696861-1](#) [696931-1](#) [696999-1](#) [M8-516RK](#) [M86700006](#) [MA250DMFMX-A](#) [701-2007](#) [701-2307](#) [701-7761-03](#) [70F-110-32-PB](#) [718-N-A](#) [71M-187-20-NBL](#) [71M-250-32-NBL](#) [72F-187-20-NBL](#) [72M-250-32-NBL](#) [7310](#) [73F-250-32](#) [73F-250-32-NBL](#) [73F-250-32-NL](#) [F14-10C](#) [F-1M](#) [751-250](#)