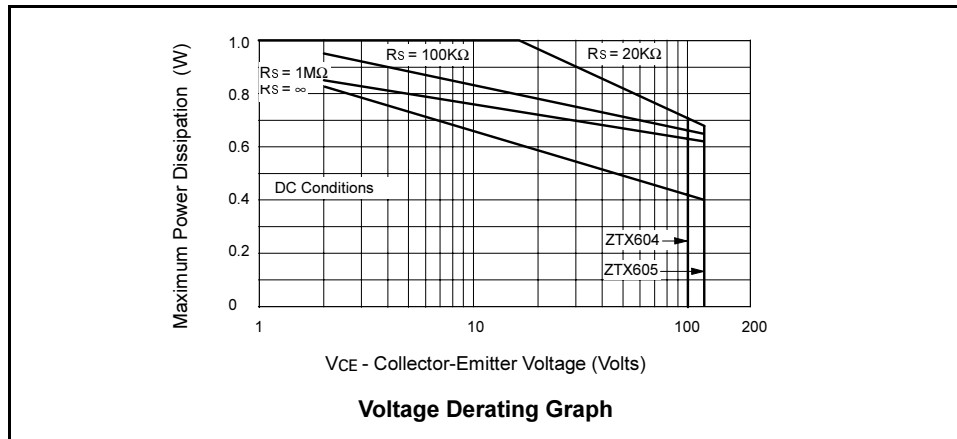


# ZTX604 ZTX605

## ELECTRICAL CHARACTERISTICS (at $T_{amb} = 25^{\circ}\text{C}$ unless otherwise stated).

PARAMETER	SYMBOL	ZTX604		ZTX605		UNIT	CONDITIONS.
		MIN.	MAX.	MIN.	MAX.		
Static Forward Current Transfer Ratio	$h_{FE}$	2K 5K 2K 0.5K	100K	2K 5K 2K 0.5K	100K		$I_C=50\text{mA}, V_{CE}=5\text{V}$ $I_C=500\text{mA}, V_{CE}=5\text{V}^*$ $I_C=1\text{A}, V_{CE}=5\text{V}^*$ $I_C=2\text{A}, V_{CE}=5\text{V}^*$
Transition Frequency	$f_T$	150		150		MHz	$I_C=100\text{mA}, V_{CE}=10\text{V}$ $f=20\text{MHz}$
Input Capacitance	$C_{ibo}$	90 Typical				pF	$V_{EB}=500\text{mV}, f=1\text{MHz}$
Output Capacitance	$C_{obo}$	15 Typical				pF	$V_{CB}=10\text{V}, f=1\text{MHz}$
Switching Times	$t_{on}$	0.5 Typical				$\mu\text{s}$	$I_C=500\text{mA}, V_{CE}=10\text{V}$ $I_{B1}=I_{B2}=0.5\text{mA}$
	$t_{off}$	1.6 Typical				$\mu\text{s}$	

\*Measured under pulsed conditions. Pulse width=300 $\mu\text{s}$ . Duty cycle  $\leq 2\%$



The maximum permissible operational temperature can be obtained from this graph using the following equation

$$T_{amb(max)} = \frac{\text{Power(max)} - \text{Power(act)}}{0.0057} + 25^{\circ}\text{C}$$

$T_{amb(max)}$  = Maximum operating ambient temperature

Power(max) = Maximum power dissipation figure, obtained from the above graph for a given  $V_{CE}$  and source resistance ( $R_s$ )

Power(actual) = Actual power dissipation in users circuit

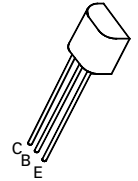
# NPN SILICON PLANAR MEDIUM POWER DARLINGTON TRANSISTORS

ISSUE 1 - MARCH 94

## FEATURES

- \* 120 Volt  $V_{CEO}$
- \* 1 Amp continuous current
- \* Gain of 2K at  $I_C=1$  Amp
- \*  $P_{tot} = 1$  Watt

# ZTX604 ZTX605



**E-Line  
TO92 Compatible**

## ABSOLUTE MAXIMUM RATINGS.

PARAMETER	SYMBOL	ZTX604	ZTX605	UNIT
Collector-Base Voltage	$V_{CBO}$	120	140	V
Collector-Emitter Voltage	$V_{CEO}$	100	120	V
Emitter-Base Voltage	$V_{EBO}$	10		V
Peak Pulse Current	$I_{CM}$	4		A
Continuous Collector Current	$I_C$	1		A
Power Dissipation at $T_{amb}=25^{\circ}\text{C}$ derate above $25^{\circ}\text{C}$	$P_{tot}$	1	5.7	W mW/ $^{\circ}\text{C}$
Operating and Storage Temperature Range	$T_j; T_{stg}$	-55 to +200		$^{\circ}\text{C}$

## ELECTRICAL CHARACTERISTICS (at $T_{amb} = 25^{\circ}\text{C}$ unless otherwise stated).

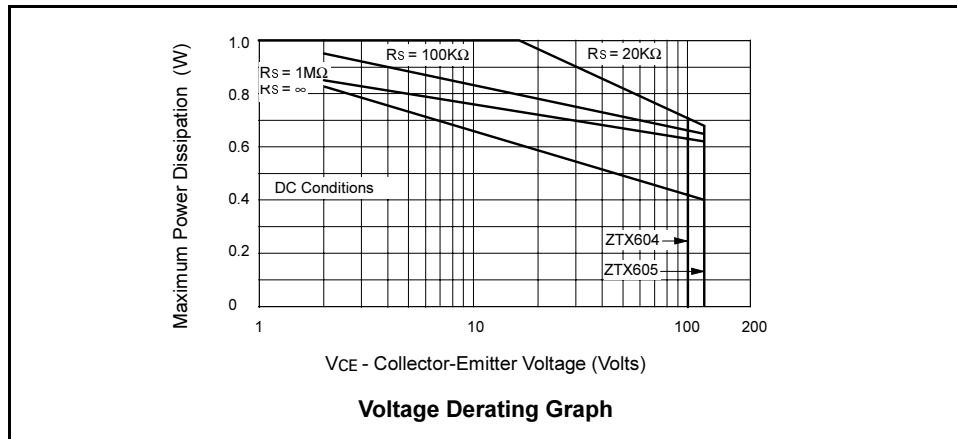
PARAMETER	SYMBOL	ZTX604		ZTX605		UNIT	CONDITIONS.
		MIN.	MAX.	MIN.	MAX.		
Collector-Base Breakdown Voltage	$V_{(BR)CBO}$	120		140		V	$I_C=100\mu\text{A}$
Collector-Emitter Breakdown Voltage	$V_{(BR)CEO}$	100		120		V	$I_C=10\text{mA}^*$
Emitter-Base Breakdown Voltage	$V_{(BR)EBO}$	10		10		V	$I_E=100\mu\text{A}$
Collector Cut-Off Current	$I_{CBO}$		0.01 10		0.01 10	$\mu\text{A}$	$V_{CB}=100\text{V}$ $V_{CB}=120\text{V}$ $V_{CB}=100\text{V}, T_{amb}=100^{\circ}\text{C}$ $V_{CB}=120\text{V}, T_{amb}=100^{\circ}\text{C}$
Emitter Cut-Off Current	$I_{EBO}$		0.1		0.1	$\mu\text{A}$	$V_{EB}=8\text{V}$
Collector-Emitter Cut-Off Current	$I_{CES}$		10		10	$\mu\text{A}$	$V_{CES}=100\text{V}$ $V_{CES}=120\text{V}$
Collector-Emitter Saturation Voltage	$V_{CE(sat)}$	1.0 1.5		1.0 1.5		V	$I_C=250\text{mA}, I_B=0.25\text{mA}^*$ $I_C=1\text{A}, I_B=1\text{mA}^*$
Base-Emitter Saturation Voltage	$V_{BE(sat)}$	1.8		1.8		V	$I_C=1\text{A}, I_B=1\text{mA}^*$
Base-Emitter Turn-On Voltage	$V_{BE(on)}$	1.7		1.7		V	$I_C=1\text{A}, V_{CE}=5\text{V}^*$

# ZTX604 ZTX605

## ELECTRICAL CHARACTERISTICS (at $T_{amb} = 25^{\circ}\text{C}$ unless otherwise stated).

PARAMETER	SYMBOL	ZTX604		ZTX605		UNIT	CONDITIONS.
		MIN.	MAX.	MIN.	MAX.		
Static Forward Current Transfer Ratio	$h_{FE}$	2K 5K 2K 0.5K	100K	2K 5K 2K 0.5K	100K		$I_C=50\text{mA}, V_{CE}=5\text{V}$ $I_C=500\text{mA}, V_{CE}=5\text{V}^*$ $I_C=1\text{A}, V_{CE}=5\text{V}^*$ $I_C=2\text{A}, V_{CE}=5\text{V}^*$
Transition Frequency	$f_T$	150		150		MHz	$I_C=100\text{mA}, V_{CE}=10\text{V}$ $f=20\text{MHz}$
Input Capacitance	$C_{ibo}$	90 Typical				pF	$V_{EB}=500\text{mV}, f=1\text{MHz}$
Output Capacitance	$C_{obo}$	15 Typical				pF	$V_{CB}=10\text{V}, f=1\text{MHz}$
Switching Times	$t_{on}$	0.5 Typical				$\mu\text{s}$	$I_C=500\text{mA}, V_{CE}=10\text{V}$ $I_{B1}=I_{B2}=0.5\text{mA}$
	$t_{off}$	1.6 Typical				$\mu\text{s}$	

\*Measured under pulsed conditions. Pulse width=300 $\mu\text{s}$ . Duty cycle  $\leq 2\%$



The maximum permissible operational temperature can be obtained from this graph using the following equation

$$T_{amb(max)} = \frac{\text{Power(max)} - \text{Power(act)}}{0.0057} + 25^{\circ}\text{C}$$

$T_{amb(max)}$  = Maximum operating ambient temperature

Power(max) = Maximum power dissipation figure, obtained from the above graph for a given  $V_{CE}$  and source resistance ( $R_s$ )

Power(actual) = Actual power dissipation in users circuit

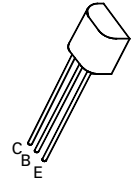
# NPN SILICON PLANAR MEDIUM POWER DARLINGTON TRANSISTORS

ISSUE 1 – MARCH 94

## FEATURES

- \* 120 Volt  $V_{CEO}$
- \* 1 Amp continuous current
- \* Gain of 2K at  $I_C=1$  Amp
- \*  $P_{tot} = 1$  Watt

# ZTX604 ZTX605



**E-Line  
TO92 Compatible**

## ABSOLUTE MAXIMUM RATINGS.

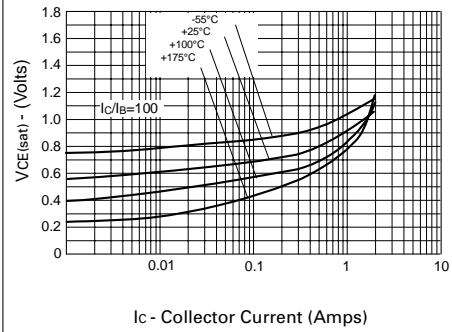
PARAMETER	SYMBOL	ZTX604	ZTX605	UNIT
Collector-Base Voltage	$V_{CBO}$	120	140	V
Collector-Emitter Voltage	$V_{CEO}$	100	120	V
Emitter-Base Voltage	$V_{EBO}$	10		V
Peak Pulse Current	$I_{CM}$	4		A
Continuous Collector Current	$I_C$	1		A
Power Dissipation at $T_{amb}=25^{\circ}\text{C}$ derate above $25^{\circ}\text{C}$	$P_{tot}$	1	5.7	W mW/ $^{\circ}\text{C}$
Operating and Storage Temperature Range	$T_j; T_{stg}$	-55 to +200		$^{\circ}\text{C}$

## ELECTRICAL CHARACTERISTICS (at $T_{amb} = 25^{\circ}\text{C}$ unless otherwise stated).

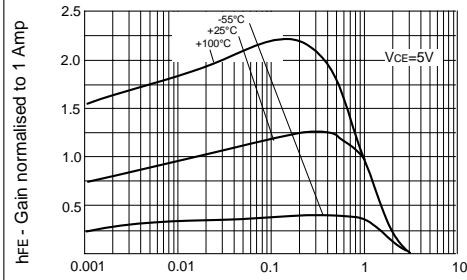
PARAMETER	SYMBOL	ZTX604		ZTX605		UNIT	CONDITIONS.
		MIN.	MAX.	MIN.	MAX.		
Collector-Base Breakdown Voltage	$V_{(BR)CBO}$	120		140		V	$I_C=100\mu\text{A}$
Collector-Emitter Breakdown Voltage	$V_{(BR)CEO}$	100		120		V	$I_C=10\text{mA}^*$
Emitter-Base Breakdown Voltage	$V_{(BR)EBO}$	10		10		V	$I_E=100\mu\text{A}$
Collector Cut-Off Current	$I_{CBO}$		0.01 10		0.01 10	$\mu\text{A}$	$V_{CB}=100\text{V}$ $V_{CB}=120\text{V}$ $V_{CB}=100\text{V}, T_{amb}=100^{\circ}\text{C}$ $V_{CB}=120\text{V}, T_{amb}=100^{\circ}\text{C}$
Emitter Cut-Off Current	$I_{EBO}$		0.1		0.1	$\mu\text{A}$	$V_{EB}=8\text{V}$
Collector-Emitter Cut-Off Current	$I_{CES}$		10		10	$\mu\text{A}$	$V_{CES}=100\text{V}$ $V_{CES}=120\text{V}$
Collector-Emitter Saturation Voltage	$V_{CE(sat)}$	1.0 1.5		1.0 1.5		V	$I_C=250\text{mA}, I_B=0.25\text{mA}^*$ $I_C=1\text{A}, I_B=1\text{mA}^*$
Base-Emitter Saturation Voltage	$V_{BE(sat)}$	1.8		1.8		V	$I_C=1\text{A}, I_B=1\text{mA}^*$
Base-Emitter Turn-On Voltage	$V_{BE(on)}$	1.7		1.7		V	$I_C=1\text{A}, V_{CE}=5\text{V}^*$

# ZTX604 ZTX605

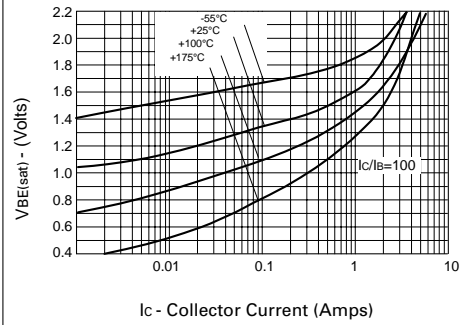
## TYPICAL CHARACTERISTICS



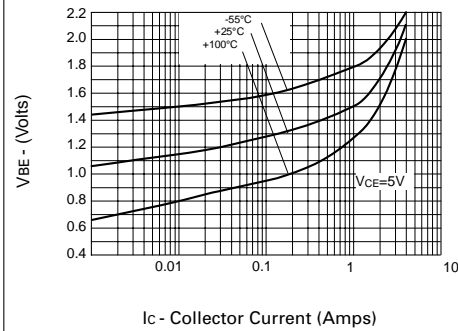
**$V_{CE(sat)}$  v  $I_C$**



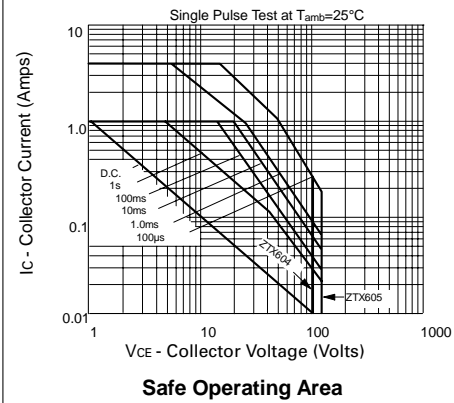
**$hFE$  v  $I_C$**



**$V_{BE(sat)}$  v  $I_C$**



**$V_{BE(on)}$  v  $I_C$**



## X-ON Electronics

Largest Supplier of Electrical and Electronic Components

*Click to view similar products for [Darlington Transistors](#) category:*

*Click to view products by [Diodes Incorporated](#) manufacturer:*

Other Similar products are found below :

[281287X](#) [SMMBT6427LT1G](#) [2N7371](#) [BDV64B](#) [JANTXV2N6287](#) [028710A](#) [SMMBTA64LT1G](#) [2N6350](#) [2SB1214-TL-E](#)  
[SMMBTA14LT1G](#) [SBSP52T1G](#) [NJVMJD117T4G](#) [Jantx2N6058](#) [2N6353](#) [LB1205-L-E](#) [500-00005](#) [2N6053](#) [NJVMJD112G](#) [Jan2N6350](#)  
[Jantx2N6352](#) [Jantx2N6350](#) [BULN2803LVS](#) [ULN2001N](#) [2SB1383](#) [2SB1560](#) [2SB852KT146B](#) [TIP112TU](#) [TIP122TU](#) [BCV27](#) [MMBTA13-](#)  
[TP](#) [MMBTA14-TP](#) [MMSTA28T146](#) [BSP50H6327XTSA1](#) [KSH122TF](#) [NTE2557](#) [NJVNJD35N04T4G](#) [TIP115](#) [MPSA29-D26Z](#) [MJD127T4](#)  
[FJB102TM](#) [BCV26E6327HTSA1](#) [BCV46E6327HTSA1](#) [BCV47E6327HTSA1](#) [BSP61H6327XTSA1](#) [BU941ZPFI](#) [2SB1316TL](#) [2SD1980TL](#)  
[NTE2350](#) [NTE245](#) [NTE246](#)