

Explosion Proof Audible Signal - 110 dB (A) Series YA60



www.stahl.de



- > Omnidirectional high output sounder 110 dB (A) / 1 m
- > 2 stage alarm, independently selectable 2nd stage
- > IP66 rated as standard
- > Aluminium enclosure with stainless steel fasteners
- > 32 selectable tones meeting international regulations
- > Sound selection via DIL switch
- > Lens guard and mounting bracket supplied as standard
- > Telephone initiate option available



14718E00

Yodalex range
Omnidirectional audible signal designed for use in hazardous or harsh environments.

		ATEX					Class I (NEC 505) (NEC 506)								Class I		Class II		Class III		
Zone		0	1	2	20	21	22	Zone	0	1	2	20	21	22	Division	1	2	1	2	1	2
For use in		x	x			x	x	For use in		x	x		x	x	For use in	x	x	x	x	x	x

Explosion Protection

Marking

IECEX

Gas explosion protection

IIB version: d IIB T4 Ta -20 °C to +60 °C Gb

Dust explosion protection

IIB+H₂ version: d IIB + H₂ T4 Ta -20 °C to +60 °C Gb

IIB version: tb IIIC T135 °C Ta -20 °C to +60 °C Db IP66

IIB+H₂ version: tb IIIC T135 °C Ta -20 °C to +60 °C Db IP66

Europe (ATEX)

Europe (ATEX)

IIB version: II 2 GD Ex d IIB T4 (T6 on request)

IIB+H₂ version: II 2 GD Ex d IIB+H₂ T4 (T6 on request)

Certificates

IECEX

IIB version: IECEX BAS 05.0086 X

IIB+H₂ version: IECEX BAS 05.0087X

Europe (ATEX)

IIB version: Baseefa 02ATEX0212X

IIB+H₂ version: Baseefa 02ATEX0222X

Other approvals

Canada (CUL), Russia (GOST-R), USA (UL), Brazil (INMETRO)

WebCode YA60A

Explosion Proof Audible Signal - 110 dB (A)

Series YA60



Selection Table

Version	Group	Rated operational voltage	Order number	Art. no.	Weight
YA60 Sounder, ATEX certification, standard devices	IIB + H ₂	24 V DC	YA60/C/D/EU	205191	5.400
		115 V AC	YA60/C/L/EU	205199	5.400
		230 V AC	YA60/C/N/EU	205200	5.400
YA60 Sounder, UL certification, standard devices	IIB + H ₂	24 V DC	YA60/B/D/UL	205202	5.400
		115 V AC	YA60/B/L/UL	205204	5.400
		230 V AC	YA60/B/N/UL	207054	5.400
YA60 Sounder, IECEx certification, standard devices	IIB + H ₂	24 V DC	YA60/C/D/IN	205197	5.400
		115 V AC	YA60/C/L/IN	212393	5.400
		230 V AC	YA60/C/N/IN	212394	5.400
YA60 Sounder, GOST R certification, standard devices	IIB + H ₂	24 V DC	YA60/C/D/RU	205198	5.400
		115 V AC	YA60/C/L/RU	212395	5.400
		230 V AC	YA60/C/N/RU	212396	5.400

Note Variations in gas group and voltage are available, please use the table below to order

Selection Table

Version	Variations	Order Number
YA60 Sounder, devices acc. to specification	Type code: please fill in fields	YA60 / - / - / - / -
	Gas group	
	EU, IN and RU units IIB B	
	IIB + H ₂ C	
	UL units C, D gas groups C	
	B gas groups B	
	Rated Operational Voltage	
	24 V DC D	
	48 V DC F	
	115 V AC L	
	230 V AC N	
	Certification	
	ATEX EU	
	UL UL	
	IECEX IN	
	GOST-R RU	
	Additions	
	activation telephone initiate TI	
	AC voltages only	

H2

Explosion Proof Audible Signal - 110 dB (A)

Series YA60



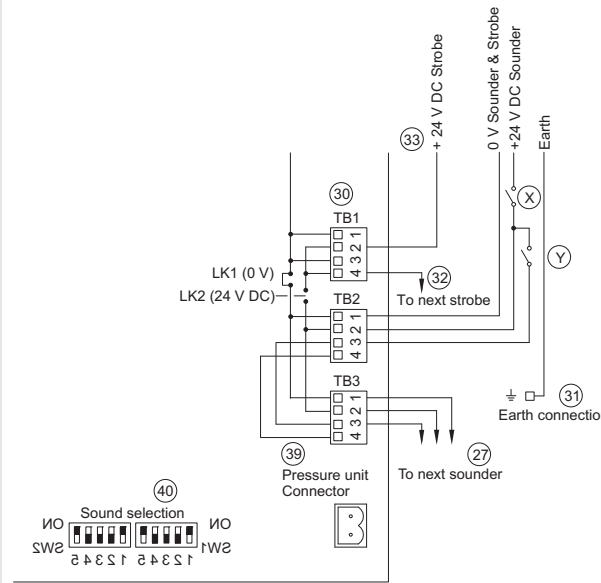
Technical Data

Electrical data

Rated operational voltage	24 V DC, 115 or 230 V AC	
Current consumption	24 V DC	IECEX, ATEX, UL, GOST 350 mA
	115 V AC	IECEX, ATEX, UL, GOST 110 mA
	230 V AC	IECEX, ATEX, UL, GOST 55 mA

Schematic

Standard DC alarm connection and sound signal selection



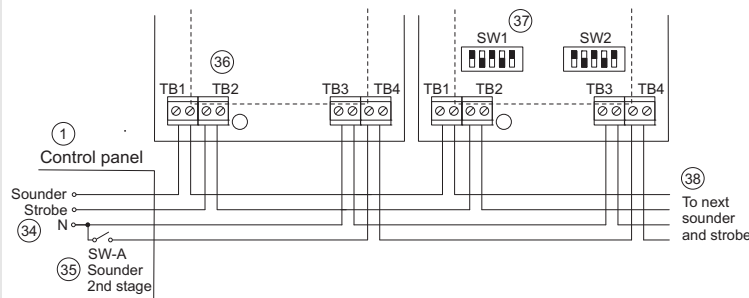
14809E00

Two stage alarm by third core.
Strobe shown with common 0 V.
Line monitoring by reversal.
Select alarm stage 1 on SW1.
Select alarm stage 2 on SW2.

NOTE:

The two stage control always operates as follows:
The first stage sounds by supplying volts to a unit via control switch 'X'. This switch remains on and the second stage signal is controlled by switching volts to the third terminal via switch 'Y'.

AC alarm connection and sound signal selection



14810E00

Legend

- 1 = External power supply, provided by user
- 27 = Connections to additional sounder/horn
- 30 = Terminal blocks for incoming and outgoing wiring
- 31 = Internal earth terminal
- 32 = Connections to additional strobe/beacon
- 33 = Control voltage for strobe/beacon (connection to TB1), common voltage for both strobe/beacon and sounder/horn (connection to TB2), control voltage for sounder/horn (connection to TB2)
- 34 = Live voltage for sounder/horn (connection to TB1), live voltage for strobe/beacon (connection to TB2), common neutral for both strobe/beacon and sounder/horn (connection to TB3)
- 35 = Switch for second stage alarm
- 36 = Terminal blocks for incoming and outgoing wiring
- 37 = Dual in line sound selection switches, situated on reverse
- 38 = Connections to additional sounder/horn and strobe beacon
- 39 = Connecting socket used for pressure unit, situated on reverse of the PCB
- 40 = Dual in line sound selection switches, situated on reverse of PCB

Explosion Proof Audible Signal - 110 dB (A)

Series YA60





Technical Data

Acoustic data	
Volume	110 db (A) / 1 m
Sound selection	via DIL-switch
Ambient conditions	
Ambient temperature	version
	IIB Europe T4 -35 ... +60 °C
	T6 -35 ... +40 °C
	IIB + H ₂ Europe T4 -20 ... +60 °C
	T6 -20 ... +40 °C
Mechanical data	
Material	aluminium, seawater resistant
Enclosure	ABS, flame retardant
Horn	stainless steel
Assembly parts	IP66, 4X
Degree of protection	2 cable entries, equipped with stopping plug (1x) and dust cap (1x) UL devices: equipped with M20 / 1/2" adapters (2x)
Cable entries	

H2

Accessories and Spare Parts

Designation	Illustration	Description	Group	Order number	Art. no.	WebCode
Cable gland	 07625E00	Compound Barrier Cable Glands Ex d and Ex e for all Types of Unarmoured Cables	IIB + H ₂ and IIC	8163/2-20-PXSS2K-M20	138888	8163J
	 14742E00	Compound Barrier Cable Glands Ex d and Ex e for all Types of Armoured Cables	IIB + H ₂ and IIC	8163/2-20-PX2K-M20	138875	8163I

Note Approvals of cable entries have to be observed.

Dimensional Drawings (All Dimensions in mm / inches) - Subject to Alterations



We reserve the right to make alterations to the technical data, dimensions, weights, designs and products available without notice. The illustrations cannot be considered binding.

X-ON Electronics

Largest Supplier of Electrical and Electronic Components

Click to view similar products for [clifford](#) and [snell](#) manufacturer:

Other Similar products are found below :

[YA50/L/RF/WR](#) [YL50/L50/A/RF/WR](#) [YA80/D/RF/SU/WR](#) [FL40/N50/R/RN](#) [YL40/D50/R/RN/WR](#) [YL40/D50/A/RN/WR](#)

[YL50/N50/R/RF/WR](#) [YA50/N/RF/WR](#) [YA30/D/RF/WR](#) [YL50/D50/A/RF/WR](#) [YA50/D/RF/WR](#) [YL50/L50/R/RF/WR](#) [YL50/D50/R/RF/WR](#)