

MAIN FEATURES

- Choice of two sound signals
- Surface or flush mount available
- Red / white flame retardant ABS plastic enclosure
- High sound output
- Low current consumption
- Continuously rated
- Complies with BS5839

TECHNICAL SPECIFICATION

- Operating voltage 24Vdc +/-10%
- Operating temp range -25 to +55 deg C
- Relative humidity 95% @ 40 deg C
- IP54 rated
- Sound output 24Vdc 100dB @ 1 mtr
(12Vdc versions will produce approx. 6dB less output)
- Current consumption 24Vdc 30mA
- Weight 0.33Kg

MOUNTING

The Low Cost Sounder series alarm units should be mounted to a reasonably flat wall or bulkhead of suitable material using the internal fixing holes (mounting gasket supplied). The recommended fixing screws are dia 4.5 mm max x 20 mm long.

FOR MONITORING SOUNDER LINES BY SUPPLY REVERSAL

For monitoring Negative Vdc to terminal 1
Positive Vdc to terminal 2
For continuous tone alarm signal Reverse polarity
Polarised input available by cutting LINK

FOR MONITORING SOUNDER LINES BY THRESHOLD VOLTAGE METHOD

For monitoring, Vdc applied must be less than 1 volt
For alarm signal, connect as described below observing polarity appropriate to alarm selected.

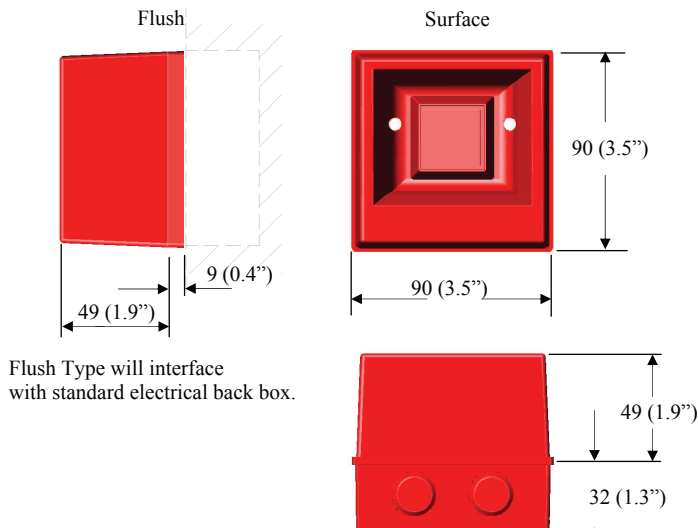
TONE TABLE

Continuous tone (800Hz) Positive Vdc to terminal 1
Negative Vdc to terminal 2
Alternative tones (800Hz/1000Hz) Reverse polarity

ORDERING INFORMATION

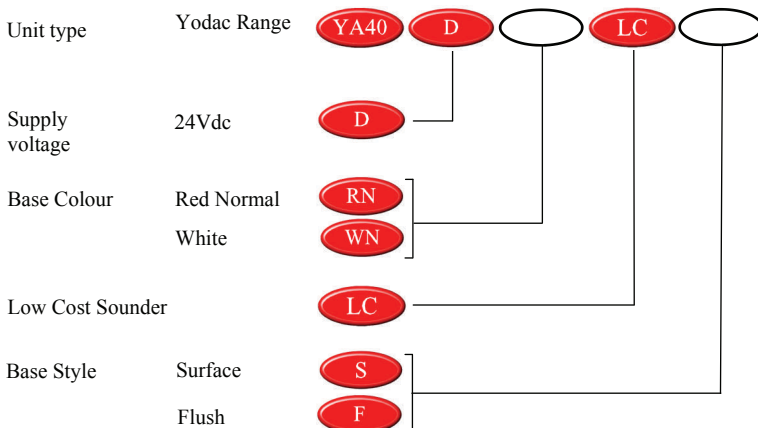
Base Colours:
RN = Red normal
WN = White

DIMENSIONS (mm)



All dimensions quoted are approximate only and subject to change without notice as are technical features resulting from continual development and improvement.

CONFIGURATOR



X-ON Electronics

Largest Supplier of Electrical and Electronic Components

Click to view similar products for [clifford](#) and [snell](#) manufacturer:

Other Similar products are found below :

[YA50/L/RF/WR](#) [YL50/L50/A/RF/WR](#) [YA80/D/RF/SU/WR](#) [FL40/N50/R/RN](#) [YL40/D50/R/RN/WR](#) [YL40/D50/A/RN/WR](#)

[YL50/N50/R/RF/WR](#) [YA50/N/RF/WR](#) [YA30/D/RF/WR](#) [YL50/D50/A/RF/WR](#) [YA50/D/RF/WR](#) [YL50/L50/R/RF/WR](#) [YL50/D50/R/RF/WR](#)