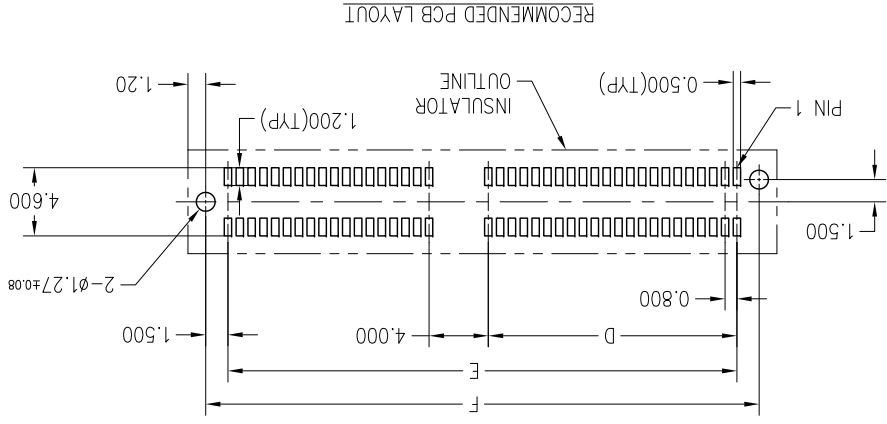
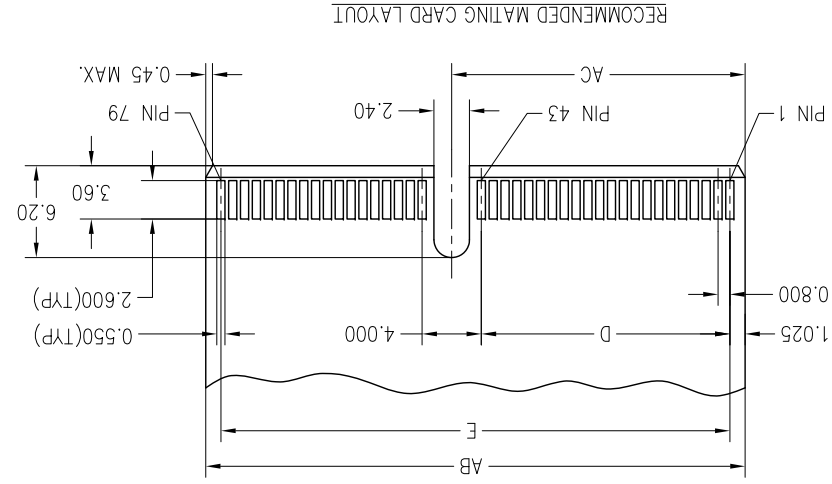
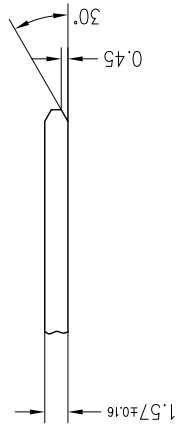
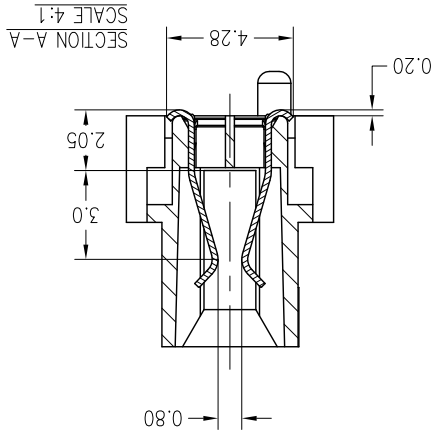
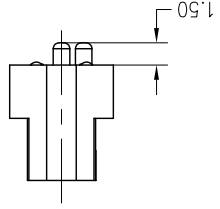
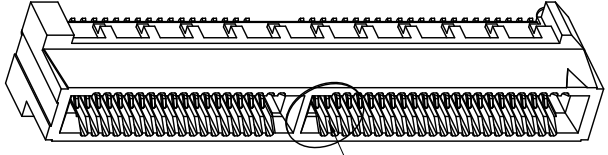
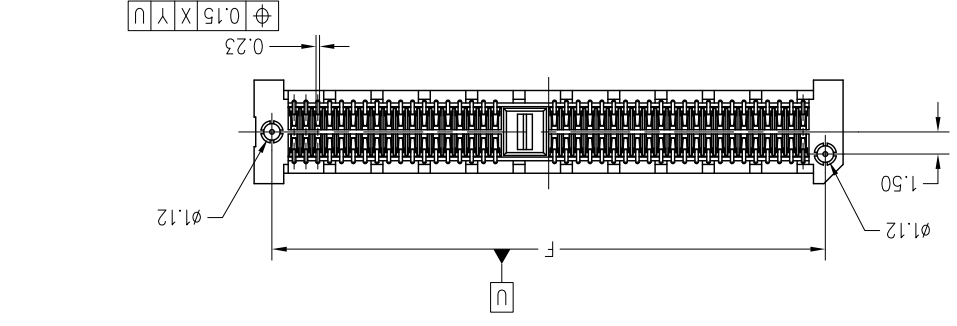
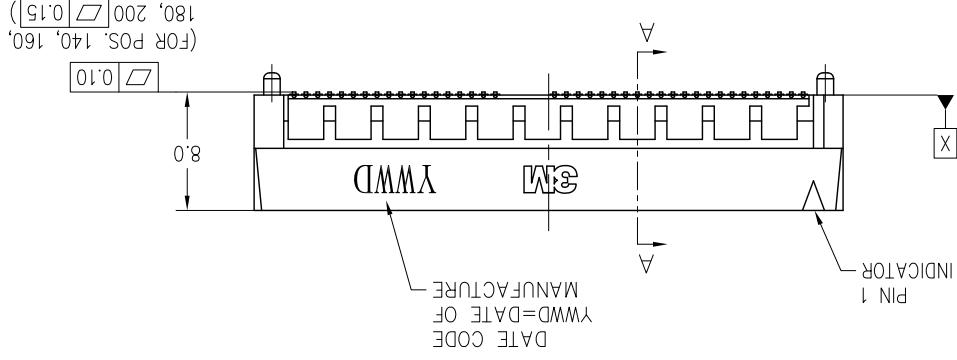
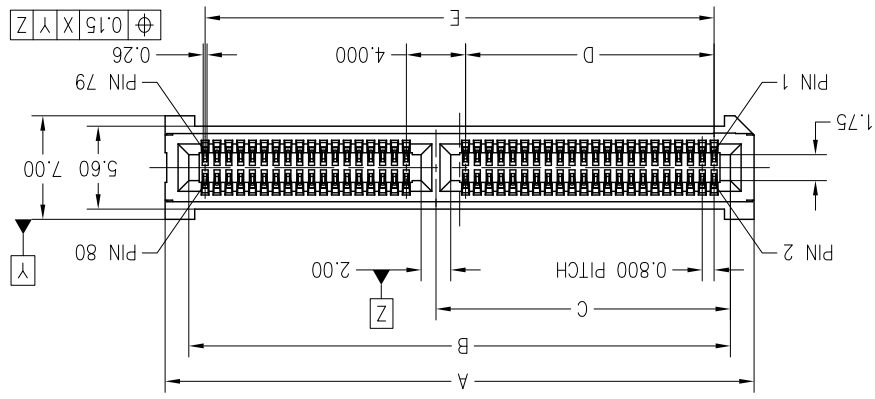


3M™ HIGH SPEED CARD-EDGE CONNECTOR, SPD08 SERIES

FIG. 2
FOR POSITIONS 050, 080, 100, 120,
140, 160, 180, 200, W/O LATCH TYPE
(SHOWN: SPD08-080-XX-TR)



POSITIONS	A	B	C	D	E	F	AB	AC
200	87.80	84.60	27.90	24.800	85.40	27.825	84.45	27.825
180	79.80	76.60	27.90	24.800	77.40	27.825	76.45	27.825
160	71.80	68.60	27.90	24.800	69.40	27.825	68.45	27.825
140	63.80	60.60	27.90	24.800	61.40	27.825	60.45	27.825
120	55.80	52.60	27.90	24.800	53.40	27.825	52.45	27.825
100	47.80	44.60	23.90	20.800	45.40	23.825	44.45	19.825
80	39.80	36.60	19.90	16.800	37.40	19.825	36.45	19.825
50	27.80	24.60	7.10	4.000	25.40	7.025	24.45	7.025
DIMENSIONS								

REV	DATE	CHKD	DATE	APPL	DATE	ISSUE DATE AND DESCRIPTION	DRAFT	CHKD
B	05/11/11	K.D. LIU	05/11/11					

DESIGN REFERENCE	NEXT ASSEMBLY	DIVISION CODE	ESD

DO NOT SCALE	DRAWING SCALE	INCHES	MILLIMETERS
2:1			

MAX SURFACE ROUGHNESS	INTERPRET PER	THIRD ANGLE PROJECTION
0.00 ± 0.10	ASME Y14.5 - 1994	

ANGLES #	MARKED ONLY
3	

MODEL	SIZE	CAGE NUMBER	ST. PAUL, MN 55144
78-5100-2420-7	C		

REV	DATE	CHKD	DATE	APPL	DATE	ISSUE DATE AND DESCRIPTION	DRAFT	CHKD
B	05/11/11	K.D. LIU	05/11/11					

SPD08 HIGH SPEED CARD EDGE CONNECTOR, 0.8MM PITCH SMT

© 3M COPYRIGHT
This document is the copyrighted property of the 3M Company and may not be reproduced without 3M written permission or used for other than 3M authorized purposes.

DRAWING NUMBER
REVISION

X-ON Electronics

Largest Supplier of Electrical and Electronic Components

Click to view similar products for [3m manufacturer](#):

Other Similar products are found below :

[SC401U](#) [98-0003-3071-6](#) [00-054007-70220-7](#) [00-054007-34717-0](#) [021200-40230](#) [6840-2X50-GRAY](#) [701-W](#) [7993MP-2CIRCLE-100](#)
[FDV14-187C](#) [8124/14](#) [812510-100](#) [8125/17](#) [813216](#) [8204-3LFM](#) [8425-8](#) [MNG14BCX](#) [FP301-1-6"-Clear](#) [FV14-6C](#) [920102-01-25-R](#)
[927739-40](#) [929835-01-28-RK](#) [929836-09-16](#) [929974-01-40-R](#) [951240-2520-AR-PR](#) [960X/980X](#) [98-0003-3075-7](#) [HF36564-100](#) [HF625/26-](#)
[30](#) [1/2-5-5430](#) [1/2-5-850S](#) [1/2-5-3431](#) [12X12-6-4056B](#) [12X12-6-433](#) [12X12-6-4930](#) [13-500-NB](#) [14526-EZ5B-300-02C](#) [1-4-4658F](#) [14520-](#)
[EZAB-300-0EC](#) [DSTK9013-3420](#) [DSTK9015-3402](#) [14T26-SZLB-200-0LC](#) [14T50-SZWB-100-0NC](#) [1-5-3437](#) [1-5-4496W](#) [1-5-4943F](#) [1-5-](#)
[363](#) [1-5-5451](#) [1-5-421](#) [158250-0120](#) [MTI14-187L](#)