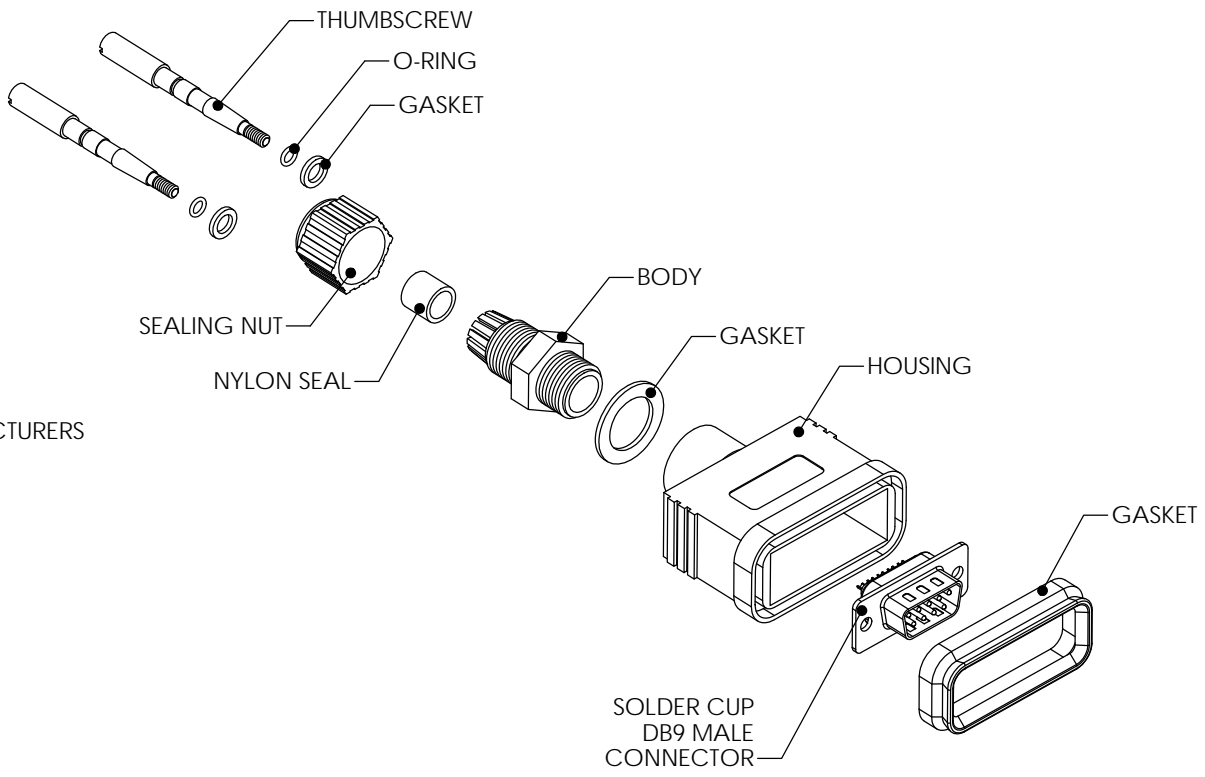
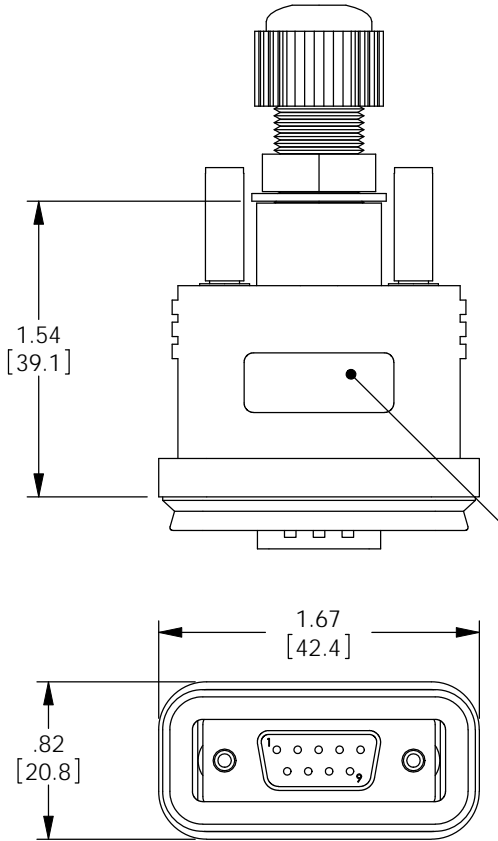


THE INFORMATION CONTAINED IN THIS DRAWING IS THE SOLE PROPERTY OF L-COM, INC. ANY REPRODUCTION IN PART OR WHOLE WITHOUT THE WRITTEN PERMISSION OF L-COM, INC. IS PROHIBITED.

REVISIONS			
REV	DESCRIPTION	DATE	APPROVED
A	INITIAL CHECK IN	01/30/04	MCCORMICK
B	ECN# 2731 - ADDED ROHS STAMP	10/23/07	D.GRIFFIN
C	ECN 3957: CHANGE MAIL HOUSING FROM NYLON TO ABS, NEW FORMAT	4/22/09	D.FRISIELLO
D	ECN 4278: ADDED OPERATING TEMPERATURE RANGE AND PACKAGING	10/1/09	D.FRISIELLO



- NOTES:**
1. RECOMMENDED CABLE DIAMETER: .138 ϕ THRU .276 ϕ
 2. IP (INGRESS PROTECTION) RATING: 67.
 3. OPERATING TEMPERATURE RANGE: -40 °C TO +105 °C.
 4. COMPONENT ASSEMBLY SHALL BE INDIVIDUALLY PACKAGED IN ACCORDANCE WITH L-COM SPECIFICATION PS-0031.

MATERIAL:
 GASKETS: EPDM
 BODY: NYLON
 HOUSING: ABS
 O-RING: SILICONE
 SEAL: EPDM
 SEALING NUT: NYLON
 THUMBSCREW: BRASS

FINISH:
 THUMBSCREW: NICKEL PLATE

RoHS Compliant ✓

UNLESS OTHERWISE SPECIFIED, DIMENSIONS ARE IN INCHES [mm] DIMENSIONAL TOLERANCES: .X = ±.1 .XX = ±.02 .XXX = ±.005 ANGULAR TOLERANCES: ALL = ± 1°	APPROVALS	DATE			45 BEECHWOOD DRIVE NORTH ANDOVER, MA 01845
	DRAWN BY C.MCCORMICK	01/28/2004			
	CHECKED BY D.PARHAM	01/28/2004	CATEGORY		DATA CABLING
	APPROVED BY R.CARRICK	01/28/2004	PRODUCT DESCRIPTION		DB9 MALE WATERPROOF CONNECTOR
PROJECTION 	COLOR VARIATIONS MAY OCCUR	SIZE A	FSCM NO. 43321	DWG. NO. WPDB9P-KIT	REV. D
REF		SCALE: NONE	CAD FILE: WPDB9P-KIT.SLDDRW		SHEET 1 OF 1

X-ON Electronics

Largest Supplier of Electrical and Electronic Components

Click to view similar products for [l-com](#) manufacturer:

Other Similar products are found below :

[FOA-550A](#) [UMC-201](#) [CSMN50MF-5](#) [CSMNB15MF-15](#) [TRD815RA2BL-5](#) [CA3A-90DA-1M](#) [CTLF3VGAMM-20](#) [HDCAMM-3](#)
[U3A00014-03M](#) [CSMT15MF-10](#) [CSMT15MM-15](#) [CSMT15MM-25](#) [CSPL15MF-50](#) [CSPL25MF-25](#) [CSPL9MF-10](#) [CSPL9MF-5](#)
[CSPL25MF-5](#) [CSPL25MF-2.5](#) [AL-IPEPS](#) [NB201611-10F-1](#) [TDG1026KC5-MNL](#) [NB121005-10F](#) [TRD855SRA6DBL-10M](#)
[TRD855SRA7DBL-1M](#) [TRD855SRA7DBL-10M](#) [U2A00017-05M](#) [PR175SCDLCQ24](#) [TRG508-T4T-3M](#) [TRA5261-15F](#) [TRA5261S-1F](#)
[TRA6261-1F](#) [USBBFT](#) [DGB25M](#) [HG2403RD-RSF](#) [CASATAL-18](#) [CSM25MM-10](#) [CSM37MF-10](#) [CSUSB-100](#) [CA3A-90RA-1M](#) [CA3A-](#)
[90RMICB-1M](#) [U2A00003-3M](#) [U3A00003-05M](#) [U2A00008-12I](#) [U3A00007-075M](#) [U3A00007-1M](#) [HGV-903U](#) [CSMT15MF-5](#)
[CSMT15MM-50](#) [CSPL15MF-25](#) [LPXT-WP-PMT](#)