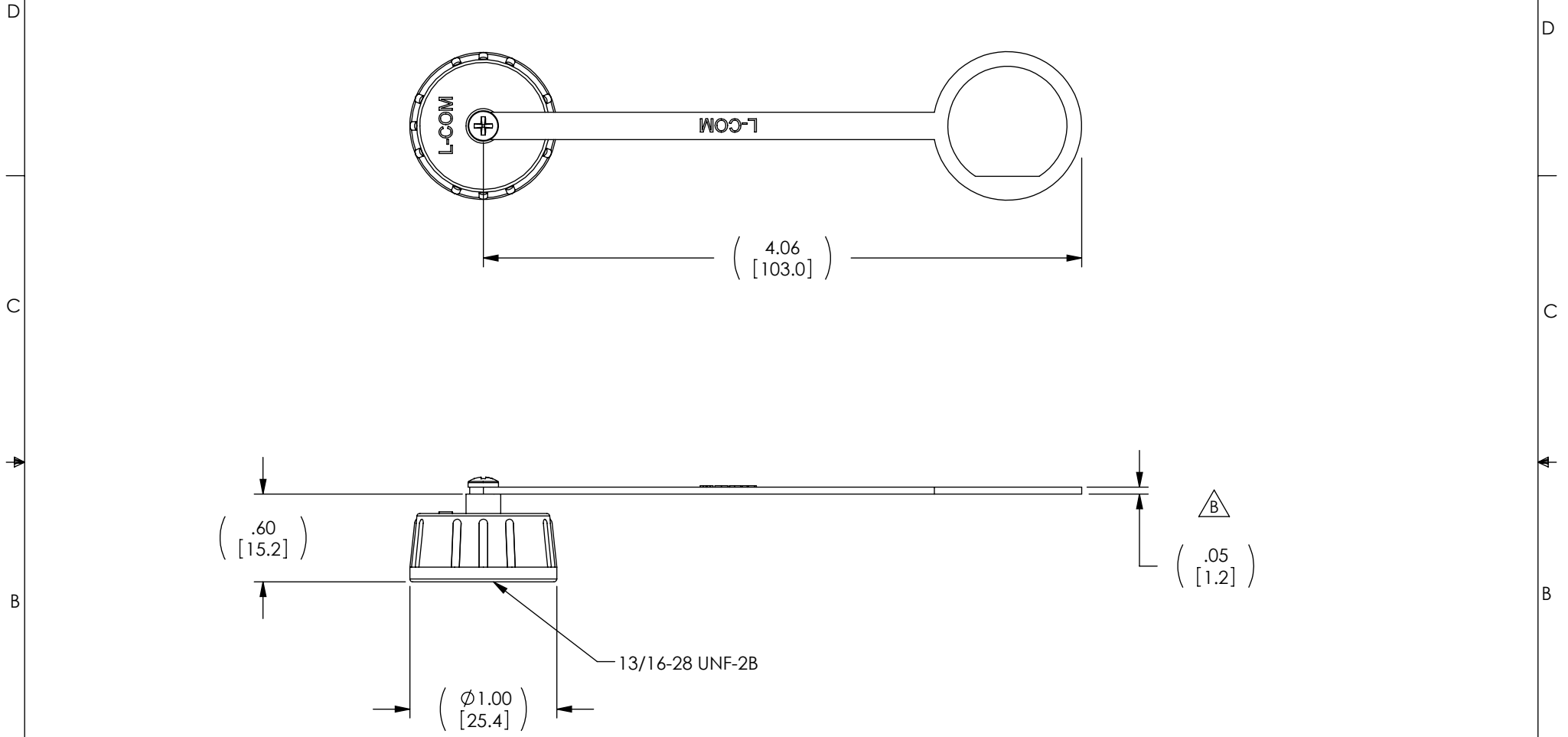


THE INFORMATION CONTAINED IN THIS DRAWING IS THE SOLE PROPERTY OF L-COM, INC. ANY REPRODUCTION IN PART OR WHOLE WITHOUT THE WRITTEN PERMISSION OF L-COM, INC. IS PROHIBITED.

REVISIONS			
REV	DESCRIPTION	DATE	APPROVED
A	INITIAL RELEASE	3/11/10	D.GRIFFIN
B	ECN 5397: DELETED DIM. .08, ADDED DIM. .05	3/22/11	D. CASTRO



NOTES:

1. INGRESS PROTECTION RATING, IP67.
2. CAP: ZN-ZDC-3.
3. GASKET: BLACK, EPDM.
4. SCREW: ST. STEEL
5. RUBBER LEAD: HYTREL, BLACK.
6. RUBBER LEAD CAN ROTATE FREELY AROUND SCREW.
7. CAP ASSEMBLY SHALL BE INDIVIDUALLY PACKAGED IN ACCORDANCE WITH L-COM SPECIFICATION PS-0031.

RoHS Compliant ✓

UNLESS OTHERWISE SPECIFIED, DIMENSIONS ARE IN INCHES [mm] OVERALL CABLE LENGTH TOLERANCE: ≤12 [305] = +1 [25] / -0 >12 [305] ≤60 [1524] = +2 [51] / -0 >60 [1524] ≤120 [3048] = +4 [102] / -0 >120 [3048] ≤300 [7620] = +6 [152] / -0 >300 [7620] = +3% / -0% ALL OTHER DIMENSIONAL TOLERANCES: .X = ±.2 .XX = ±.02 .XXX = ±.005	APPROVALS DRAWN BY D. CASTRO CHECKED BY D. PARHAM APPROVED BY S. SMITH	DATE 2/26/10 3/9/10 3/9/10	45 BEECHWOOD DRIVE NORTH ANDOVER, MA 01845
	CONFIGURATION DETAILS OF UNDIMENSIONED FEATURES MAY VARY		
PROJECTION 	COLOR VARIATIONS MAY OCCUR	SIZE A	FSCM NO. 43321 DWG. NO. WPCVR-SHLD-USB REV. B
SCALE: NONE		CAD FILE: WPCVR-SHLD-USB.SLDDRW	SHEET 1 OF 1

A

A

X-ON Electronics

Largest Supplier of Electrical and Electronic Components

Click to view similar products for [l-com manufacturer](#):

Other Similar products are found below :

[FOA-550A](#) [UMC-201](#) [CSMN50MF-5](#) [CSMNB15MF-15](#) [TRD815RA2BL-5](#) [CA3A-90DA-1M](#) [CTLF3VGAMM-20](#) [HDCAMM-3](#)
[U3A00014-03M](#) [CSMT15MF-10](#) [CSMT15MM-15](#) [CSMT15MM-25](#) [CSPL15MF-50](#) [CSPL25MF-25](#) [CSPL9MF-10](#) [CSPL9MF-5](#)
[CSPL25MF-5](#) [CSPL25MF-2.5](#) [AL-IPEPS](#) [NB201611-10F-1](#) [TDG1026KC5-MNL](#) [NB121005-10F](#) [TRD855SRA6DBL-10M](#)
[TRD855SRA7DBL-1M](#) [TRD855SRA7DBL-10M](#) [U2A00017-05M](#) [PR175SCDLCQ24](#) [TRG508-T4T-3M](#) [TRA5261-15F](#) [TRA5261S-1F](#)
[TRA6261-1F](#) [USBBFT](#) [DGB25M](#) [HG2403RD-RSF](#) [CASATAL-18](#) [CSM25MM-10](#) [CSM37MF-10](#) [CSUSB-100](#) [CA3A-90RA-1M](#) [CA3A-](#)
[90RMICB-1M](#) [U2A00003-3M](#) [U3A00003-05M](#) [U2A00008-12I](#) [U3A00007-075M](#) [U3A00007-1M](#) [HGV-903U](#) [CSMT15MF-5](#)
[CSMT15MM-50](#) [CSPL15MF-25](#) [LPXT-WP-PMT](#)