

# ZXCT1011

## High-side low drift current monitor

### Description

The ZXCT1011 is a high side current sense monitor. Using this type of device eliminates the need to disrupt the ground plane when sensing a load current.

The ZXCT1011 takes the voltage developed across a current shunt resistor and translates it into a proportional output current.

A user defined output resistor scales the output current into a ground referenced voltage.

A current reference resistor, external to the IC, results in an improved temperature coefficient compared to the ZXCT1009.

The wide input voltage range of 20V down to as low as 2.5V make it suitable for a range of applications. With a minimum operating current of just 4uA, combined with its SOT23-5 package make it suitable for portable battery equipment too.

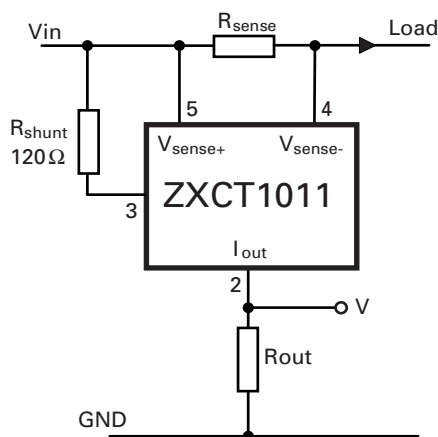
### Features

- Accurate high-side current sensing
- 2.5V to 20V supply range
- 4  $\mu$ A quiescent current
- 1% typical accuracy
- Package SOT23-5
- Temperature range -40 to 125°C

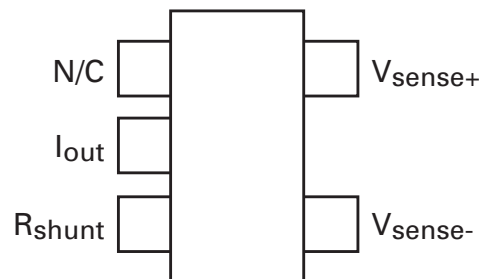
### Applications

- Automotive current measurement
- Battery management
- DC motor and solenoid control
- Over current monitor
- Power management

### Typical application circuit



### Pin connections



### Ordering information

Order code	Pack	Part mark	Reel Size inches (mm)	Tape width	Quantity Per reel
ZXCT1011E5TA	SOT23-5	1011	7 (180)	8mm	3,000

## Absolute maximum ratings

$V_{\text{sense+}}$	20 V
Voltage on any pin	0.6V and $V_{\text{sense+}} + 0.5V$
$V_{\text{sense+}}$ to $V_{\text{sense-}}$	2.5V
Operating temperature	-40 to 125°C
Storage temperature	-55 to 150°C
Maximum junction temperature	150°C
Package power dissipation	300mW at $T_A = 25^\circ\text{C}$ (De-rate to zero at 150°C)

Operation above the absolute maximum rating may cause device failure. Operation at the absolute maximum ratings, for extended periods, may reduce device reliability.

## Electrical characteristics

Test conditions  $T_A = 25^\circ\text{C}$ ,  $V_{\text{in}} = 5V$ ,  $R_{\text{shunt}} = 120\Omega$ ,  $V_{\text{sense}} = 100\text{mV}$ . Unless otherwise stated.

Symbol	Parameter	Conditions	Min	Typ.	Max	Units
$V_{\text{in}}^*$	Supply range	-	2.5	-	20	V
$I_{\text{out}}$	Output current	$V_{\text{sense}} = 0V$ $= 10\text{mV}$ $= 30\text{mV}$ $= 100\text{mV}$ $= 200\text{mV}$ $= 500\text{mV}$	1 84 273 0.97 1.95 4.85	4 116 320 1.00 2.00 5.00	15 124 330 1.03 2.05 5.15	$\mu\text{A}$ $\mu\text{A}$ $\mu\text{A}$ mA mA mA
$V_{\text{sense}}$	Sense voltage <sup>†</sup>	-	0	-	500	mV
$I_{\text{sense-}}$	$V_{\text{sense-}}$ input current	-	-	-	100	nA
Acc	Accuracy	$R_{\text{sense}} = 0.1\Omega$ $V_{\text{sense}} = 100\text{mV}$	-3	-	3	%
$g_m$	Transconductance $I_{\text{out}}/V_{\text{sense}}$	$R_{\text{shunt}} = 120\Omega$	-	10	-	mA/V
Tc	Temperature coefficient <sup>‡</sup>	-	-	30	150	ppm/°C
BW <sup>**</sup>	Bandwidth	$V_{\text{sense}} = 10\text{mV}$ $CL = 5\text{pF}$ , $R_{\text{out}} = 1\text{k}\Omega$ $V_{\text{sense}} = 100\text{mV}$ $CL = 5\text{pF}$ , $R_{\text{out}} = 1\text{k}\Omega$	-	400 1.5	-	kHz MHz
PSSR	Supply rejection	$V_{\text{sense}} = 200\text{mV}$ , $R_{\text{out}} = 1\text{k}\Omega$	-	68	-	dB

### NOTES:

\*  $V_{\text{sense+}}$  relative to  $I_{\text{out}}$ .

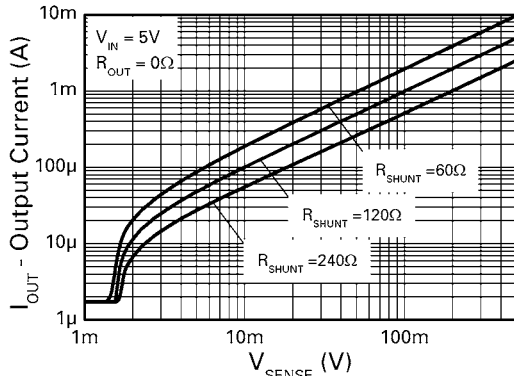
†  $V_{\text{sense}} = (V_{\text{sense+}}) - (V_{\text{sense-}})$ .

‡ Temperature dependent measurements are extracted from characterization and simulation results.

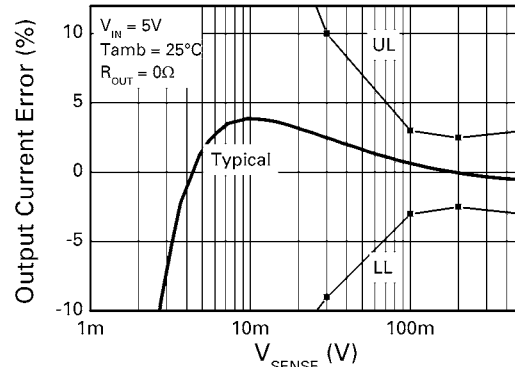
\*\* Where CL is the capacitance across  $R_{\text{out}}$ .

## Typical characteristics

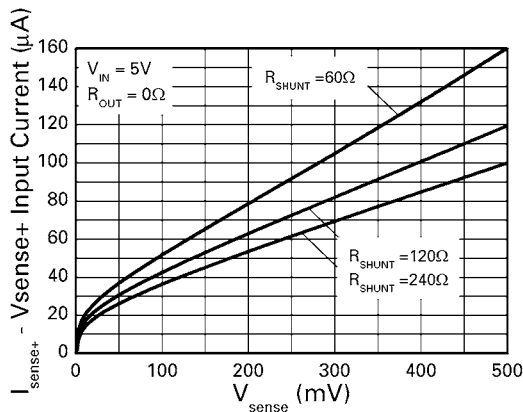
$T_A=25^\circ\text{C}$ ,  $R_{\text{shunt}} = 120$  unless otherwise stated.



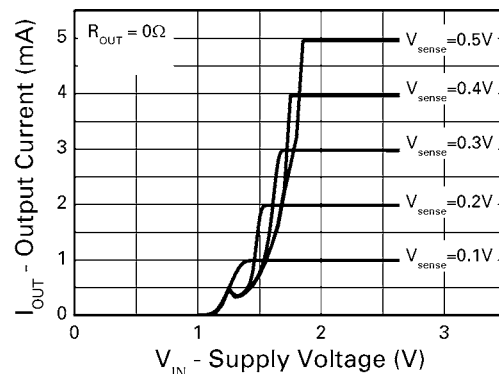
Output v Sense Voltage



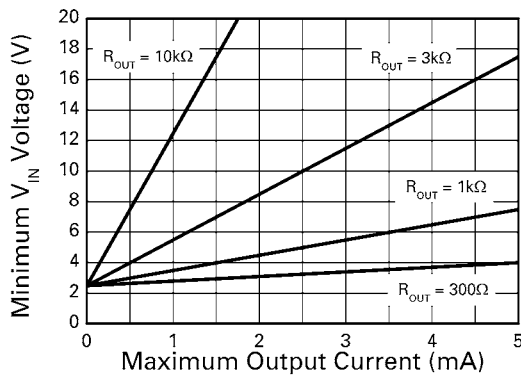
Error v Sense Voltage



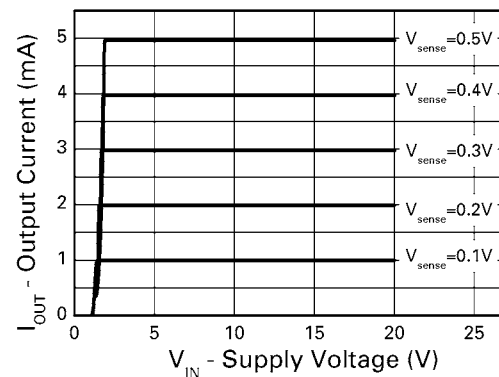
Vsense+ Current v Sense Voltage



Transfer Characteristic



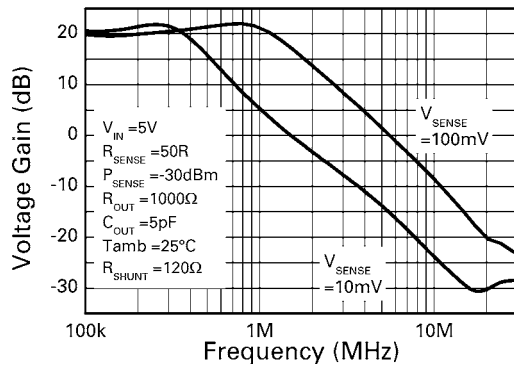
Minimum Useable Supply Voltage



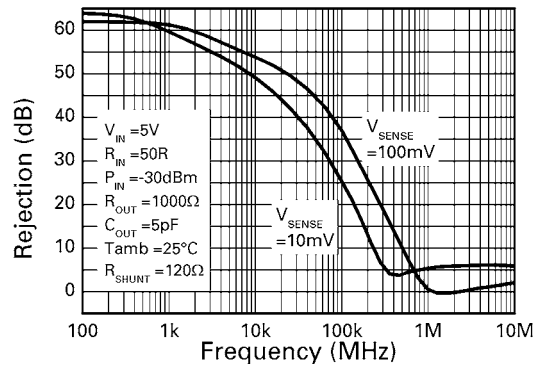
Transfer Characteristic

## Typical characteristics

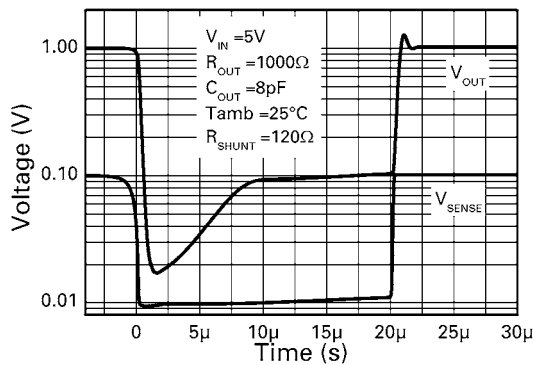
$T_A=25^\circ\text{C}$ ,  $R_{\text{shunt}} = 120$  unless otherwise stated.



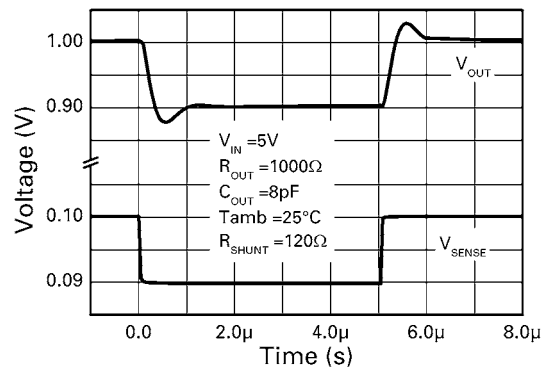
**Frequency Response**



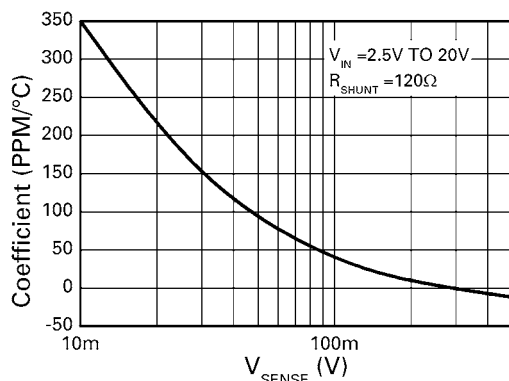
**Common Mode Rejection**



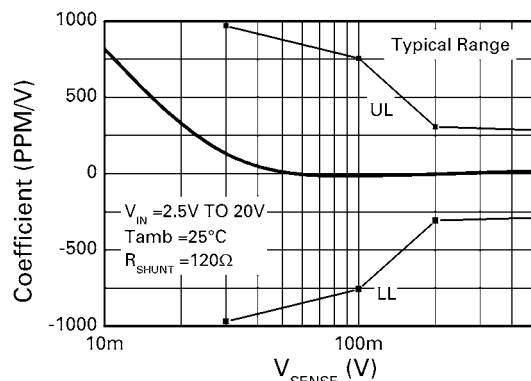
**Large Signal Step Response**



**Small Signal Step Response**



**Transconductance v Temperature**



**Transconductance v Voltage**

## Pin description

Pin no.	Pin name	Pin function
1	N/C	No connection
2	$I_{out}$	Output current - follows transconductance of sense voltage $g_m = 10\text{mA/V}$ for $R_{shunt}=120\Omega$
3	$R_{shunt}$	Trimming resistor Input. - used to trim gain value $60\Omega \leq R_{shunt} \leq 240\Omega$
4	$V_{sense-}$	Low side current sense input. – connect to load/battery etc. Must be lower than $V_{sense+}$ for correct operation. Cannot be grounded without additional series resistor.
5	$V_{sense+}$	High side current sense input. – Connect to supply rail. Must be higher than $V_{sense+}$ for correct operation.

## Application information

### Design example

The following lines describe how to scale a load current to an output voltage.

$$V_{sense} = (V_{sense+}) - (V_{sense-}) = I_{load} \times R_{sense}$$

Defining then

$$I_{out} = I_q + V_{sense} \times g_m$$

since

$$g_m = 1.2 / R_{shunt}$$

$$I_{out} = I_q + [ (V_{sense} \times 1.2) / R_{shunt} ]$$

$$= I_q + [ (1.2 \times I_{load} \times R_{sense} / R_{shunt}) ]$$

**Note:**  $I_q$  is embedded into the specification of the ZXCT1011 and therefore appears an offset error.

$$\therefore V_{out} = (R_{out} \times I_{offset}) + [(1.2 \times R_{out} \times I_{load} \times R_{sense}) / R_{shunt}]$$

The output current of the ZXCT1011 is directly related to the size of the trimming resistor used. It is important to ensure the tolerance of  $R_{shunt}$  is considered. A 1% change in  $R_{shunt}$  will cause a 1% change in output.

Consider the following: -

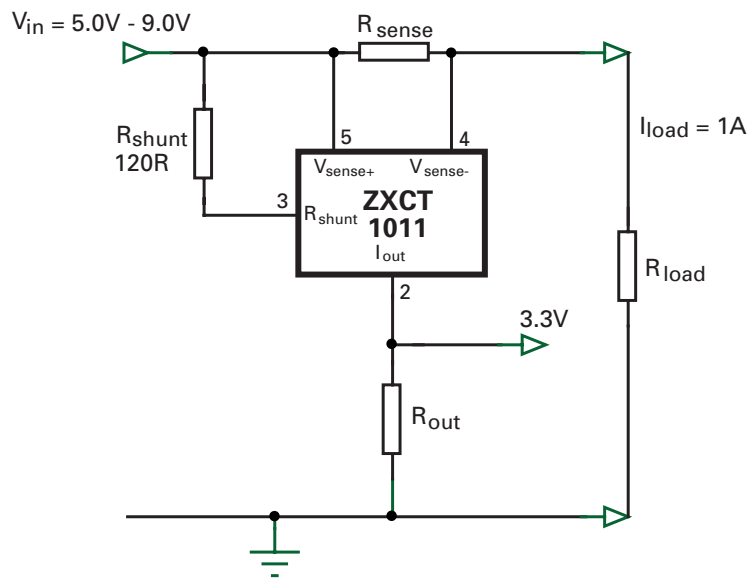
# ZXCT1011

A 1 ampere load current is to be measured into a battery. The output signal required to an over current controller needs to be 3.3V. What is a suitable value of  $R_{out}$  and what will the error due to the supply current be?

$$V_{in} = 5.0V - 9.0V$$

$$I_{load} = 1.0A$$

Output signal required: 3.3V



**Figure 1 ZXCT1011 to measure a 1.0 A load current**

To obtain the highest accuracy, choose the of  $R_{sense}$  to give 100mV:

$$R_{sense} = 0.1/1.0 = 0.1\Omega$$

The transconductance using a 120Ω resistor will be 10mA/V.

Choose  $R_{out}$  to give  $V_{out} = 3.3V$ , when  $V_{sense} = 100mV$

Rearranging equation 1 without the offset error gives:

$$R_{out} = (V_{out} \times R_{shunt}) / (1.2 \times I_{Load} \times R_{sense})$$

$$R_{out} = 3.3k\Omega$$

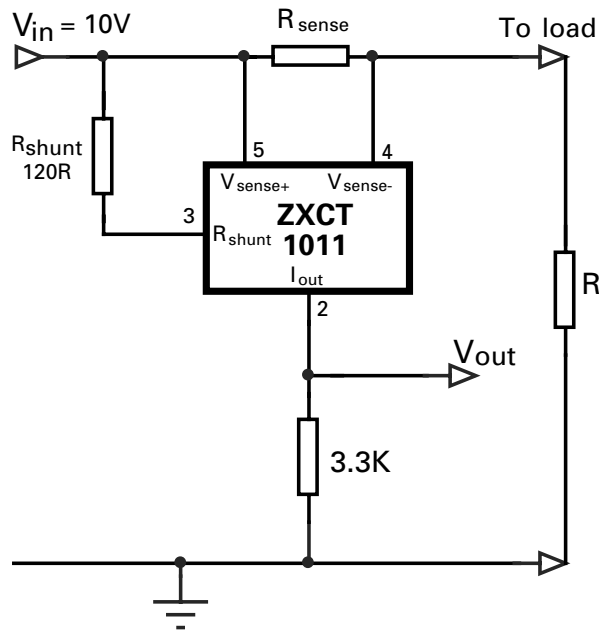
Now consider the offset error for this resistor:

$$\text{Offset due to supply current} = R_{out} \times 4 \times 10^{-6} \mu A = 13.2mV = 0.4\%$$

## Application information (cont.)

### Minimum operating voltage

The minimum operating voltage of the ZXCT1011 is 2.5V and is defined as the difference between  $V_{sense+}$  and the  $I_{out}$  pin. It must be ensured that sufficient headroom is given for the operation of the device when considering  $R_{out}$ .



**Figure 2 Considerations for supply rail**

Voltage across device 2.5V

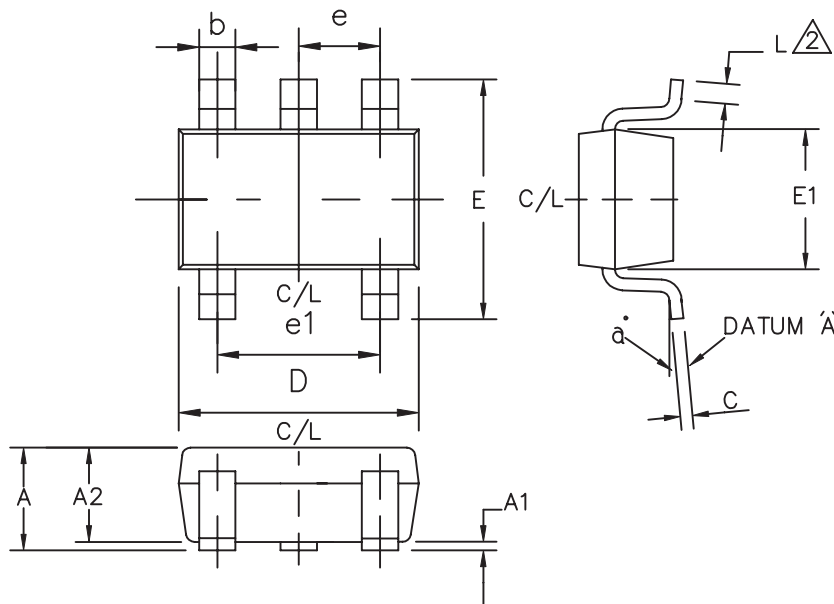
$V_{in} - V_{out} = 2.5V$

Where  $V_{out} = I_{out} \times R_{out}$

At low supply voltages and high Vsense measurements, special care must be taken to ensure the correct operation.

The circuit in figure 2.0 shows a ZXCT1011 operating from 10V supply rail. The minimum operating voltage of the ZXCT1011 is 2.5V. This allows a maximum output voltage of 7.5V to be set at  $V_{out}$ . A 3k resistor on the output would draw a maximum 2.5mA from  $I_{out}$ . - See minimum usable supply voltage graph on page 4.

## Packaging details - SOT23-5



DIM	MILLIMETRES		INCHES	
	MIN	MAX	MIN	MAX
A	0.90	1.45	0.0354	0.0570
A1	0.00	0.15	0.00	0.0059
A2	0.90	1.30	0.0354	0.0511
b	0.20	0.50	0.0078	0.0196
C	0.09	0.26	0.0035	0.0102
D	2.70	3.10	0.1062	0.1220
E	2.20	3.20	0.0866	0.1181
E1	1.30	1.80	0.0511	0.0708
L	0.10	0.60	0.0039	0.0236
e	0.95	REF	0.0374	REF
e1	1.90	REF	0.0748	REF
a	0°	30°	0°	30°

### NOTE

- 1 ALL DIMENSIONS ARE IN MILLIMETRES .
- 2 FOOT LENGTH MEASURED REFERENCE TO FLAT FOOT SURFACE PARALLEL TO DATUM 'A' .
- 3 PACKAGE OUTLINE EXCLUSIVE OF MOLD FLASH AND METAL BURR.
- 4 COMPLY TO EIAJ SC74A.

#### Europe

Zetex GmbH  
Streitfeldstraße 19  
D-81673 München  
Germany

Telefon: (49) 89 45 49 49 0  
Fax: (49) 89 45 49 49 49  
europe.sales@zetex.com

#### Americas

Zetex Inc  
700 Veterans Memorial Highway  
Hauppauge, NY 11788  
USA

Telephone: (1) 631 360 2222  
Fax: (1) 631 360 8222  
usa.sales@zetex.com

#### Asia Pacific

Zetex (Asia Ltd)  
3701-04 Metroplaza Tower 1  
Hing Fong Road, Kwai Fong  
Hong Kong

Telephone: (852) 26100 611  
Fax: (852) 24250 494  
asia.sales@zetex.com

#### Corporate Headquarters

Zetex Semiconductors plc  
Zetex Technology Park, Chadderton  
Oldham, OL9 9LL  
United Kingdom

Telephone (44) 161 622 4444  
Fax: (44) 161 622 4446  
hq@zetex.com

These offices are supported by agents and distributors in major countries world-wide.

This publication is issued to provide outline information only which (unless agreed by the company in writing) may not be used, applied or reproduced for any purpose or form part of any order or contact or be regarded as a representation relating to the products or services concerned. The company reserves the right to alter without notice the specification, design, price or conditions of supply of any product or service.



## X-ON Electronics

Largest Supplier of Electrical and Electronic Components

*Click to view similar products for* [Current & Power Monitors & Regulators](#) *category:*

*Click to view products by* [Diodes Incorporated](#) *manufacturer:*

Other Similar products are found below :

[NCS37000MNG](#) [MP5011DQ-LF-P](#) [514007X](#) [NCP4353BSNT1G](#) [ZXCT1009QFTA](#) [MAX8717ETI+T](#) [MAX1807EUB+](#) [MAX34408ETE+](#)  
[MAX14586ETA+T](#) [MAX34411ETG+](#) [MAX34407EVKIT#](#) [MAX14590ETA+T](#) [MAX4980ETA+T](#) [MAX4866LEUT+T](#) [MAX4008EUT+T](#)  
[MAX4865LELT+T](#) [MAX4845DEYT+T](#) [MAX4841EXT+T](#) [DS3920T-001+T](#) [MAX1964TEEE+T](#) [LTC2970HUFD-1#PBF](#)  
[LTC2970HUFD#PBF](#) [ZXCT1080QE5TA](#) [ZXCT1081QE5TA](#) [NCP4353ASNT1G](#) [MAX1864TEEE+T](#) [PAC1931T-I/J6CX](#)  
[MAX20086ATPA/VY+](#) [NCV361SNT1G](#) [ZXCT1008QFTA](#) [PE-68383NL](#) [90E36ERGI](#) [1N5307](#) [EMC1704-2-AP-TR](#) [MAX8688AHETG+](#)  
[MAX8688ALETG+](#) [MAX4866LELT+T](#) [MAX44299UWE+T](#) [MAX4846ELT+T](#) [MAX34409ETE+](#) [MAX4006EUTT](#) [MAX16127TC+T](#)  
[MAX1964TEEE](#) [DS3923T+](#) [DS1865T](#) [DS1842N+](#) [STPMS1BPQR](#) [STPM33TR](#) [ISL28023FR60Z](#) [ISL28022FUZ-T](#)