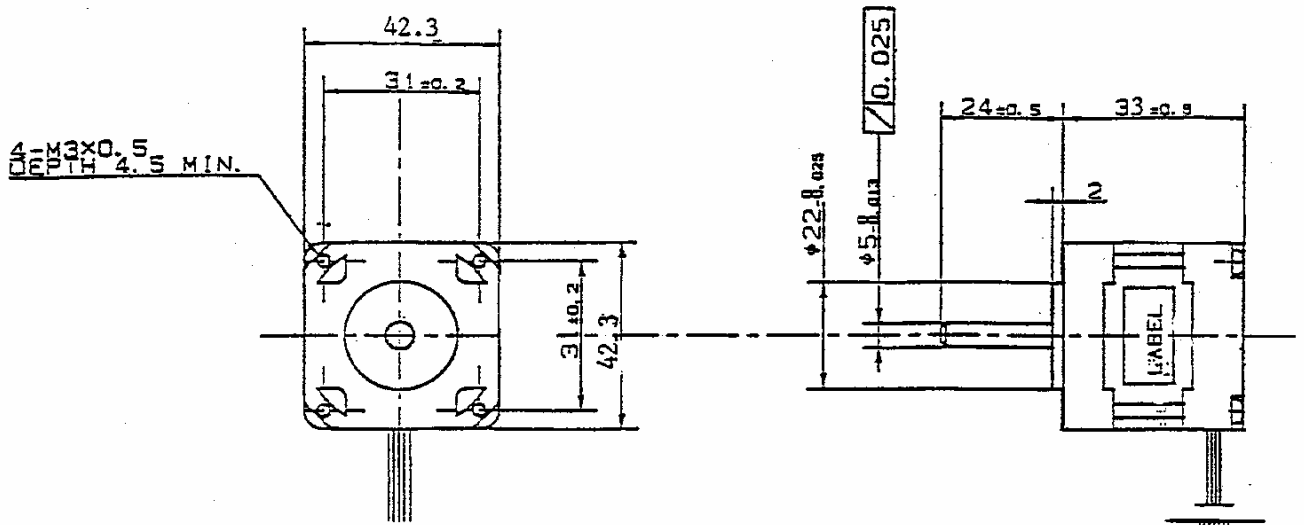
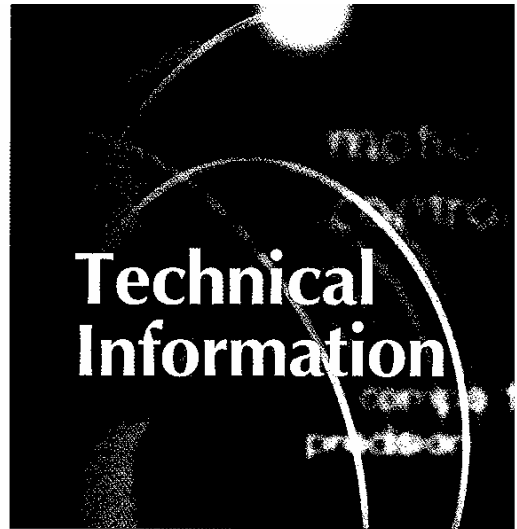


Stepping Motor

Type Y129



Specification		Y129
Step angle		1.8°
Step angle accuracy	%	5
Phase current	A	0.16
Phase resistance	Ω	75
Phase inductance	mH	60
Holding torque unipolar	Ncm	9
Holding torque bipolar	Ncm	-
Detent torque	Ncm	1.5
Rotor inertia	g cm ²	28
Mass	Kg	0.22
Insulation Class		B
Shaft configuration		Single
Number of leads		6

All dimensions in mm

Issue 01 01/03

ASTROSYN
ADVANCING THE DRIVE TOWARDS MOTOR EFFICIENCY



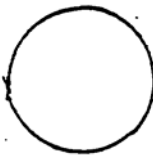
STEPPER MOTOR Y129

NEW

OLD

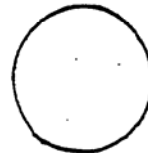
AMENDMENT TO LEAD WIRE COLOUR CODE CONFIGURATION TO FARNELL TYPE 586389 EFFECTIVE FROM THE 26TH MARCH 1997.

BROWN	A
WHITE	O
RED	A



ORANGE	B
BLACK	O
YELLOW	B

BROWN	A
BLACK	O
ORANGE	A



RED	B
WHITE	O
YELLOW	B

X-ON Electronics

Largest Supplier of Electrical and Electronic Components

Click to view similar products for [astrosyn](#) manufacturer:

Other Similar products are found below :

[MY7001](#) [MY3002](#) [MY4001](#)