

XZBWR2STT24

programmable receiver - 4 PNP - 200 mA - 24 V DC - 2 pusbuttons - 6 LEDs



Main

Product or component type	Programmable receiver
Device application	Interface to PLC
Product compatibility	Radio transmitter XZBWE

Complementary

Function of module	Receiver unit for remote sensor
Number of transceivers	> 0...2 by ZigBee
Nominal output current	0.8 A at 24 V DC
Output type	Transistor PNP
Output contacts	4 PNP
Time delay range	0.5 s (- 15...15 %)
Starting time	<= 400 ms
Maximum switching current	200 mA DC
Minimum switching current	10 mA
[Us] rated supply voltage	24 V DC (- 15...20 %)
Voltage drop	<= 2 V (nominal output current <= 200 mA)
Communication port protocol	Zigbee green power at 2.4 GHz
Maximum sensing distance	25 m in a metal enclosure 100 m in free field
Response time	< 30 ms after sensor change
Number of channels	<= 2 per receiver
Utilisation category	DC-13 conforming to EN/IEC 60947-5-1
Power consumption in W	26 W DC
Breaking capacity	4.8 W per output
Short circuit protection	1 A by fast blow fuse
Operating position	Any position without derating
Electrical connection	2 conductors cable 0.14...1.5 mm ² AWG 26...AWG 16 flexible with cable end conforming to IEC 60947-1 1 conductor cable 0.14...4 mm ² AWG 26...AWG 12 flexible with cable end conforming to IEC 60947-1 2 conductors cable 0.14...1.5 mm ² AWG 26...AWG 16 solid without cable end conforming to IEC 60947-1 1 conductor cable 0.14...2.5 mm ² AWG 26...AWG 14 solid without cable end conforming to IEC 60947-1
Tightening torque	0.5...1 N.m conforming to EN/IEC 60947-1
Housing material	Self-extinguishing plastic
Status LED	Output active: 4 LEDs green Reception signal: 1 LED green and yellow Power ON: 1 LED green
Mounting support	Mounting plate 35 mm symmetrical DIN rail conforming to EN/IEC 60715
Rated short-duration power frequency withstand voltage	1 kV at 50 Hz conforming to EN/IEC 60947-5-1

The information provided in this documentation contains general descriptions and/or technical characteristics of the performance of the products contained herein. This documentation is not intended as a substitute for and is not to be used for determining suitability or reliability of these products for specific user applications. It is the duty of any such user or integrator to perform the appropriate and complete risk analysis, evaluation and testing of the products with respect to the relevant specific application or use thereof. Neither Schneider Electric Industries SAS nor any of its affiliates or subsidiaries shall be responsible or liable for misuse of the information contained herein.

[Uimp] rated impulse withstand voltage	0.8 kV
Width	36 mm
Height	108 mm
Depth	75 mm
Product weight	0.13 kg
Marking	CE

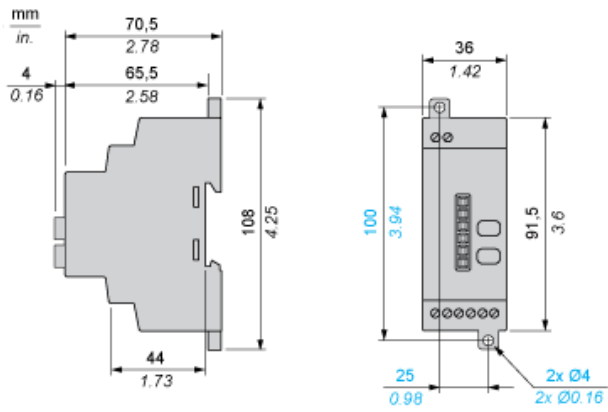
Environment

Surge withstand	Common mode: 1 kV conforming to IEC 61000-4-5 Differential mode: 0.5 kV conforming to IEC 61000-4-5
Standards	EN/IEC 60947-1 EN/IEC 60947-5-1
Ambient air temperature for storage	-40...70 °C
Relative humidity	90 % without condensation (-20...55 °C) conforming to ETSI EN 300 328
Vibration resistance	2 gn (8...150 Hz) conforming to IEC 60068-2-6 +/- 7.5 mm (5...14 Hz) conforming to IEC 60068-2-6
Shock resistance	10 gn with 6000 shocks during 16 ms conforming to IEC 60068-2-27
IP degree of protection	Terminals: IP20 conforming to IEC 60529 Casing: IP20 conforming to IEC 60529
Pollution degree	2 conforming to IEC 60664-1
Overvoltage category	III conforming to IEC 60664-1
Insulation resistance	> 500 MOhm at 500 V DC conforming to NF C 20-030
[Ui] rated insulation voltage	< 60 V conforming to IEC 60664-1
Electromagnetic compatibility	Immunity to microbreaks and voltage drops 7 ms conforming to IEC 61000-4-11 1.2/50 µs shock waves immunity test 1 kV common mode conforming to IEC 61000-4-5 1.2/50 µs shock waves immunity test 0.5 kV differential mode conforming to IEC 61000-4-5 Electrical fast transient/burst immunity test 1 kV PNP output wires conforming to IEC 61000-4-4 Radiated emission conforming to ETSI EN 300 328 Conducted emission conforming to ETSI EN 301 489-17 Radiated emission conforming to ETSI EN 301 489-17 Conducted RF disturbances 10 V conforming to IEC 61000-4-6 Electrical fast transient/burst immunity test 2 kV power supply wires conforming to IEC 61000-4-4 Susceptibility to electromagnetic fields 3 V/m, 1.4 MHz...2 GHz at 3 m conforming to IEC 61000-4-3 Susceptibility to electromagnetic fields 10 V/m, 80 MHz...1 GHz at 3 m conforming to IEC 61000-4-3 Electrostatic discharge immunity test 6 kV on contact (on metal parts) conforming to IEC 61000-4-2 Electrostatic discharge immunity test 8 kV in free air (in insulating parts) conforming to IEC 61000-4-2 Conducted and radiated emissions class B conforming to CISPR 22 Immunity for industrial environments conforming to EN/IEC 61000-6-2

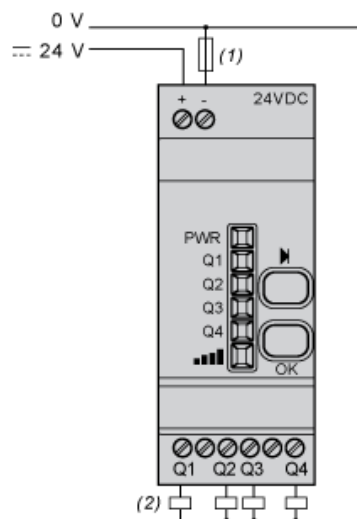
Offer Sustainability

Sustainable offer status	Not Green Premium product
RoHS (date code: YYWW)	Compliant - since 1510 - Schneider Electric declaration of conformity

Receiver Dimensions

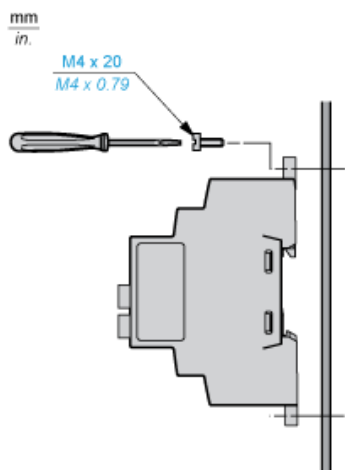


Receiver Wiring Diagram

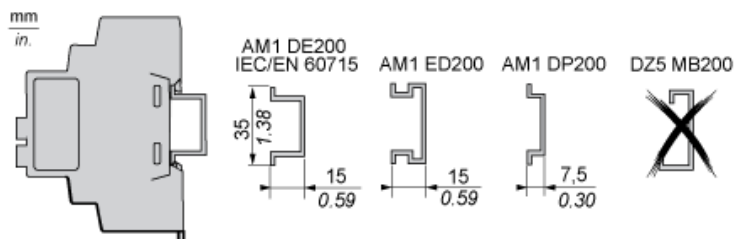


- (1) 400 mA fast-blow fuse
- (2) $I_{max} = 200 \text{ mA}$

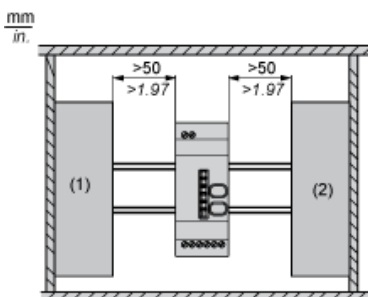
Receiver Mounting



Receiver Mounting

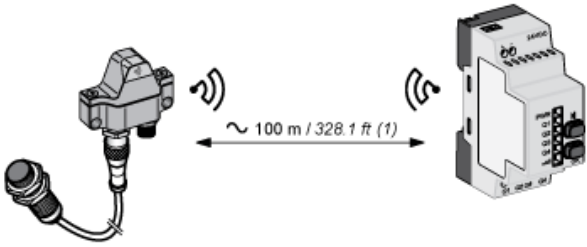


Receiver Mounting



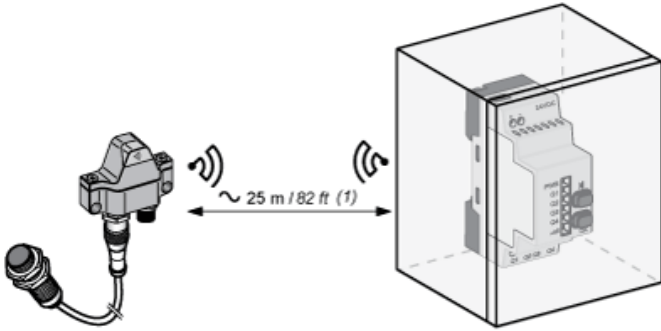
- (1) Drive
- (2) Power Supply or PLC

Unobstructed Mounting



(1) Typical values that may be modified by the application environment.

Mounting in a Metal Cabinet



(1) Typical values that may be modified by the application environment.

X-ON Electronics

Largest Supplier of Electrical and Electronic Components

Click to view similar products for [Telemecanique manufacturer:](#)

Other Similar products are found below :

[9007CO54B2](#) [9007B3](#) [9007F4](#) [9007FA2](#) [AC118](#) [XCSSL784B3](#) [XCSTE5513](#) [XZCP0266L5](#) [XZCPV1965L5](#) [ZCPED44](#) [XZCPV1041L5](#)
[XZCP29P12L2](#) [XUZASW006](#) [XUY40324](#) [XUX9APBNT16](#) [XUB4BPAWM12](#) [XCSPA793](#) [XCSB703](#) [SC300A500FP](#) [VM1NNO](#)
[XS7G12NA140](#) [ZCKE675](#) [XS506BSCAL01M12](#) [XUFZ920](#) [XCMD2110L5](#) [XMLG010D21](#) [XUM9ANCNM8](#) [XUBTAPSNM12](#)
[XU2S18PP340DR](#) [XCSPR553](#) [XCMN21F0L1](#) [ZCMD41L1](#) [9007C52G](#) [9007C54F](#) [XCSMP79L2](#) [XC1ZP4](#) [XU9M18MA230](#)
[XS7C4A1MPG13](#) [ZCKY31](#) [XCKP2545P16](#) [XUB9BPBNL2](#) [XCSDMP7005](#) [XCSDMP50010](#) [XS912R4PAM12](#) [XY2CE1A290](#)
[XMLP010BC71V](#) [XS8C4A1PCP20](#) [XCSD3719G13](#) [XS7C4A1DPG13](#) [XS1M12MA250](#)