



### Main

Product or component type	Radio transmitter
Number of inputs	1 sensor per transmitter

### Complementary

[Us] rated supply voltage	24 V DC 15 mA (-15...20 %)
Contacts type and composition	NO
Discrete input type	NPN or PNP for sensor
Supply voltage limits	20.4...29 V DC
Power consumption in W	0.29 W at 24 V DC
Supply current for sensors	<= 100 mA at 24 V without overload protection (-15...20 %)
Voltage state 1 guaranteed	Input: 20.4...< 24 V
Current state 1 guaranteed	Input: 1.6 mA
Voltage state 0 guaranteed	Input: > 0...7.2 V
Current state 0 guaranteed	Input: <= 1.5 mA
Response time	< 30 ms
Protection type	External fuse, fast blow, 400 mA
Communication port protocol	Zigbee conforming to IEEE 802.15.4
Zigbee profile	Green power
Transmission frequency	<= 0.5 Hz
Maximum sensing distance	25 m in industrial environment 100 m in free field
Local signalling	LED blinking for no data transmission Sensor output: 1 LED green or orange for on/off
Electrical connection	Power supply: 1 male connector M12, 4 Sensor: 1 female connector M12, 5
Marking	CE
Height	65 mm
Depth	23 mm
Width	68 mm
Product weight	0.051 kg

### Environment

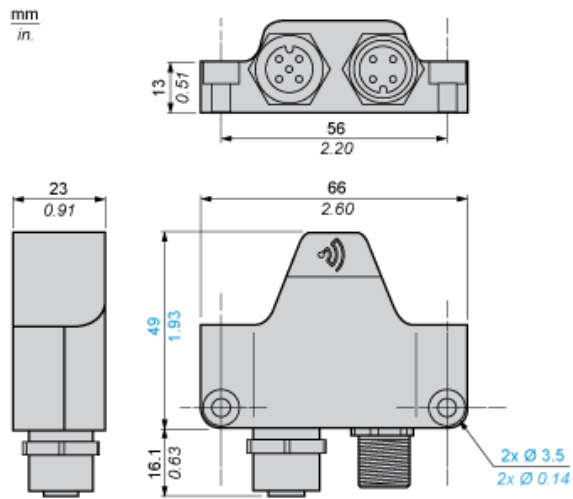
Product certifications	CE
Electromagnetic compatibility	Conducted and radiated emissions: class B conforming to CISPR 22
Ambient air temperature for operation	-25...55 °C
Ambient air temperature for storage	-40...70 °C
Relative humidity	90 % without condensation
IP degree of protection	IP55

Vibration resistance	2 gn (8...150 Hz) conforming to IEC 60068-2-6 +/- 7.5 mm (5...14 Hz) conforming to IEC 60068-2-6
Shock resistance	10 gn with 6000 shocks during 16 ms conforming to IEC 60068-2-27

### Offer Sustainability

Sustainable offer status	Not Green Premium product
RoHS (date code: YYWW)	Compliant - since 1510 - <a href="#">Schneider Electric declaration of conformity</a>

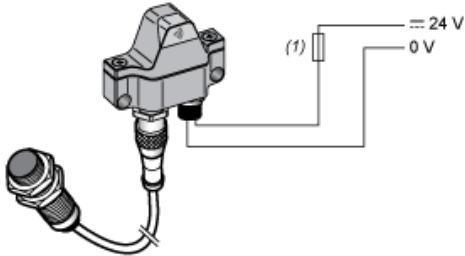
Transmitter Dimensions



---

Transmitter Wiring Diagram

---

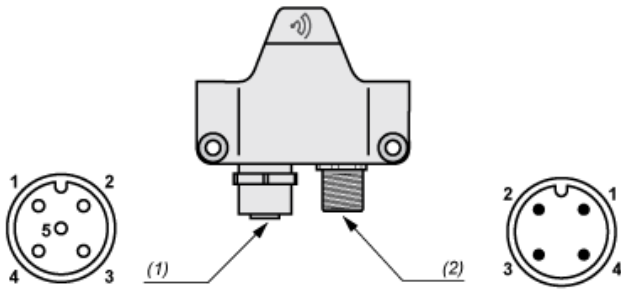


(1) 400 mA fast-blow fuse

---

Transmitter Wiring Diagram

---

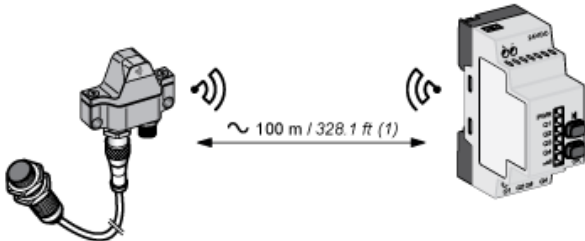


- (1) Socket Sensor Input
- Pin 1 : 24 Vdc (output to sensor)
  - Pin 2 : Not used
  - Pin 3 : 0 Vdc
  - Pin 4 : No NPN or PNP or contact input from the sensor
  - Pin 5 : Not used
- (2) Socket Power Supply (male)
- Pin 1 : 24 Vdc
  - Pin 2 : Not used
  - Pin 3 : 0 Vdc
  - Pin 4 : Not used

---

Unobstructed Mounting

---

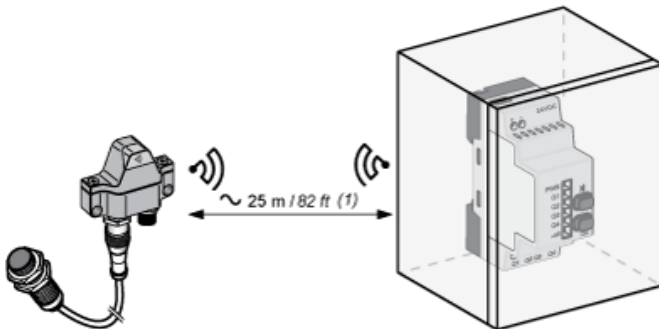


(1) Typical values that may be modified by the application environment.

---

Mounting in a Metal Cabinet

---



(1) Typical values that may be modified by the application environment.

## X-ON Electronics

Largest Supplier of Electrical and Electronic Components

*Click to view similar products for [schneider](#) manufacturer:*

Other Similar products are found below :

[LU9M1](#) [7D](#) [7S](#) [7XA1](#) [FNQR2](#) [8501RS44V24](#) [8501RSD14P14V51](#) [8501XO20V03Y414](#) [9001KXRK](#) [9001SKR9P35RH25](#) [9001SKT35L31](#)  
[9003K2C003GA](#) [9007AA1](#) [9007BA1](#) [9007C54D](#) [9007C62A2](#) [9007CA11](#) [9007FA3](#) [9007HA4](#) [9007HA6](#) [9007KA1](#) [9007KB11](#)  
[9007MS01S0206](#) [9007MS02S0300](#) [9012GAR4](#) [9012GAW2](#) [9012GBW1](#) [9012GDW5E3](#) [9012GFW1](#) [9012GNG1](#) [9012GNG3](#) [9012GNG6](#)  
[9013FHG39J69](#) [9013GHG2J30](#) [9050JCK2F30V14](#) [GV2ME04](#) [GV2ME10](#) [GV2ME14](#) [GV2ME20](#) [GV2ME32](#) [GV2P06](#) [GV2P08](#) [GV2P10](#)  
[GV2P16](#) [GV2P20](#) [GV2P21](#) [GV2RT07](#) [GV2RT21](#) [GVAD1001](#) [GVAN11](#)