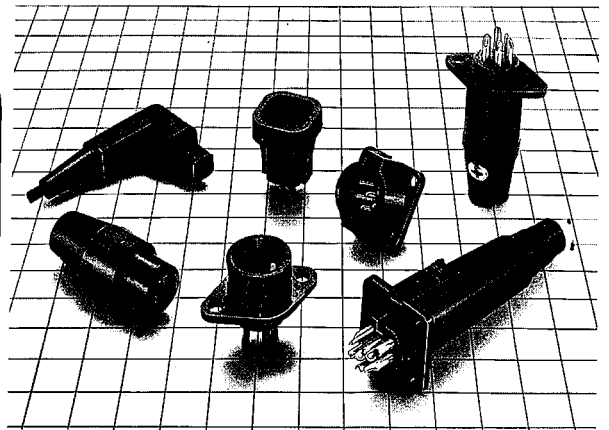


RP SERIES CIRCULAR PLASTIC CONNECTORS

Scope

RP series plastic connectors are developed to meet the demands of low cost and light weight consumer electronic equipment. Its unique one-touch locking mechanism is a push-on system. It offers easy coupling and stable performance.



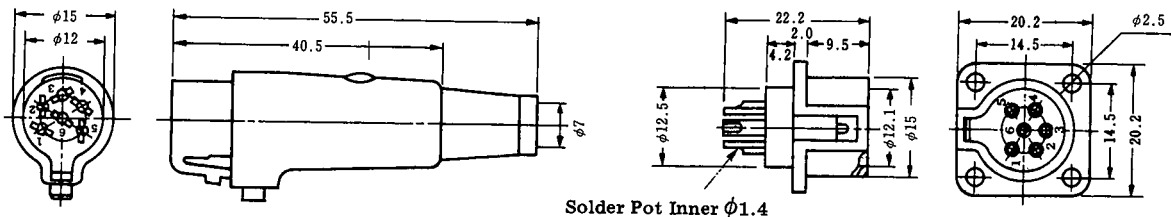
Material and Finish

Description	Material	Finish
Molding and Insulator	Polyamide resin and Polyacetal resin	—
Male pin	Brass	Silver plating
Female pin	Phosphor bronze	Silver plating

Performance

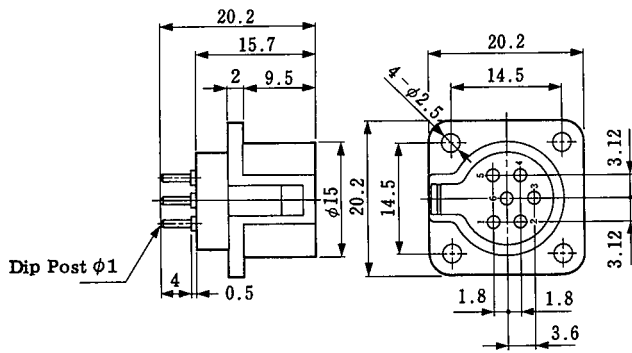
Description	Test data	
	RPC1 · RPC2	RP9
Withstand voltage	AC500V/1 minute	AC300V/1 minute
Current capacity	5A	1A
Insulation resistance	DC500V/1,000M Ω min	DC100V/200M Ω min
Contact resistance	5m Ω max at DC1A	10m Ω max at DC1A

RPC1



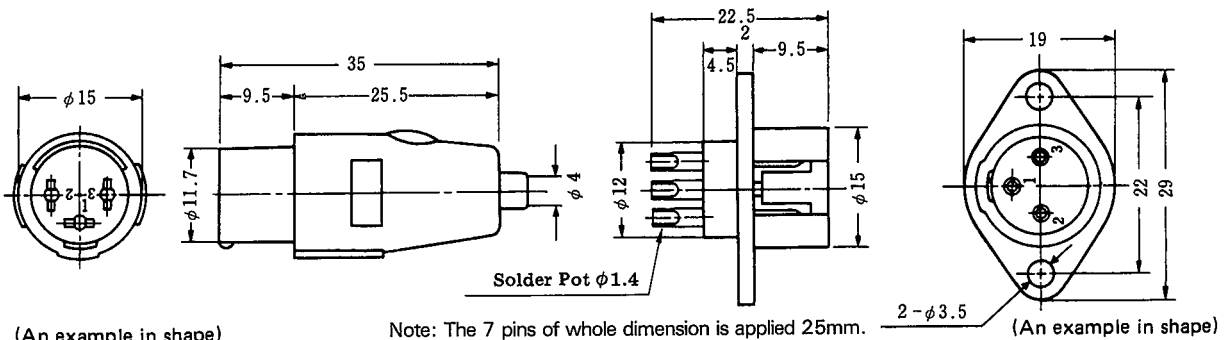
HRS No.	Part No.	No. of pin	Colour
113-0001-8	RPC1-12P-6S	6	Gray
113-0001-8-03	RPC1-12P-6S(03)	6	Black

HRS No.	Part No.	No. of pin	Colour
113-0020-2	RPC1-12RB-6P	6	Black
113-0020-2-01	RPC1-12RB-6P(01)	6	Gray



HRS No.	Part No.	No. of pin	Colour
113-0065-0	RPC1-12RB-6PD	6	Black

■RPC2



(An example in shape)

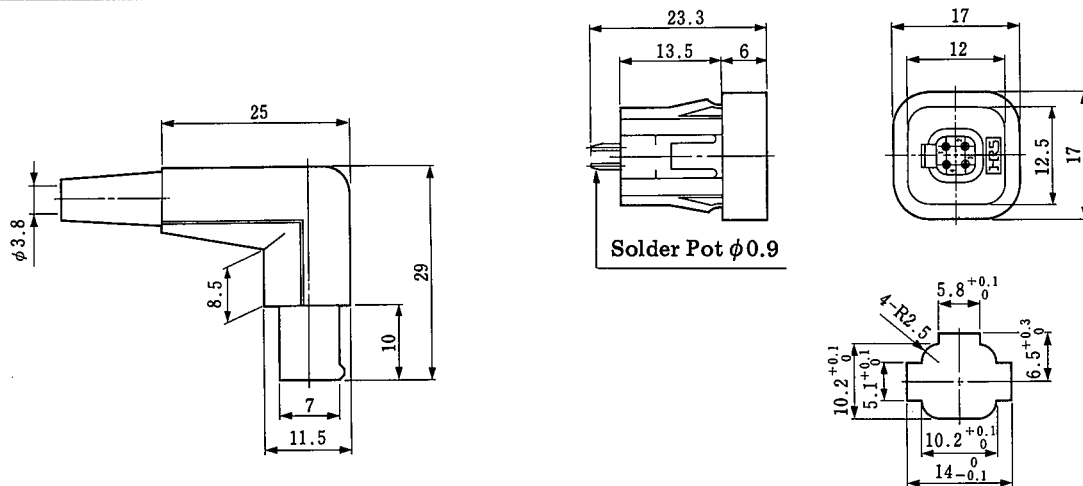
Note: The 7 pins of whole dimension is applied 25mm.

(An example in shape)

HRS No.	Part No.	No. of pin	Colour
113-0003-3	RPC2-12P-3S	3	Blue
113-0015-2	RPC2-12P-7S	7	Blue

HRS No.	Part No.	No. of pin	Colour
113-0023-0-01	RPC2-12RB-3P(01)	3	Blue
113-0024-3-01	RPC2-12RB-7P(01)	7	Blue

■RP9



HRS No.	Part No.	No. of pin	Colour
113-0049-4	RP9-7P-4P	4	Black

HRS No.	Part No.	No. of pin	Colour
113-0050-3	RP9-7R-4S	4	Black

Remark: Applicable panel thickness: 1.6±0.03mm.

X-ON Electronics

Largest Supplier of Electrical and Electronic Components

Click to view similar products for [hirose manufacturer](#):

Other Similar products are found below :

[RM15TPN-10PC\(71\)](#) [SC-1634](#) [MDF7-40DP-2.54DSA\(55\)](#) [FH52E-10S-0.5SH\(99\)](#) [FX2-100S-1.27SVL\(71\)](#) [GT5H-1PP-HU\(10\)](#) [HIF3-TA2022HC](#) [HLS-JJ-1\(40\)](#) [DF13EA-30DP-1.25V\(55\)](#) [DF62W-2EP-2.2C](#) [RM15TJD-12S\(71\)](#) [RM15WTPZ-3S\(71\)](#) [RM21TP-20P\(71\)](#) [MRF18-8P-178BU](#) [MS-156R-NJ-1](#) [DX30AM-100P](#) [HR10A-10R-10SB\(72\)](#) [HR10A-7J-4S\(73\)](#) [HR10G-10R-12S\(71\)](#) [HR212-10P-8P\(72\)](#) [HR25-7TP-8P\(73\)](#) [HR25-9TR-12P\(71\)](#) [HR25A-7J-4P](#) [HR30-7P-C\(71\)](#) [HRM-513S](#) [HRMJ-W.FLP\(40\)](#) [JR21PK-10P\(71\)](#) [AP105-DF11-2428S\(63\)](#) [FX2C2-68S-1.27DSAL\(71\)](#) [PO51-LR-PC-1\(40\)](#) [HIF6-68D-1.27R\(20\)](#) [HOS-7](#) [HR10A-10TR-12S\(73\)](#) [HR10A-10WTR-12P\(74\)](#) [HR10A-13TPD-20P\(73\)](#) [HR10G-7R-6S\(73\)](#) [HR25A-7R-8P](#) [U.FL-LP\(V\)-04N1-A-\(500\)](#) [LF13WBP-20S](#) [DF3EA-2P-2V\(50\)](#) [U.FL-2LP-068N1-A-\(50\)](#) [U.FL-2LP-062N1D-A-\(100\)](#) [A4B-13PA-2DS\(71\)](#) [QR/P-12S-C\(51\)](#) [JR25WCC-16\(71\)](#) [CM-105\(92\)](#) [LF07BJ-T01](#) [LF13BJ-T01](#) [HT802/HR41A-11-18](#) [HT802/DF64-1822P](#)