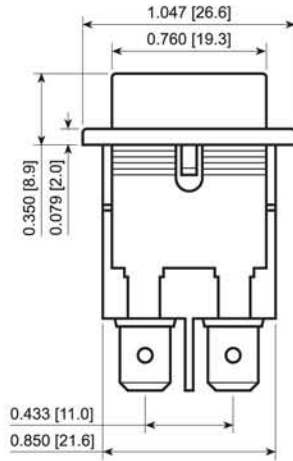
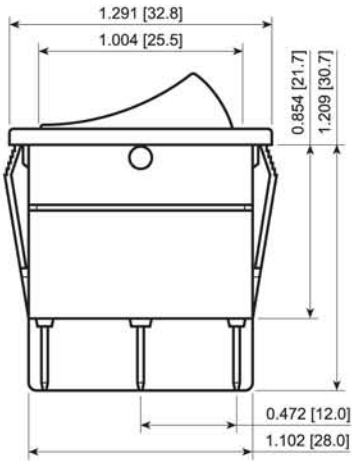
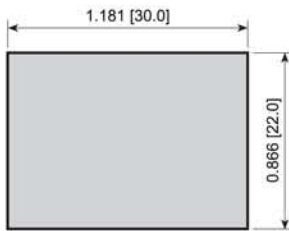


# WB2 Series



## Panel Cutout



## FEATURES:

- High Ratings with UL and TUV Approvals
- Industry Standard 22mm x 30mm Cutout
- Internal Dust and Water Protection to IP55

## SPECIFICATIONS:

**RATING: Maintained**  
 20A, 125/250VAC T65/T85 [cURus]  
 2.0HP, 125/250VAC [cURus]  
 18(12)A, 250VAC 5E4 T85 [TUV]

**Momentary**  
 20A, 125/250VAC T65/T85 [cURus]  
 1.5HP, 125/250VAC [cURus]  
 18(10)A, 250VAC 5E4 T85 [TUV]

TEMPERATURE: -20°C to 65°C Min.  
 CONTACT RESISTANCE: 50mΩ Max.  
 INSULATION RESISTANCE: 500MΩ Min. at 500VDC  
 DIELECTRIC STRENGTH: 1,500VAC for 1 Minute  
 INGRESS PROTECTION: IP55 Standard

## MATERIALS:

Body: Polyamide 6/6  
 ACTUATOR: Polyamide 6/6  
 MOUNTING EARS: Polyamide 6/6  
 RUBBER SEAL: Ethylene Propylene  
 CONTACTS: Silver Alloy  
 TERMINALS: Silver Plated Brass



WB242D1121



WB246D1100

SPECIFICATIONS SUBJECT TO CHANGE WITHOUT NOTICE

Series	Terminal	Function	Rating	Body Color	Actuator Color	Marking Color	Marking Type
WB2	4 - 6.3mm Tabs	1 Pole: D - (On)-Off-(On)  2 Pole: 2 - Off-On G - On-On E - Off-(On) H - On-(On) 6 - On-Off-On K - (On)-Off-(On)	D - 20A 125VAC	1 - Black 2 - White	1 - Black 2 - White 9 - Red	0 - None 1 - Black 2 - White	0 - None 1 - I/O Vert. 2 - ON/OFF/ON Vert. 3 - ON/OFF Vert. 4 - ON/OFF Horiz. 9 - I/O/II Horiz. S - I/O/II Vert. R - I/O Horiz.

Custom Colors and Markings Available Upon Request

## EXAMPLE PART NUMBERS:

WB242D1100	2P Off-On Black Body/Actuator, No Marking
WB242D1121	2P Off-On Black Body/Actuator, I/O Vert.
WB246D1100	2P On-Off-On Black Body/Actuator, No Marking
WB246D112S	2P On-Off-On Black Body/Actuator, I/O/II Vert.
WB24ED1121	2P Off-(On) Black Body/Actuator, No Marking
WB24GD1100	2P On-On Black Body/Actuator, No Marking
WB24KD1100	2P (On)-Off-(On) Black Body/Actuator, No Marking



E-SWITCH®

www.e-switch.com

800.867.2717

ROCKER

## X-ON Electronics

Largest Supplier of Electrical and Electronic Components

*Click to view similar products for [Rocker Switches](#) category:*

*Click to view products by [E-Switch](#) manufacturer:*

Other Similar products are found below :

[VKD2GHNB-00000-000](#) [VSD2GNNB-00000-000](#) [6-1571986-5](#) [6-1571986-9](#) [7036WWCDBX653+U622](#) [8055K52Z7V](#) [8138K20E6M50](#)  
[FMC18A2200002](#) [84206L](#) [84312LX](#) [PREDD4-07F-BB0FW](#) [PREDD5-07F-BB0GW](#) [PRFDD1-16F-BB000](#) [PRFDD3-16F-BB000](#) [1-](#)  
[1634201-0](#) [999-16702-001](#) [A101J2ZQ004](#) [A101J4ZQ004](#) [A101J51CB0004](#) [A107J51ZQ0004](#) [A201J1AQ004](#) [A201J1AV2Q004](#)  
[A201J3ZB004](#) [A201J50ZQ004](#) [A203J51ZQ0004](#) [A226L11YZQ](#) [A22L11A](#) [A435S1YZQ](#) [H8500XBBBBL-A](#) [H8653VBBG2577W](#)  
[HB130CHNWWNAAC](#) [1251.0303](#) [AE205J60V3B004](#) [RH110C2NBB](#) [1352.0107](#) [1363.0201](#) [AML25GBF2AA03GR](#) [1571099-3](#) [1571987-4](#)  
[1571987-5](#) [1571989-7](#) [B123J77V7B2](#) [B226J50W4Q22P](#) [B433J37ZQ22M](#) [160212E](#) [1801.1164](#) [1831.1102](#) [1833.3402](#) [1837.1118](#) [1838.8302](#)