

90SMX & 91SMX Crystals

ISSUE 7; 24 SEPTEMBER 2004

Delivery Options

- Please contact our sales office for current leadtimes

Holder Style

- 90SMX & 91SMX surface mount crystals are plastic encapsulated

General Specifications

- Load Capacitance (C_L): 6pF and 12.5pF standard
- Drive Level: 1.0µW max

Packaging

- 90SMX & 91SMX surface mount crystals are available packaged individually or on tape and reel

Standard Frequency Tolerance

- ±20ppm

Operating Temperature Ranges

- 0 to 50°C -30 to 80°C
- 10 to 60°C -40 to 90°C
- 20 to 70°C

Storage Temperature Range

- -55 to 125°C

Solder Condition

- For typical soldering conditions, please see the relevant page in Application Notes

Marking

- Frequency Indicator + Date Code

Marking Explanation

Example: 32K152B

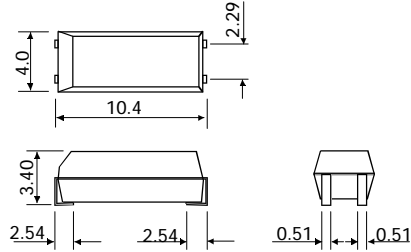
The 32K is a code indicating frequency, in this case 32.768kHz

The 152 is the date code in YWW, ie.2001 wk 52

The letter on the end indicies: A for 90SMX, B for 91SMX

Note, if the letter is at the end of the crystal then it is 12.5pF loaded. If it appears after the 32K as 32KA152, then the crystal is 6pF loaded. This is the same for both 90SMX and 91SMX.

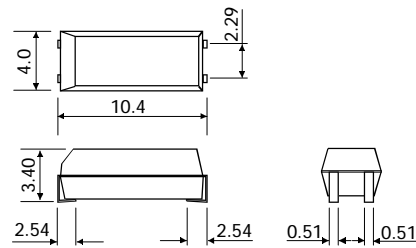
Outline in mm - 90SMX



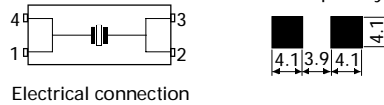
Solder pad layout



Outline in mm - 91SMX



Solder pad layout

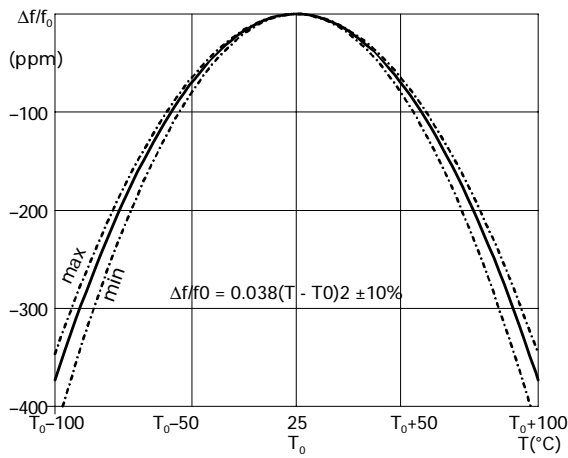


Electrical Specification - maximum limiting values

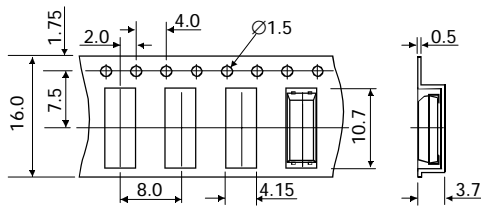
Frequency Range	Frequency Tolerance @ 25°C ±2°C	Operating Temperature Range	Frequency Stability Available Over Operating Temperature		ESR max.	Vibration Mode
32.7680kHz	±10ppm to ±100ppm	0 to 50°C	-25ppm	-100ppm	60kΩ	Fundamental AT cut
		-10 to 60°C	-50ppm	-100ppm		
		-20 to 70°C	-85ppm	-100ppm		
		-30 to 80°C	-150ppm	-300ppm		
		-40 to 90°C	-180ppm	-500ppm		

SURFACE MOUNT QUARTZ CRYSTALS

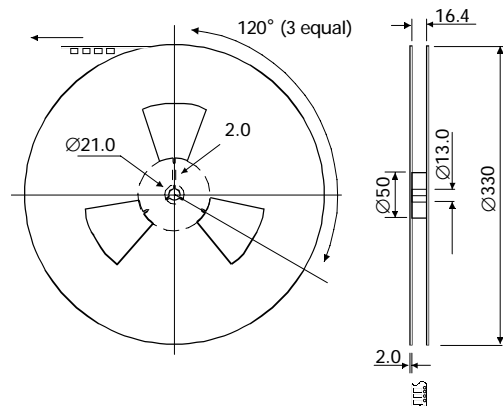
Frequency Temperature Curve



Outline in mm - Tape



Outline in mm - Reel



X-ON Electronics

Largest Supplier of Electrical and Electronic Components

Click to view similar products for [iqd manufacturer](#):

Other Similar products are found below :

[LFXTAL071761CUTT](#) [LFMCXO063767BULK](#) [LFMCXO063773BULK](#) [LFOCXO063802BULK](#) [LFOCXO063809BULK](#) [LF SPXO025166](#)
[LFSPXO025820BULK](#) [LFSPXO025917](#) [LFTCXO063709BULK](#) [LFTCXO063710BULK](#) [LFTCXO063779BULK](#) [LFTCXO070028Cutt](#)
[LFTVXO063701BULK](#) [LFTVXO063702BULK](#) [LFTVXO063703BULK](#) [LFTVXO063707BULK](#) [LFTVXO063791BULK](#) [LF XTAL003156](#)
[LFMCXO063766BULK](#) [LFMCXO063771BULK](#) [LFOCXO063816BULK](#) [LF SPXO009441](#) [LF SPXO018545](#) [LFSPXO019242BULK](#) [LF](#)
[SPXO025559](#) [LFTCXO063713BULK](#) [LFTCXO063714BULK](#) [LFTCXO063716BULK](#) [LFTVXO063704BULK](#) [LFTVXO063705BULK](#)
[LFTVXO063706BULK](#) [LFTVXO063789BULK](#) [LFTVXO063790BULK](#) [LFOCXO063809](#) [CFPS-73-48M](#) [LFSPXO009581](#) [LFTCXO063784](#)
[LFTVXO063786](#) [LFSPXO009686Bulk](#) [LFRBXO059244Bulk](#) [LFTVXO075802Cutt](#) [LFOCXO067293Bulk](#) [LFTCXO075792Cutt](#)
[LFMCXO064079BULK](#) [LFSPXO071189](#) [LFOCXO067293](#) [LFTCXO063780BULK](#) [LFSPXO056269CUTT](#) [LFOCXO063803BULK](#)
[LFSPXO009592CUTT](#)