

# i-View 504 LED Lighting System



## INTRODUCTION

Wamco i-View 504 is an LED lighting system designed for niche indoor lighting applications. It is a perfect solution for manufacturing work center lighting. i-View 504 has much lower power consumption (approximately 48W including integrated power supply) than conventional 150W HQI lamp and Halogen lighting fixtures. i-View 504 provides many advantages including brilliant light output, significant energy cost saving and reduced maintenance costs.



## FEATURES

- Energy efficient (up to 75% energy saving)
- Low power consumption (~48W)
- Available in Natural White: 5000K and Warm White: 3000K
- Integrated dimmer
- 2.9m power cable with NEMA 5-15P plug
- Long service life (> 50,000 hours L70)
- 3 year warranty

## APPLICATIONS

- Indoor area lighting
- Task lighting for work centers

## CERTIFICATIONS

- CE



## SPECIFICATIONS

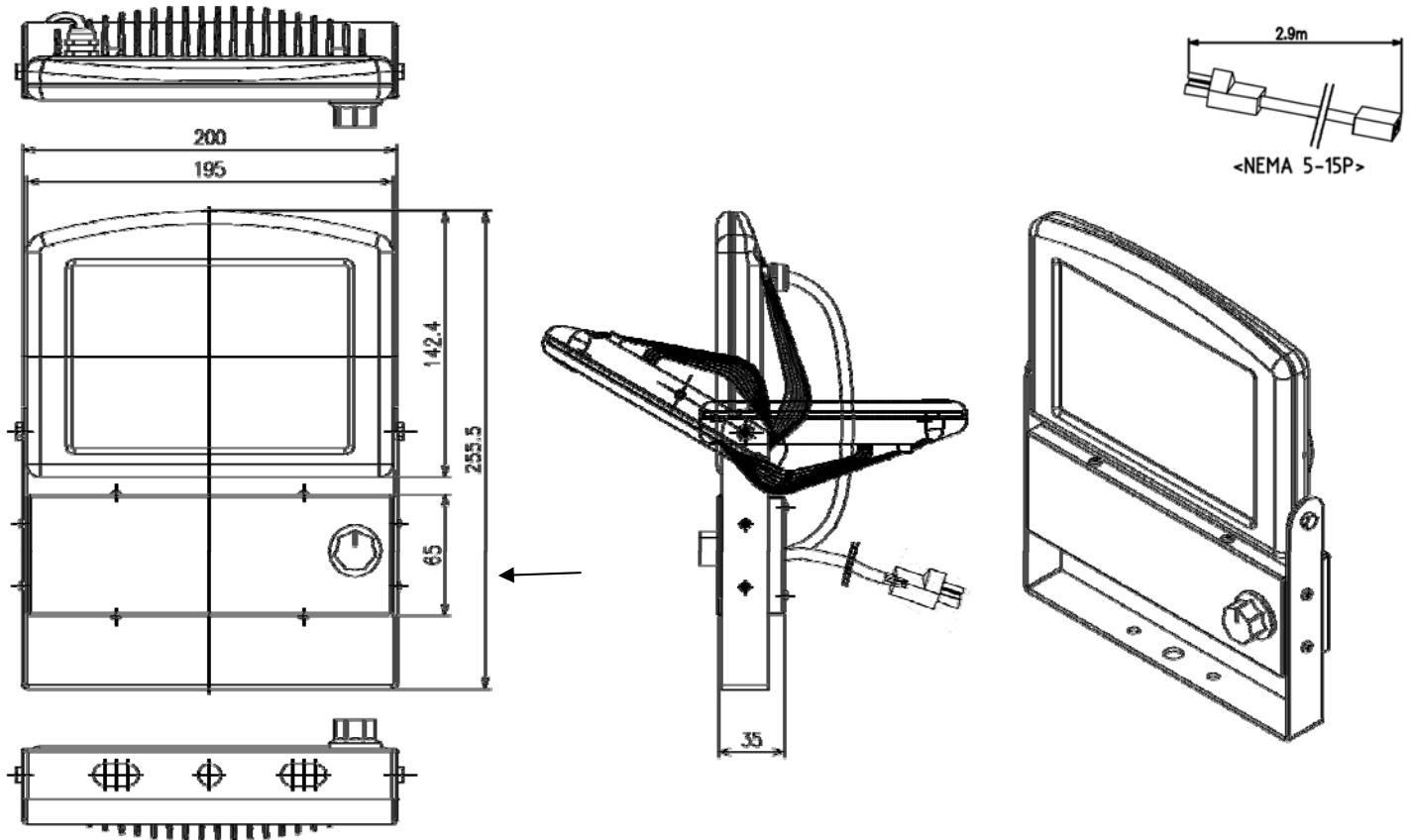
Model	Model No.	Input Vol.	Power Cons.	CCT	Beam Angle	Lum. Flux
i-View 504 Natural White	WL-B504040W04V	120~277VAC	48W	5000K	110°	4800 Lm
i-View 504 Warm White	WL-B504040L04V	120~277VAC	48W	3000K	110°	4300 Lm

- Operating Temp.: -20°C ~ +50°C

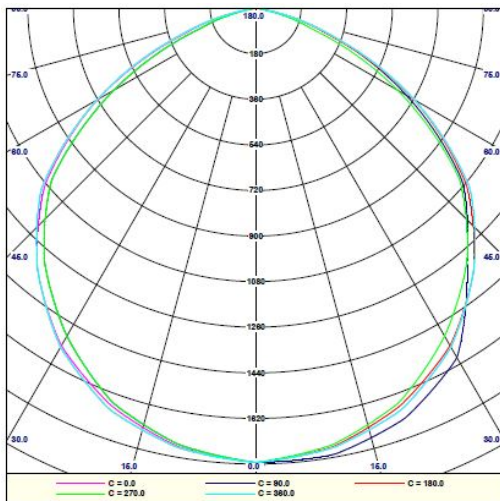
# i-View 504 LED Lighting System



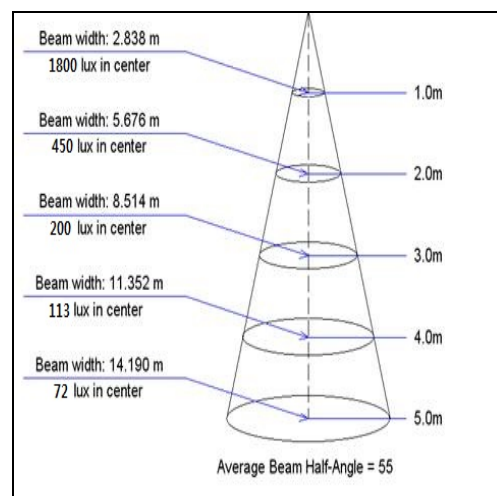
## PHYSICAL SPECIFICATION (Unit: mm)



## LIGHT DISTRIBUTION



i-Vew504



i-View 504 White (5000K)

CALL  
1-714-545-5560

FAX  
1-714-545-6093

VISIT  
W: [WWW.WAMCOINC.COM](http://WWW.WAMCOINC.COM)

EMAIL  
E: [INFO@WAMCOINC.COM](mailto:INFO@WAMCOINC.COM)

## X-ON Electronics

Largest Supplier of Electrical and Electronic Components

*Click to view similar products for [wamco manufacturer](#):*

Other Similar products are found below :

[WL-2195A5-28V](#) [WL-19041351](#) [WL-B05I03L0300](#) [WL-1090D1-12V](#) [WL-1061QC1](#) [WL-192A1250](#) [WL-2153A5](#) [WL-19012353](#) [WL-19010351](#) [WL-19210250](#) [WL-19091352](#) [WL-19040352](#) [WL-19040252](#) [WL-1090QC4-28V](#) [WL-19050352](#) [WL-1090QC3-28V](#) [WL-B05G10F0900](#) [WL-6091QM5-24V](#) [WL-19040257](#) [WL-19210350](#) [WL-19080255](#) [WL-192A0351](#) [WL-1090A1-28V](#) [WL-192A1350](#) [WL-19210251](#) [WL-19040451](#) [WL-19040353](#) [WL-19011352](#) [WL-19081350](#) [WL-192A0350](#) [WL-19040357](#) [WL-19050257](#) [WL-1062C1](#) [WL-1090A5-12V](#) [WL-19090350](#) [WL-1860235W3D](#) [WL-1051QC1](#) [WL-1052QC5](#) [WL-6391Q2D5-24V](#) [WL-2151A1](#) [WL-19090252](#) [WL-1032D5](#) [WL-192A1251](#) [WL-2191U5-12V](#) [WL-2152A5](#) [WL-19090355](#) [WL-6391Q2M3-12V](#) [WL-1060QC5](#) [WL-2150A3](#) [WL-19210351](#)