

i-View 501 – LED Lighting System



INTRODUCTION

Wamco i-View 501 is an LED lighting system designed for small and medium sized billboards or traffic signs as well as a wall washing of buildings, bridges, sculptures, etc. i-View 501 has much lower power consumption (around 40W including DC power supply) than conventional 150W HQI lamp and Halogen lighting fixtures. i-View 501 provides many advantages including brilliant light output, significant energy cost saving and reduced maintenance costs.



FEATURES

- Energy efficient (up to 75% energy saving compared to 150W HQI or halogen lamps)
- 35W (around 40W including DC power supply) power consumption
- Available in White: 6500K and Warm White: 3300K
- Long service life (up to 40,000 hours)
- Water resistant (outdoor use, **IP65**)
- 3 year warranty



APPLICATIONS

- Lighting for small and medium sized billboards and traffic signs
- Wall washing (buildings, bridges, etc)

CERTIFICATIONS

- CE



SPECIFICATIONS

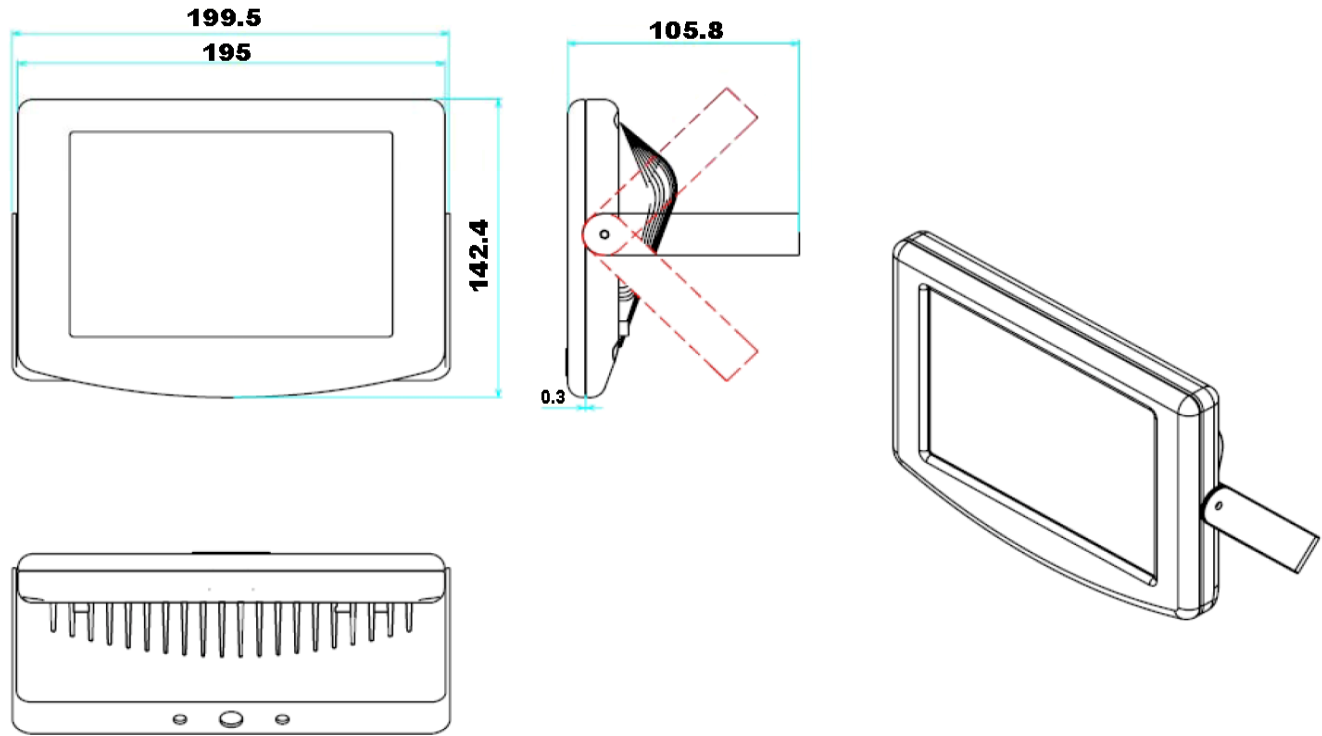
Model	Model No.	Input Vol.	Power Cons.	CCT	Beam Angle	Lum. Flux
i-View 501 White	WL-B501035W04	24VDC	35W	6500K	110°	2350 lm
i-View 501 Warm White	WL-B501035L04	24VDC	35W	3300K	110°	2300 lm

- Operating Temp.: -20°C ~ +60°C

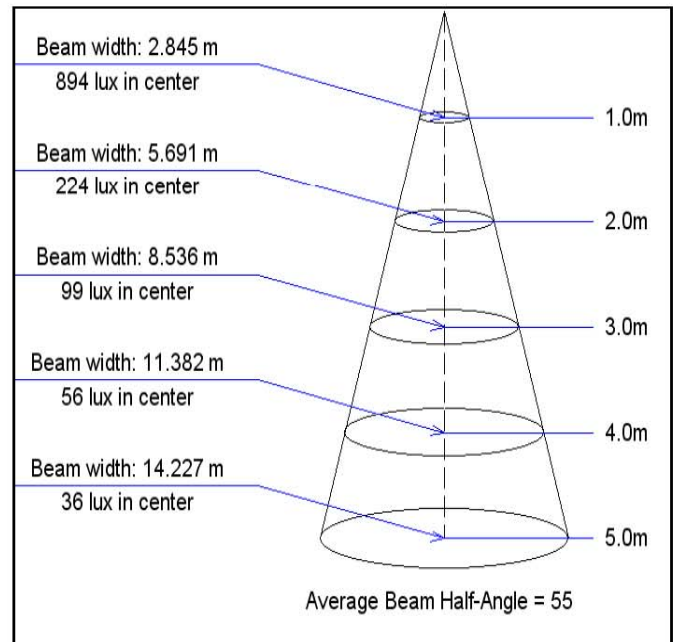
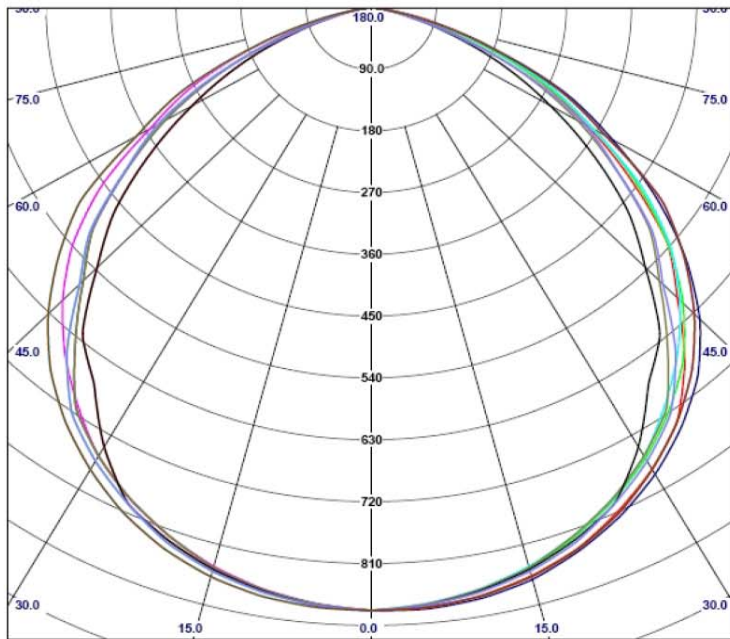
i-View 501 – LED Lighting System



PHYSICAL SPECIFICATION (Unit: mm)



LIGHT DISTRIBUTION

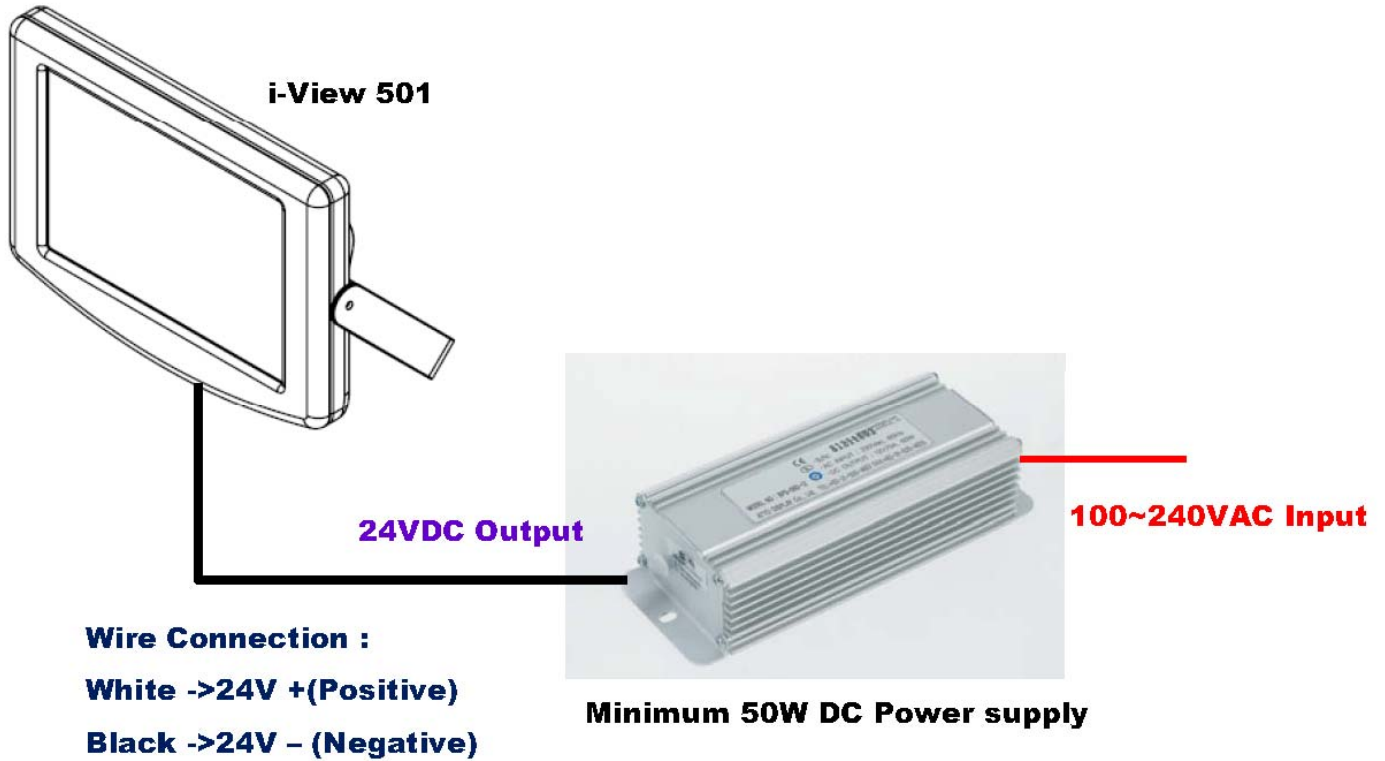


i-View 501 White (6500K)

i-View 501 – LED Lighting System



INSTALLATION



X-ON Electronics

Largest Supplier of Electrical and Electronic Components

Click to view similar products for [wamco manufacturer](#):

Other Similar products are found below :

[WL-2195A5-28V](#) [WL-19041351](#) [WL-B05I03L0300](#) [WL-1090D1-12V](#) [WL-1061QC1](#) [WL-192A1250](#) [WL-2153A5](#) [WL-19012353](#) [WL-19010351](#) [WL-19210250](#) [WL-19091352](#) [WL-19040352](#) [WL-19040252](#) [WL-1090QC4-28V](#) [WL-19050352](#) [WL-1090QC3-28V](#) [WL-B05G10F0900](#) [WL-6091QM5-24V](#) [WL-19040257](#) [WL-19210350](#) [WL-19080255](#) [WL-192A0351](#) [WL-1090A1-28V](#) [WL-192A1350](#) [WL-19210251](#) [WL-19040451](#) [WL-19040353](#) [WL-19011352](#) [WL-19081350](#) [WL-192A0350](#) [WL-19040357](#) [WL-19050257](#) [WL-1062C1](#) [WL-1090A5-12V](#) [WL-19090350](#) [WL-1860235W3D](#) [WL-1051QC1](#) [WL-1052QC5](#) [WL-6391Q2D5-24V](#) [WL-2151A1](#) [WL-19090252](#) [WL-1032D5](#) [WL-192A1251](#) [WL-2191U5-12V](#) [WL-2152A5](#) [WL-19090355](#) [WL-6391Q2M3-12V](#) [WL-1060QC5](#) [WL-2150A3](#) [WL-19210351](#)