



Photoelectric sensors  
W8G, Photoelectric retro-reflective sensor,  
autocollimation

WL8G-P2231



**Model Name** > [WL8G-P2231](#)  
**Part No.** > [6033188](#)



*Illustration may differ*

#### At a glance

- Autocollimation
- Standard miniature housing with M3 threaded mounting holes
- Light/dark switching selectable via rotary switch
- Adjustable sensing range
- All necessary accessories (BEF-W100-A and P250) are included with delivery

#### Your benefits

- Reliable object detection of transparent objects even at the shortest distances (no blind spot) or through narrow gaps
- Highly visible light spot makes alignment quick and easy
- Reliable detection of all materials, including small and/or transparent objects, min. attenuation 15 %
- All necessary accessories (bracket and reflector) are included with delivery, reducing installation and procurement costs
- M3 mounting hole provides quick installation

#### Features

Sensor/detection principle:	Photoelectric retro-reflective sensor, autocollimation
Dimensions (W x H x D):	11 mm x 31 mm x 20 mm
Housing design (light emission):	Rectangular, Slim
Sensing range max.:	0 m ... 3 m <sup>1)</sup>
Sensing range:	0 ... 1.7 m <sup>2)</sup>
Type of light:	Visible red light
Light source:	LED <sup>3)</sup>
Wave length:	650 nm
Alarm output:	-
Focus adjustable:	-
Adjustment:	Potentiometer, 270°
Light spot size (distance):	Ø 70 mm (2 m)

1) 2) PL80A 3) Average service life of 100,000 h at  $T_A = +25\text{ °C}$

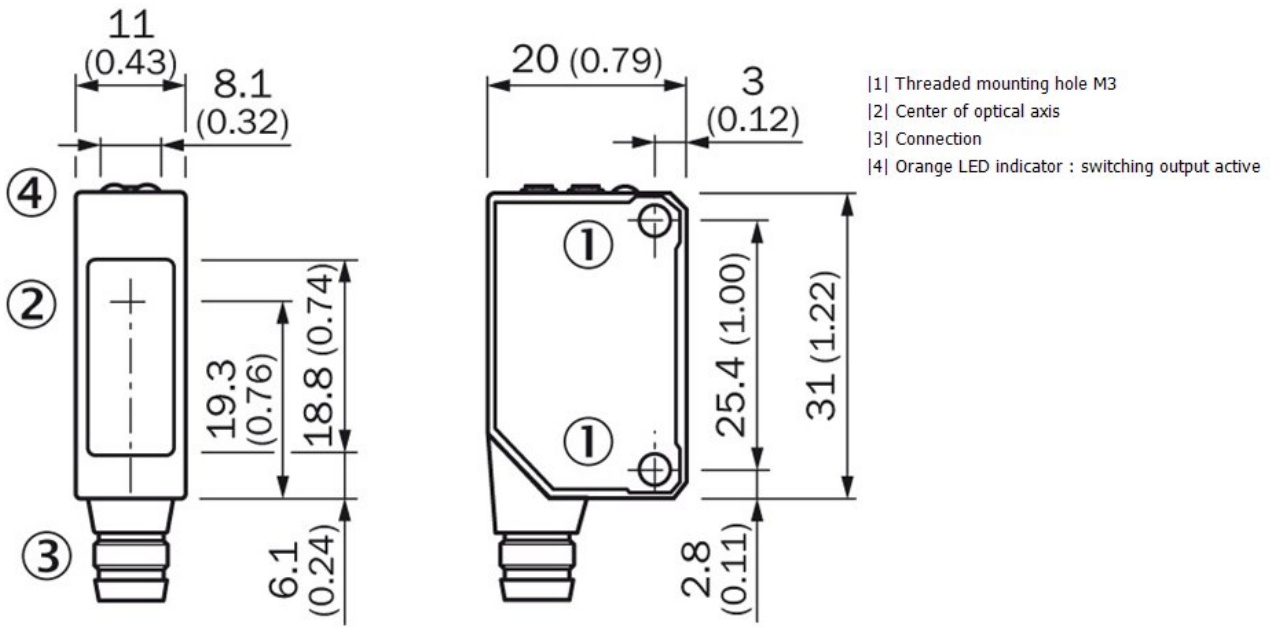
## Mechanics/electronics

---

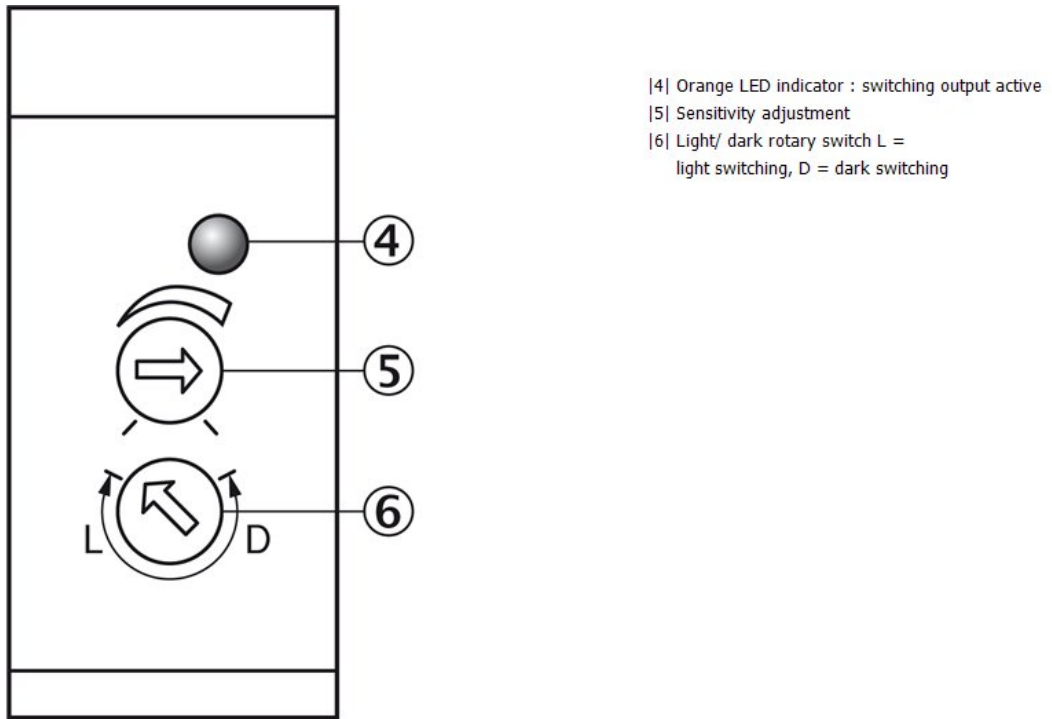
Supply voltage:	10 V DC ... 30 V DC <sup>1)</sup>
Ripple:	$\pm 10\%$ <sup>2)</sup>
Power consumption:	$\leq 30\text{ mA}$ <sup>3)</sup>
Switching output:	PNP
Switching output:	Light/dark-switching
Output characteristic:	Open collector
Switching mode selector:	Manually selectable
Signal voltage PNP HIGH/LOW:	Approx. $V_S - 1.8\text{ V}/0\text{ V}$
Output current $I_{max}$ :	100
Response time:	$\leq 0.5\text{ ms}$ <sup>4)</sup>
Switching frequency:	1,000 <sup>5)</sup>
Attenuation along light beam:	$\leq 20\%$
Connection type:	Connector M8, 4-pin
Circuit protection:::	A, B, D <sup>6) 7) 8)</sup>
Weight:	10 g
Polarisation filter:	✓
Front screen heating:	-
AS-Interface-Chip:	-
Housing material:	ABS, Plastic
Optics material:	PMMA
Enclosure rating:	IP 67
Items supplied:	Stainless steel mounting bracket (1.4301/304) BEF-W100-A, Reflector P250F
Special feature:	For transparent objects
Ambient operating temperature:	$-25\text{ °C} \dots 55\text{ °C}$
Ambient storage temperature:	$-40\text{ °C} \dots 70\text{ °C}$

<sup>1)</sup> Limit values, operation in short-circuit protected network max. 8 A <sup>2)</sup> May not exceed or fall short of  $V_S$  tolerances <sup>3)</sup> Without load <sup>4)</sup> Signal transit time with resistive load <sup>5)</sup> With light/dark ratio 1:1 <sup>6)</sup> A =  $V_S$  connections reverse-polarity protected <sup>7)</sup> B = inputs and output reverse-polarity protected <sup>8)</sup> D = outputs overcurrent and short-circuit protected

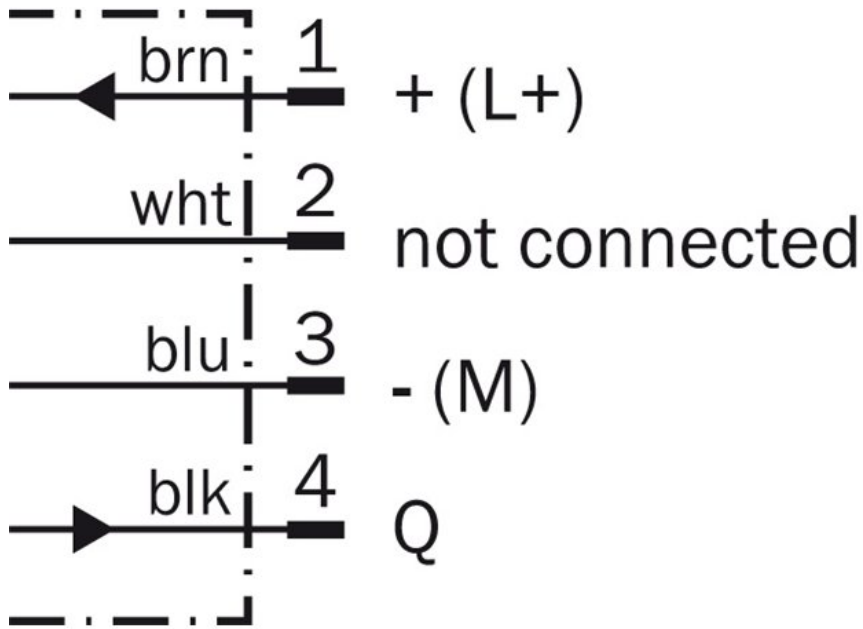
**Dimensional drawing**



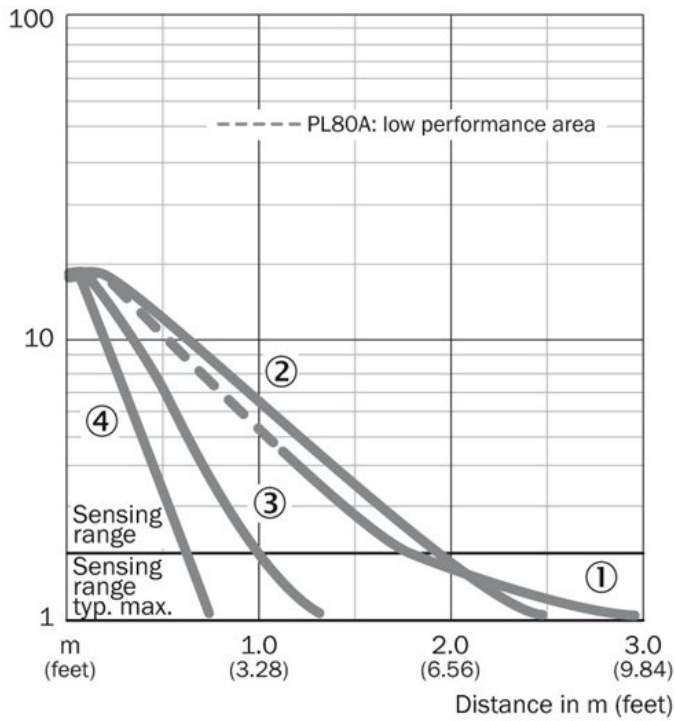
**Adjustments possible**



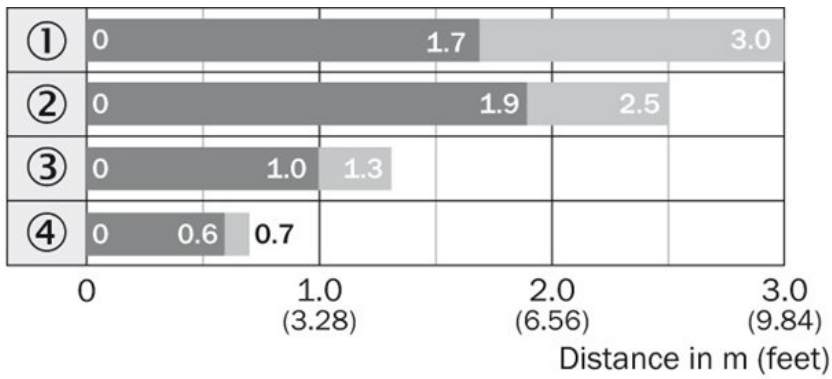
### Connection diagram



### Characteristic curve



## Sensing range diagram



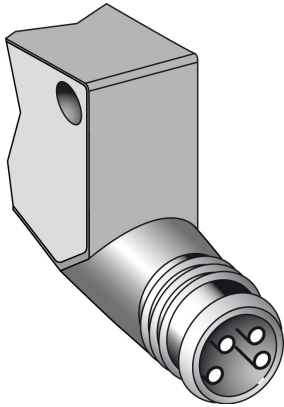
■ Sensing range

■ Sensing range typ. max.

## Reflector type

- ① PL80A
- ② P250F
- ③ PL20A
- ④ PL10F

## Connection type



**Australia**

Phone +61 3 9457 0600  
1800 334 802 – tollfree  
E-Mail sales@sick.com.au

**Belgium/Luxembourg**

Phone +32 (0)2 466 55 66  
E-Mail info@sick.be

**Brasil**

Phone +55 11 3215-4900  
E-Mail sac@sick.com.br

**Canada**

Phone +1(952) 941-6780  
1 800-325-7425 – tollfree  
E-Mail info@sickusa.com

**Ceská Republika**

Phone +420 2 57 91 18 50  
E-Mail sick@sick.cz

**China**

Phone +86 4000 121 000  
E-Mail info.china@sick.net.cn  
Phone +852-2153 6300  
E-Mail ghk@sick.com.hk

**Danmark**

Phone +45 45 82 64 00  
E-Mail sick@sick.dk

**Deutschland**

Phone +49 211 5301-301  
E-Mail kundenservice@sick.de

**España**

Phone +34 93 480 31 00  
E-Mail info@sick.es

**France**

Phone +33 1 64 62 35 00  
E-Mail info@sick.fr

**Great Britain**

Phone +44 (0)1727 831121  
E-Mail info@sick.co.uk

**India**

Phone +91-22-4033 8333  
E-Mail info@sick-india.com

**Israel**

Phone +972-4-6801000  
E-Mail info@sick-sensors.com

**Italia**

Phone +39 02 27 43 41  
E-Mail info@sick.it

**Japan**

Phone +81 (0)3 3358 1341  
E-Mail support@sick.jp

**Magyarország**

Phone +36 1 371 2680  
E-Mail office@sick.hu

**Nederlands**

Phone +31 (0)30 229 25 44  
E-Mail info@sick.nl

**Norge**

Phone +47 67 81 50 00  
E-Mail austefjord@sick.no

**Österreich**

Phone +43 (0)22 36 62 28 8-0  
E-Mail office@sick.at

**Polska**

Phone +48 22 837 40 50  
E-Mail info@sick.pl

**România**

Phone +40 356 171 120  
E-Mail office@sick.ro

**Russia**

Phone +7-495-775-05-30  
E-Mail info@sick.ru

**Schweiz**

Phone +41 41 619 29 39  
E-Mail contact@sick.ch

**Singapore**

Phone +65 6744 3732  
E-Mail admin@sicksgp.com.sg

**Slovenija**

Phone +386 (0)1-47 69 990  
E-Mail office@sick.si

**South Africa**

Phone +27 11 472 3733  
E-Mail info@sickautomation.co.za

**South Korea**

Phone +82 2 786 6321/4  
E-Mail info@sickkorea.net

**Suomi**

Phone +358-9-25 15 800  
E-Mail sick@sick.fi

**Sverige**

Phone +46 10 110 10 00  
E-Mail info@sick.se

**Taiwan**

Phone +886-2-2375-6288  
E-Mail sales@sick.com.tw

**Türkiye**

Phone +90 (216) 528 50 00  
E-Mail info@sick.com.tr

**United Arab Emirates**

Phone +971 (0) 4 8865 878  
E-Mail info@sick.ae

**USA/México**

Phone +1(952) 941-6780  
1 800-325-7425 – tollfree  
E-Mail info@sickusa.com

More representatives and agencies  
at [www.sick.com](http://www.sick.com)

## X-ON Electronics

Largest Supplier of Electrical and Electronic Components

*Click to view similar products for [sick manufacturer](#):*

Other Similar products are found below :

[6-020-768](#) [PL20A](#) [GRL18-P2437](#) [GRSE18-P2422](#) [IM05-0B8NS-ZT1](#) [IM08-02BPS-ZWK](#) [IM08-1B5PS-ZT1](#) [IME18-05BPSZW2K](#) [IME18-12NPSZC0K](#) [KT6W-2P5116](#) [GRSE18-P2447](#) [GRTE18-P2412](#) [GRTE18-P2442](#) [IM30-15NPS-ZW1](#) [IME12-04NPSZW2K](#) [IME12-08NPSZW2S](#) [KTM-MB31111P](#) [VTE18-4N2212](#) [VTE18-4P8740](#) [LL3-TB01](#) [MZT8-28VPS-KP0](#) [WL11-2P2430](#) [WLL180T-P434](#) [WL260-R270](#) [VTF18-4P1612](#) [VTF-18-4N1240](#) [VL180-2P42436](#) [WTE280-2P1131](#) [WTE11-2P2432](#) [CM30-25NNP-EC1](#) [CM18-08BNP-EW1](#) [CM18-08BPP-EW1](#) [CM18-12NNP-EC1](#) [CM18-12NPP-EW1](#) [CM30-16BPP-EC1](#) [CM30-25NPP-EW1](#) [E100-A2A22C05A](#) [GRL18-P1137](#) [KUP-0608-S](#) [KUP-0610-F](#) [MM12-60APS-ZUK](#) [DFS60B-S1PA10000](#) [GRL18-P1132](#) [WL150-P430](#) [WSE11-2N2430](#) [WSE4-3P2230](#) [WL2SG-2F3235](#) [IQ40-40NPPKC0K](#) [IQ40-20BPPKC0K](#) [IMB30-20NPPVC0S](#)