



Photoelectric sensors
W34, Photoelectric retro-reflective sensor,
Standard optics

WL34-V240



Model Name > [WL34-V240](#)
Part No. > [1019244](#)



Illustration may differ

At a glance

- High operating reserve at a long range
- Switch selectable PNP or NPN output and light/dark switching
- Versions with DC voltage (10...30V) or universal AC/DC voltage (12 ... 240 V DC / 24 ... 240 V AC)
- Optional test input, adjustable ON and OFF time delays, alarm output
- M12 or terminal chamber connection: 90° rotatable
- UL approval

Your benefits

- High operating reserve at a long range minimizes downtime
- Alarm output provides early warning that maintenance may be needed
- Test input allows users to validate that the sensor is operating as expected
- The sensor cover protects configuration components against environmental hazards
- Adjustable time delay, alarm output, test input, and universal AC/DC voltage provide additional flexibility and reduce the number of part numbers needed



Features

Sensor/detection principle:	Photoelectric retro-reflective sensor, Standard optics
Dimensions (W x H x D):	27 mm x 92 mm x 70 mm
Housing design (light emission):	Rectangular
Sensing range max.:	0.03 m ... 22 m ¹⁾
Sensing range:	0.03 m ... 22 m ²⁾
Type of light:	Visible red light
Light source:	LED ³⁾
Wave length:	660 nm
Time type:	Time delay off, Switch on delay, Adjustable
Delay time:	Adjustable via time delay selector switch: 0.5 ... 10 s
Adjustment:	Potentiometer
Light spot size (distance):	Ø 250 mm (15 m)

^{1) 2)} PL80A ³⁾ Average service life of 100,000 h at T_A = +25 °C

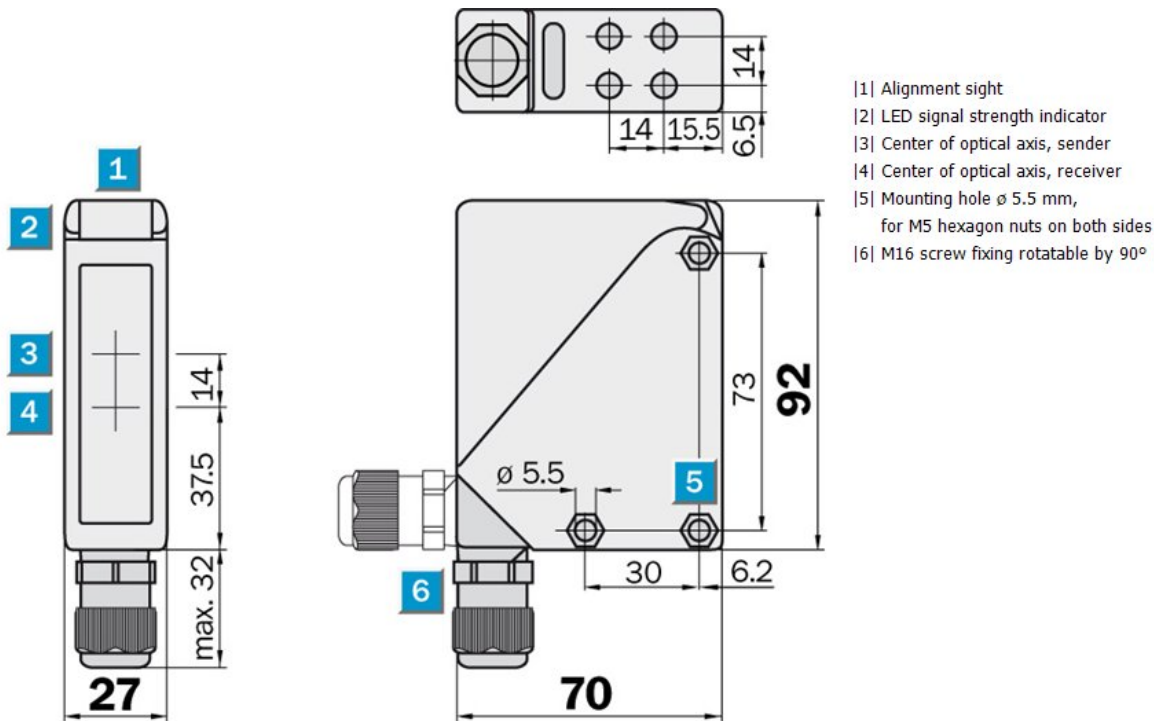
Mechanics/electronics

Supply voltage:	10 V DC ... 30 V DC ¹⁾
-----------------	-----------------------------------

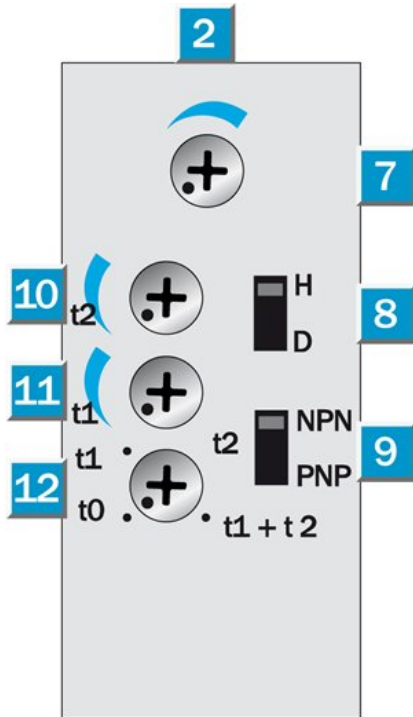
Ripple:	< 5 Vpp ²⁾
Current consumption:	≤ 50 mA
Switching output:	NPN, PNP
Switching mode:	Dark-switching, Light switching
Switching mode selector:	Selectable via light/dark selector, Selectable via PNP/NPN selector
Output current I _{max} ·:	100 mA
Response time:	≤ 500 μs ³⁾
Switching frequency:	1,000 Hz ⁴⁾
Connection type:	Terminal connection with M16 gland ⁵⁾
Circuit protection:::	A, C, D ^{6) 7) 8)}
Protection class:	II ⁹⁾
Weight:	140 g
Polarisation filter:	✓
Housing material:	ABS, Plastic
Enclosure rating:	IP 67
Test input sender off:	TE to 0 V
Ambient temperature operation:	-40 °C ... +60 °C
Ambient storage temperature:	-40 °C ... +75 °C
UL File No.:	NRKH.E181493 & NRKH7.E181493

1) Limit values 2) May not exceed or fall short of V_S tolerances 3) Signal transit time with resistive load 4) With light/dark ratio 1:1 5) Connection rotatable by 90° 6) A = V_S connections reverse-polarity protected 7) C = interference suppression 8) D = outputs overcurrent and short-circuit protected 9) Reference voltage: 50 V DC

Dimensional drawing

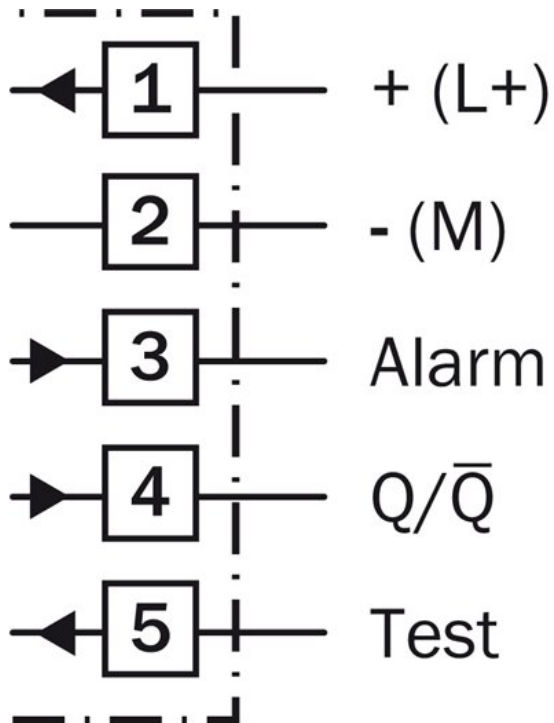


Adjustments possible

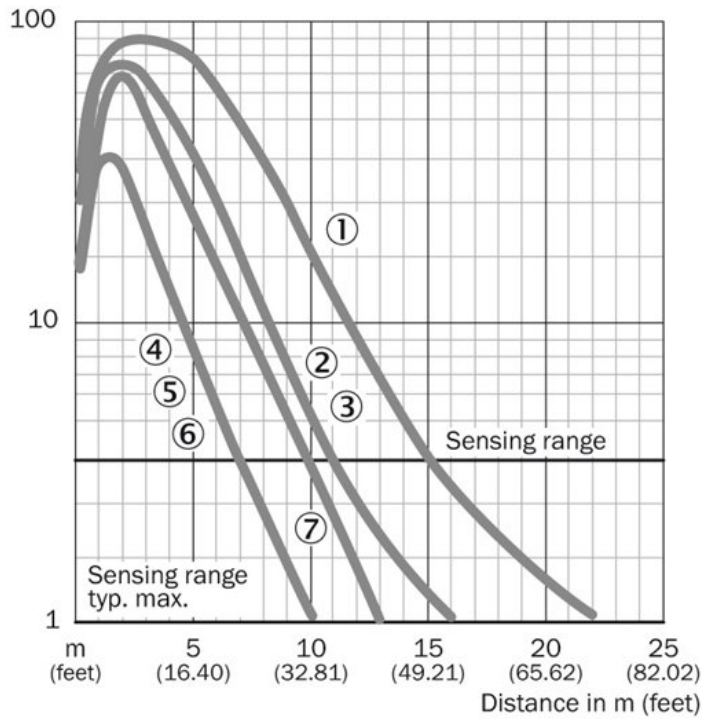


- |2| LED signal strength indicator
- |7| Sensitivity adjustment
- |8| Light/dark selector
- |9| NPN/ PNP selector
- |10| Time control t2=OFF-delay
- |11| Time control t1=ON-delay
- |12| time delay selector switch

Connection diagram

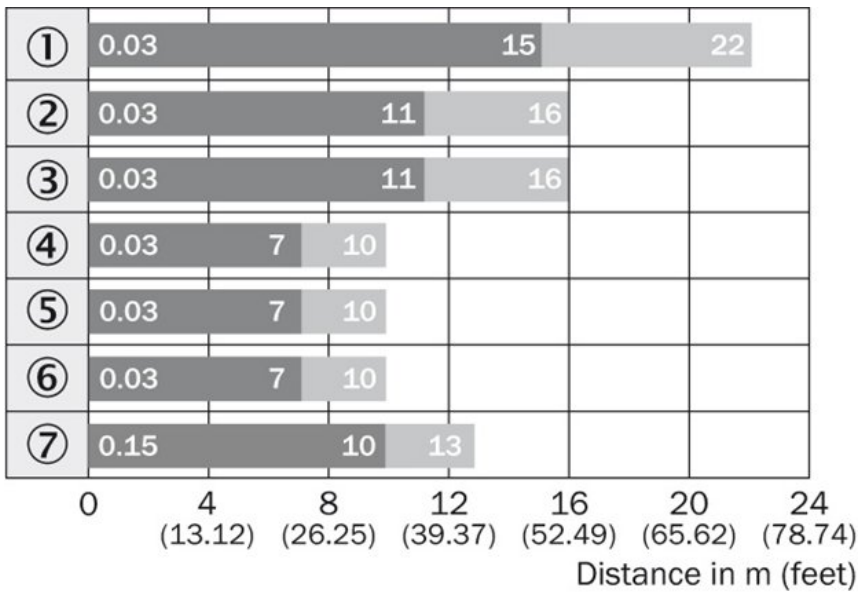


Characteristic curve



- |1| PL80A
- |2| PL50A
- |3| PL40A
- |4| PL30A
- |5| PL20A
- |6| Reflective tape Diamond Grade
- |7| C110A

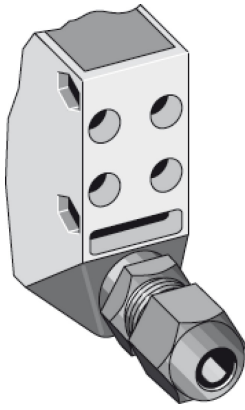
Sensing range diagram



- |1| PL80A
- |2| PL50A
- |3| PL40A
- |4| PL30A
- |5| PL20A
- |6| Reflective tape Diamond Grade
- |7| C110A

■ Sensing range ■ Sensing range max.

Connection type



Australia

Phone +61 3 9457 0600
1800 334 802 – tollfree
E-Mail sales@sick.com.au

Belgium/Luxembourg

Phone +32 (0)2 466 55 66
E-Mail info@sick.be

Brasil

Phone +55 11 3215-4900
E-Mail sac@sick.com.br

Canada

Phone +1 905 771 14 44
E-Mail information@sick.com

Česká republika

Phone +420 2 57 91 18 50
E-Mail sick@sick.cz

China

Phone +86 4000 121 000
E-Mail info.china@sick.net.cn
Phone +852-2153 6300
E-Mail ghk@sick.com.hk

Danmark

Phone +45 45 82 64 00
E-Mail sick@sick.dk

Deutschland

Phone +49 211 5301-301
E-Mail info@sick.de

España

Phone +34 93 480 31 00
E-Mail info@sick.es

France

Phone +33 1 64 62 35 00
E-Mail info@sick.fr

Great Britain

Phone +44 (0)1727 831121
E-Mail info@sick.co.uk

India

Phone +91-22-4033 8333
E-Mail info@sick-india.com

Israel

Phone +972-4-6801000
E-Mail info@sick-sensors.com

Italia

Phone +39 02 27 43 41
E-Mail info@sick.it

Japan

Phone +81 (0)3 3358 1341
E-Mail support@sick.jp

Magyarország

Phone +36 1 371 2680
E-Mail office@sick.hu

Nederland

Phone +31 (0)30 229 25 44
E-Mail info@sick.nl

Norge

Phone +47 67 81 50 00
E-Mail sick@sick.no

Österreich

Phone +43 (0)22 36 62 28 8-0
E-Mail office@sick.at

Polska

Phone +48 22 837 40 50
E-Mail info@sick.pl

România

Phone +40 356 171 120
E-Mail office@sick.ro

Russia

Phone +7-495-775-05-30
E-Mail info@sick.ru

Schweiz

Phone +41 41 619 29 39
E-Mail contact@sick.ch

Singapore

Phone +65 6744 3732
E-Mail sales.gsg@sick.com

Slovenija

Phone +386 (0)1-47 69 990
E-Mail office@sick.si

South Africa

Phone +27 11 472 3733
E-Mail info@sickautomation.co.za

South Korea

Phone +82 2 786 6321/4
E-Mail info@sickkorea.net

Suomi

Phone +358-9-25 15 800
E-Mail sick@sick.fi

Sverige

Phone +46 10 110 10 00
E-Mail info@sick.se

Taiwan

Phone +886-2-2375-6288
E-Mail sales@sick.com.tw

Türkiye

Phone +90 (216) 528 50 00
E-Mail info@sick.com.tr

United Arab Emirates

Phone +971 (0) 4 8865 878
E-Mail info@sick.ae

USA/México

Phone +1(952) 941-6780
1 800-325-7425 – tollfree
E-Mail info@sickusa.com

More representatives and agencies
at www.sick.com

X-ON Electronics

Largest Supplier of Electrical and Electronic Components

Click to view similar products for [sick manufacturer](#):

Other Similar products are found below :

[6-020-768](#) [PL20A](#) [GRL18-P2437](#) [GRSE18-P2422](#) [IM05-0B8NS-ZT1](#) [IM08-02BPS-ZWK](#) [IM08-1B5PS-ZT1](#) [IME18-05BPSZW2K](#) [IME18-12NPSZC0K](#) [KT6W-2P5116](#) [GRSE18-P2447](#) [GRTE18-P2412](#) [GRTE18-P2442](#) [IM30-15NPS-ZW1](#) [IME12-04NPSZW2K](#) [IME12-08NPSZW2S](#) [KTM-MB31111P](#) [VTE18-4N2212](#) [VTE18-4P8740](#) [LL3-TB01](#) [MZT8-28VPS-KP0](#) [WL11-2P2430](#) [WLL180T-P434](#) [WL260-R270](#) [VTF18-4P1612](#) [VTF-18-4N1240](#) [VL180-2P42436](#) [WTE280-2P1131](#) [WTE11-2P2432](#) [CM30-25NNP-EC1](#) [CM18-08BNP-EW1](#) [CM18-08BPP-EW1](#) [CM18-12NNP-EC1](#) [CM18-12NPP-EW1](#) [CM30-16BPP-EC1](#) [CM30-25NPP-EW1](#) [E100-A2A22C05A](#) [GRL18-P1137](#) [KUP-0608-S](#) [KUP-0610-F](#) [MM12-60APS-ZUK](#) [DFS60B-S1PA10000](#) [GRL18-P1132](#) [WL150-P430](#) [WSE11-2N2430](#) [WSE4-3P2230](#) [WL2SG-2F3235](#) [IQ40-40NPPKC0K](#) [IQ40-20BPPKC0K](#) [IMB30-20NPPVC0S](#)