



Photoelectric sensors
W100, Photoelectric retro-reflective sensor,
Standard optics

WL100-P1439



Model Name > [WL100-P1439](#)
Part No. > [6026067](#)



Illustration may differ

At a glance

- Standard miniature housing with M3 threaded mounting holes
- Optics with standard red LED or bright light LED
- Polarizing filter
- Light/dark switching and sensitivity adjustment via rotary switch possible
- All necessary accessories (BEF-W100-A and P250) are included with delivery (depending on type)

Your benefits

- Highly visible light spot simplifies alignment
- Less contamination due to high optical operating reserve
- Polarization filter allows reliable detection of objects with shiny surfaces and prevents false switching
- M3 threaded mounting holes provide easy installation
- Variants available for reliably detecting clear materials, min. attenuation 20 %
- All necessary accessories (bracket and reflector) are included with delivery, reducing installation and procurement costs (depending on type)



Features

Sensor/detection principle:	Photoelectric retro-reflective sensor, Standard optics
Dimensions (W x H x D):	11 mm x 31 mm x 20 mm
Housing design (light emission):	Rectangular, Slim
Sensing range max.:	0.01 m ... 6 m ¹⁾
Sensing range:	0.01 m ... 5 m ²⁾
Type of light:	Visible red light
Light source:	LED ³⁾
Wave length:	680 nm
Light spot diameter (distance):	Ø 250 mm (3.5 m)
Sensitivity adjustment:	Potentiometer, 270°
Focus adjustable:	-

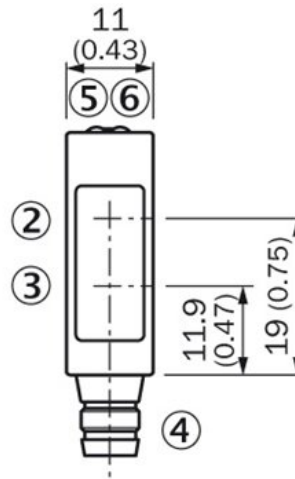
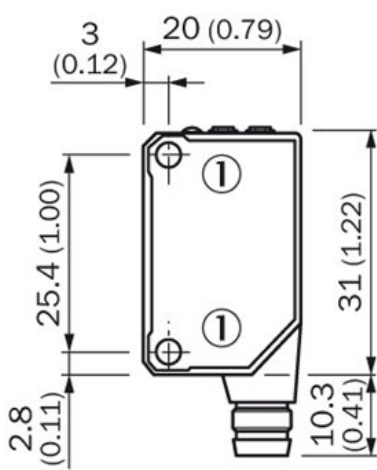
1) 2) PL80A 3) Average service life 100,000 h at Ta = +25 °C

Mechanics/electronics

Supply voltage:	10 V DC ... 30 V DC ¹⁾
Ripple:	± 10 % ²⁾
Power consumption:	≤ 30 mA ³⁾
Switching output:	PNP, Light/dark-switching, manually selectable, open collector
Signal voltage PNP HIGH/LOW:	UV - 1,8 V / ca. 0 V
Output current I _{max.} :	100
Response time:	≤ 0.5 ms ⁴⁾
Switching frequency:	1,000 ⁵⁾
Angle of dispersion:	Ca. 4 °
Connection type:	Cable, 3-wire, 2 m ⁶⁾
Cable material:	PVC
Conductor cross-section:	0.18 mm ²
Circuit protection:::	A, B, D ^{7) 8) 9)}
Weight:	53 g
Polarisation filter:	✓
Housing material:	ABS/PC/POM
Optics material:	PMMA
Enclosure rating:	IP 65
Items supplied:	Stainless steel mounting bracket (1.4301/304) BEF-W100-A, Reflector P250
Ambient operating temperature:	-25 °C ... 55 °C
Ambient storage temperature:	-40 °C ... 70 °C

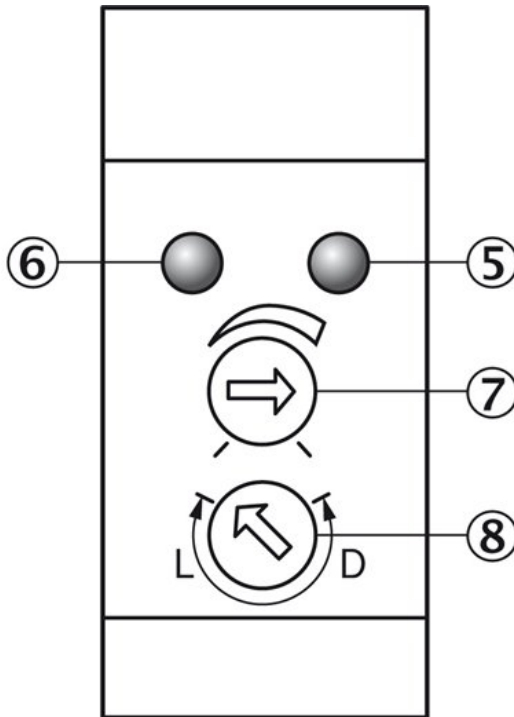
¹⁾ Limit values, operation in short-circuit protected network max. 8 A ²⁾ May not exceed or fall short of V ³⁾ Without load ⁴⁾ Signal transit time with resistive load ⁵⁾
With light/dark ratio 1:1 ⁶⁾ Do not bend below 0 °C ⁷⁾ A = V_S connections reverse-polarity protected ⁸⁾ B = inputs and output reverse-polarity protected ⁹⁾ D = outputs
overcurrent and short-circuit protected

Dimensional drawing



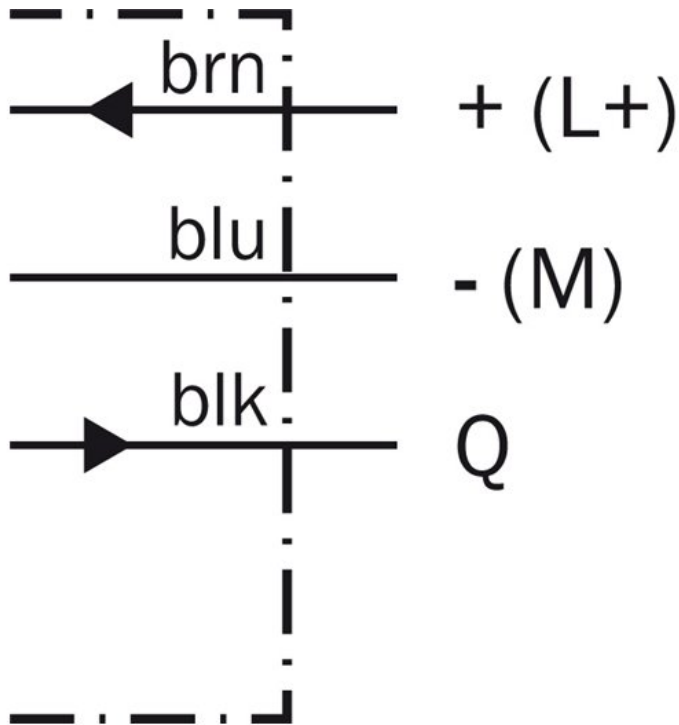
- |1| Threaded mounting hole M3
- |2| Center of optical axis, receiver
- |3| Center of optical axis, sender
- |4| Connection
- |5| LED indicator orange: switching output active
- |6| LED indicator green: stability indicator

Adjustments possible

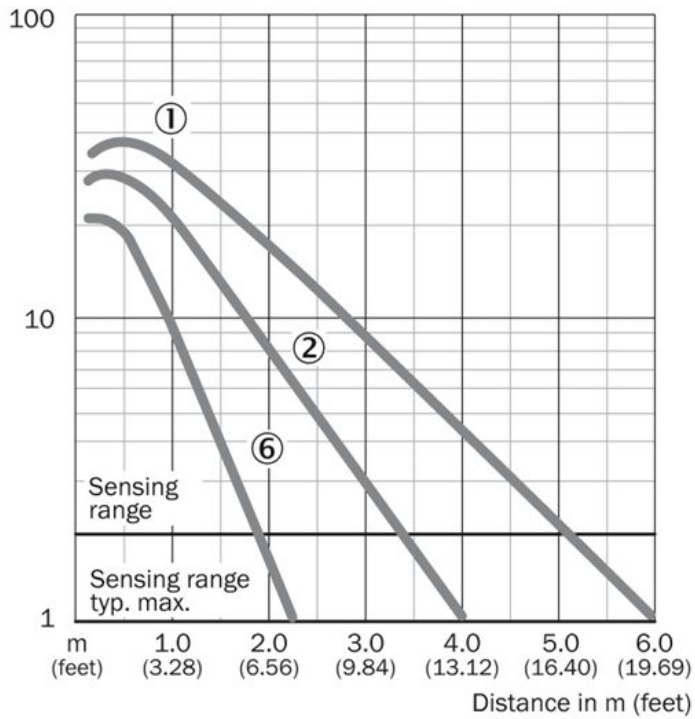


- |5| LED indicator orange: switching output active
- |6| LED indicator green- power on
- |7| Sensing distance adjustment (270°)
- |8| Light/ dark rotary switch L= light switching, D= dark switching

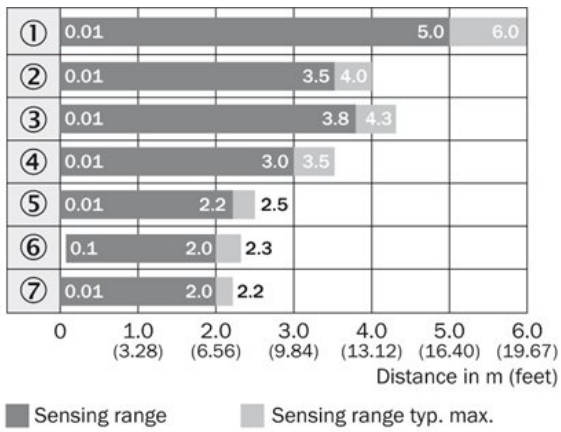
Connection diagram



Characteristic curve



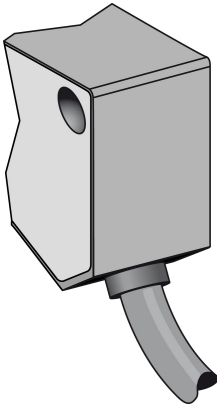
Sensing range diagram



Reflector type

- ① PL80A
- ② P250
- ③ PL50A/PL40A
- ④ PL30A/PL31A
- ⑤ PL20A
- ⑥ Reflective tape
Diamond Grade
- ⑦ P45

Connection type



Australia

Phone +61 3 9457 0600
1800 334 802 – tollfree
E-Mail sales@sick.com.au

Belgium/Luxembourg

Phone +32 (0)2 466 55 66
E-Mail info@sick.be

Brasil

Phone +55 11 3215-4900
E-Mail sac@sick.com.br

Canada

Phone +1(952) 941-6780
1 800-325-7425 – tollfree
E-Mail info@sickusa.com

Ceská Republika

Phone +420 2 57 91 18 50
E-Mail sick@sick.cz

China

Phone +86 4000 121 000
E-Mail info.china@sick.net.cn
Phone +852-2153 6300
E-Mail ghk@sick.com.hk

Danmark

Phone +45 45 82 64 00
E-Mail sick@sick.dk

Deutschland

Phone +49 211 5301-301
E-Mail kundenservice@sick.de

España

Phone +34 93 480 31 00
E-Mail info@sick.es

France

Phone +33 1 64 62 35 00
E-Mail info@sick.fr

Great Britain

Phone +44 (0)1727 831121
E-Mail info@sick.co.uk

India

Phone +91-22-4033 8333
E-Mail info@sick-india.com

Israel

Phone +972-4-6801000
E-Mail info@sick-sensors.com

Italia

Phone +39 02 27 43 41
E-Mail info@sick.it

Japan

Phone +81 (0)3 3358 1341
E-Mail support@sick.jp

Magyarország

Phone +36 1 371 2680
E-Mail office@sick.hu

Nederlands

Phone +31 (0)30 229 25 44
E-Mail info@sick.nl

Norge

Phone +47 67 81 50 00
E-Mail austefjord@sick.no

Österreich

Phone +43 (0)22 36 62 28 8-0
E-Mail office@sick.at

Polska

Phone +48 22 837 40 50
E-Mail info@sick.pl

România

Phone +40 356 171 120
E-Mail office@sick.ro

Russia

Phone +7-495-775-05-30
E-Mail info@sick.ru

Schweiz

Phone +41 41 619 29 39
E-Mail contact@sick.ch

Singapore

Phone +65 6744 3732
E-Mail admin@sicksgp.com.sg

Slovenija

Phone +386 (0)1-47 69 990
E-Mail office@sick.si

South Africa

Phone +27 11 472 3733
E-Mail info@sickautomation.co.za

South Korea

Phone +82 2 786 6321/4
E-Mail info@sickkorea.net

Suomi

Phone +358-9-25 15 800
E-Mail sick@sick.fi

Sverige

Phone +46 10 110 10 00
E-Mail info@sick.se

Taiwan

Phone +886-2-2375-6288
E-Mail sales@sick.com.tw

Türkiye

Phone +90 (216) 528 50 00
E-Mail info@sick.com.tr

United Arab Emirates

Phone +971 (0) 4 8865 878
E-Mail info@sick.ae

USA/México

Phone +1(952) 941-6780
1 800-325-7425 – tollfree
E-Mail info@sickusa.com

More representatives and agencies
at www.sick.com

X-ON Electronics

Largest Supplier of Electrical and Electronic Components

Click to view similar products for [sick manufacturer](#):

Other Similar products are found below :

[6-020-768](#) [PL20A](#) [GRL18-P2437](#) [GRSE18-P2422](#) [IM05-0B8NS-ZT1](#) [IM08-02BPS-ZWK](#) [IM08-1B5PS-ZT1](#) [IME18-05BPSZW2K](#) [IME18-12NPSZC0K](#) [KT6W-2P5116](#) [GRSE18-P2447](#) [GRTE18-P2412](#) [GRTE18-P2442](#) [IM30-15NPS-ZW1](#) [IME12-04NPSZW2K](#) [IME12-08NPSZW2S](#) [KTM-MB31111P](#) [VTE18-4N2212](#) [VTE18-4P8740](#) [LL3-TB01](#) [MZT8-28VPS-KP0](#) [WLL180T-P434](#) [WL260-R270](#) [VTF18-4P1612](#) [VTF-18-4N1240](#) [VL180-2P42436](#) [WTE280-2P1131](#) [WTE11-2P2432](#) [CM30-25NNP-EC1](#) [CM18-08BNP-EW1](#) [CM18-08BPP-EW1](#) [CM18-12NNP-EC1](#) [CM18-12NPP-EW1](#) [CM30-16BPP-EC1](#) [CM30-25NPP-EW1](#) [E100-A2A22C05A](#) [GRL18-P1137](#) [KUP-0608-S](#) [KUP-0610-F](#) [MM12-60APS-ZUK](#) [DFS60B-S1PA10000](#) [GRL18-P1132](#) [WL150-P430](#) [WSE11-2N2430](#) [WSE4-3P2230](#) [WL2SG-2F3235](#) [IQ40-40NPPKC0K](#) [IQ40-20BPPKC0K](#) [IMB30-20NPPVC0S](#) [DBS36E-BBAK02048](#)