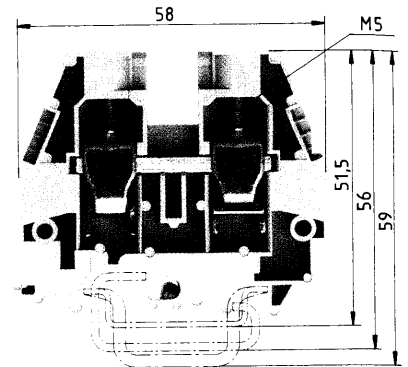
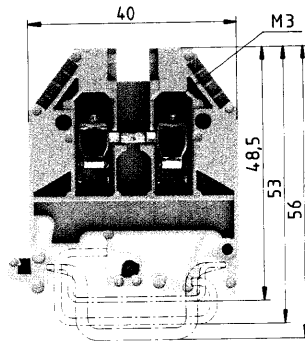


# Modular terminals with rising cage clamp connection for distribution boards, Type WKI

## selos BIT



EN 60 947-7-1/DIN VDE 0611 T1

UL Data field/factory wiring

CSA Data

Overall width

Approvals

Insulation strip length

### WK 4/U

finely stranded single core	V	A
0.5 – 4 mm <sup>2</sup> 0.5 – 6 mm <sup>2</sup>	800 V/8 kV/3	32
No. 22-10 AWG	600 V	30/35
No. 20-10 AWG	600 V	40
6 mm		9 mm



### WKI 10/U

finely stranded single core/stranded V	A
1 – 10 mm <sup>2</sup> 1.5 – 16 mm <sup>2</sup>	400 V/6 kV/3 57
No. 16-6 AWG	600 V 65/65
No. 16-6 AWG	600 V 70
10 mm	18 mm



	Colour:	Type	Part No.	Box Qty		Type	Part No.	Box Qty
<b>Modular terminal</b>	grey	WK 4/U	57.504.0055.0	100		WKI 10/U	57.510.1155.0	50
<b>Modular terminal</b>	blue	WK 4/U BLAU	57.504.0055.6	100		WKI 10/U BLAU	57.510.1155.6	50
<b>Accessories</b>								
1. Mounting rail 35, DIN rail 7.5 high	L = 2 m	35 x 27 x 7.5 EN 60715	98.300.0000.0	1		35 x 27 x 7.5 EN 60715	98.300.0000.0	1
Mounting rail 35, DIN rail 15 high	L = 2 m	35 x 27 x 15 EN 60715	98.360.0000.0	1		35 x 27 x 15 EN 60715	98.360.0000.0	1
2. End clamp, TS 35, with screw	8 mm wide	9708/2 S35	Z5.522.8553.0	100		9708/2 S35	Z5.522.8553.0	100
End clamp, TS 35, without screw	8 mm wide	WEF 1/35	Z5.523.9353.0	100		WEF 1/35	Z5.523.9353.0	100
3. End plate	1.5 mm wide	Colour: grey	AP 2,5-4	07.311.0155.0	10			
	1.5 mm wide	Colour: blue	AP 2,5-4 BLAU	07.311.0155.6	10			
	1.5 mm wide	Colour: green						
End plate	2 mm wide	Colour: grey				API 10-16	07.311.9455.0	10
	2 mm wide	Colour: blue				API 10-16 BLAU	07.311.9455.6	10
	2 mm wide	Colour: green						
4. Partition plate	Colour: grey	TW 2,5-4	07.311.1155.0	10				
	Colour: blue	TW 2,5-4 BLAU	07.311.1155.6	10				
5. Jumper bars with screws,	2 pole	IVB WK 4-2	Z7.281.1227.0	10		IVB WKN 10-2	Z7.283.2227.0	10
E-Cu, Insulated	3 pole	IVB WK 4-3	Z7.281.1327.0	10		IVB WKN 10-3	Z7.283.2327.0	10
	4 pole	IVB WK 4-4	Z7.281.1427.0	10		IVB WKN 10-4	Z7.283.2427.0	10
	5 pole	IVB WK 4-5	Z7.281.1527.0	10		IVB WKN 10-5	Z7.283.2527.0	10
	6 pole	IVB WK 4-6	Z7.281.1627.0	10		IVB WKN 10-6	Z7.283.2627.0	10
6. Insulation plate with marking facility	Colour: yellow	TS 4 GELB	07.311.2153.8	10		TS 10 GELB	07.311.2353.8	10
7. Cover with marking facility	Colour: yellow	AD VB 4 GELB	04.326.2153.8	10		AD VB 10 GELB	04.342.1056.8	10
8. Cover with warning symbol for 4 terminals	Colour: yellow	AD 4/4 GELB	04.343.4856.8	10				
Cover with warning symbol for 1 terminal	Colour: yellow					ADI 10/1 GELB	04.325.8553.8	10
9. Busbar								
E-Cu 10 x 3 mm, tin plated, I <sub>N</sub> = 140	L = 1 m							
E-Cu 10 x 3 mm, blank, I <sub>N</sub> = 140 A	L = 1 m							
10. Supply terminal for busbar								
	16 mm <sup>2</sup>	8.5 mm wide						
	35 mm <sup>2</sup>	17 mm wide						
11. Busbar support	4 mm wide							
Busbar support	8 mm wide							
See pages 48-49 and 90-91 for marking accessories								

## X-ON Electronics

Largest Supplier of Electrical and Electronic Components

*Click to view similar products for [wieland](#) manufacturer:*

Other Similar products are found below :

[57.504.0053.7](#) [57.904.4955.0](#) [57.904.7455.0](#) [57.910.6153](#) [01.001.6553.0](#) [01.112.1453](#) [02.125.1600.0](#) [CWD012-5](#) [CWD012-L](#) [CWD02-A](#)  
[CWD02-D](#) [CWD02-H](#) [CWD02-K](#) [CWD02-M](#) [CWD02-Q](#) [CWD02-R](#) [CWD02-U](#) [CWD02-W](#) [CWD02-Y](#) [CWD03+](#) [CWD03-P](#)  
[70.100.1653.3](#) [70.105.1653.3](#) [70.331.1628.0](#) [70.340.1028.0](#) [70.343.2428.0](#) [70.353.4835.1](#) [70.355.2435.1](#) [70.364.4828.0](#) [70.372.1035.0](#)  
[70.372.4835.1](#) [70.372.4835.3](#) [70.400.3240.0](#) [70.500.4853.0](#) [70.810.1053.0](#) [70.955.2453.3](#) [71.321.1028.0](#) [71.350.1028.0](#) [72.250.1628.2](#)  
[72.250.2428.2](#) [72.250.2435.2](#) [72.301.1653.9](#) [72.325.1628.0](#) [72.353.1635.0](#) [73.352.6428](#) [73.353.4028.1](#) [73.363.6428.0](#) [77.340.1635.0](#)  
[78.111.0453.0](#) [78.903.0153.0](#)