

Band Size	Circumference	
	Min.	Max.
Small	140mm (5.5")	229mm (9")
Medium	152mm (6")	279mm (11")
Large	178mm (7")	305mm (12")

Item	Band Size	Coil Cord
229961	Small	Not Included
229962	Medium	Not Included
229963	Large	Not Included
229964	Small	183cm (6') (229955)
229965	Medium	183cm (6') (229955)
229966	Large	183cm (6') (229955)
229967	Small	366cm (12') (229956)
229968	Medium	366cm (12') (229956)
229969	Large	366cm (12') (229956)

U.S. Patent Pending

- A. 0.051mm polyphenylsulfone sheet laminated to each link. Provides >5,000 Volt RMS insulation per ASTM D149. Will not flake or peel.
- B. Unique dual contact design is to be paired with a [Vermason MagSnap™ 360 Coil Cord](#) (not included) for a superior electrical connection. The magnetic connection made with the coil cord meets the 1-5 pound perpendicular breakaway force requirement per ANSI/ESD S1.1 to prevent accidental disconnects while allowing the worker to untether when needed.
- C. Black ABS plastic cap. Molded with "MagSnap 360" trademark.
- D. Underwriters Laboratory Listing 90P1C.
- E. Inside links are constructed of 300 Series Stainless Steel. Width of links is 16mm.
- F. Black ABS plastic insulator separates band into halves.

Meets required limits of EN 61340-5-1 and requirements of ANSI/ESD S1.1.

Unless otherwise noted, tolerance $\pm 10\%$

Specifications and procedures subject to change without notice.



Made in the
United States of America

MAGSNAP 360™ DUAL-WIRE METAL EXPANSION WRISTBAND

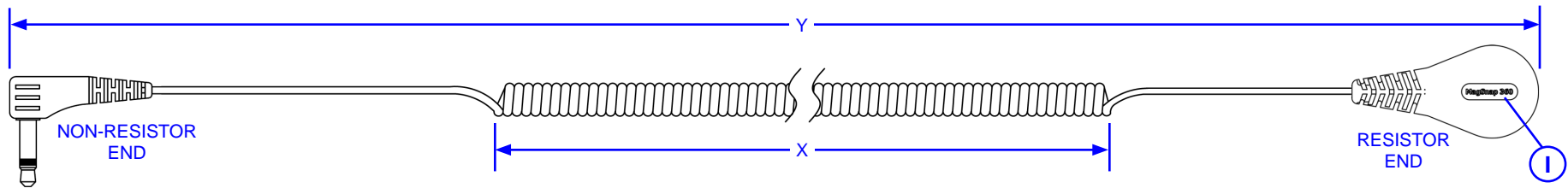
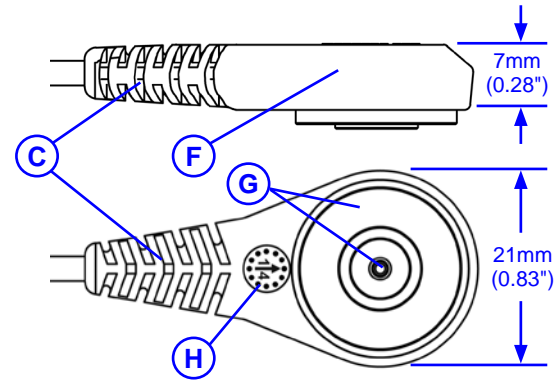
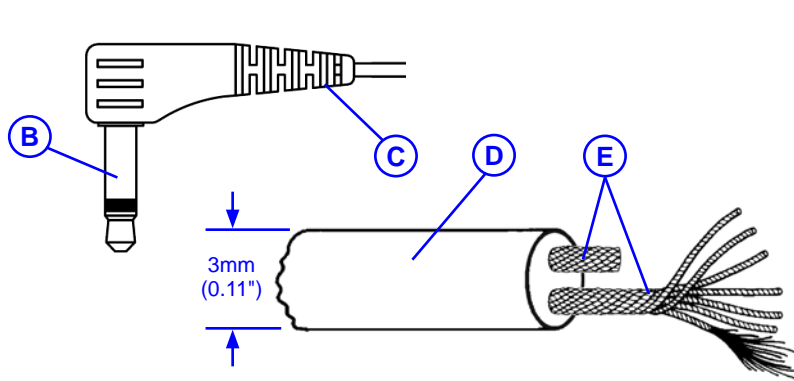
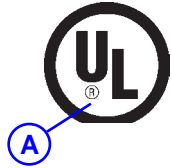
Vermason

VERMASON

UNIT C, 4TH DIMENSION, FOURTH AVENUE, LETCHWORTH,
HERTFORDSHIRE, SG6 2TD, UNITED KINGDOM
PHONE: +44 (0) 1462-672005
E-MAIL: Service@Vermason.co.uk, INTERNET: Vermason.co.uk

**DRAWING
NUMBER**
229961

DATE
August
2014



- A. Underwriters Laboratory Listing 90P1C.
 - B. Compatible with [Vermason Dual-Wire Continuous Monitors](#) and other brands that accept a [3.5mm phono plug](#).
 - C. Thermoplastic elastomer strain relief [molded on](#).
 - D. Relaxed retraction coiled cord reduces tug on wearer's wrist. Black PVC insulation. Break load average 13.6 kilograms (30 pounds).
 - E. Dual T-3067 tinsel conductor. Consists of stranded polyester wrapped in copper. Equivalent to 29 gauge (cir mil and/or ohms).
 - F. 1 megohm ($\pm 5\%$) current limiting resistors on both conductors.
 - G. Unique dual contact design is to be paired with a [Vermason MagSnap 360™ Wristband](#) (not included) for a superior electrical connection. The magnetic connection made with the coil cord meets the 1-5 pound perpendicular breakaway force requirement per ANSI/ESD S1.1 to prevent accidental disconnects while allowing the worker to untether when needed. Spring loaded center contact rated to 1 million cycles.
 - H. Date coded with date of manufacture in compliance with ANSI/ESD S1.1.
 - I. "MagSnap 360" logo molded in compliance with ANSI/ESD S1.1.
- Meets required limits of EN 61340-5-1 and requirements of ANSI/ESD S1.1.

Item	Retracted Length		Extended Length	
	X	Y	Nominal	Max
229955	305mm (12")	508mm (20")	183cm (6')	259cm (8.5')
229956	610mm (24")	813mm (32")	366cm (12')	518cm (17')
229957	762mm (30")	965mm (38")	457cm (15')	671cm (22')

U.S. Patent Pending

Unless otherwise noted, tolerance $\pm 10\%$

Specifications and procedures subject to change without notice.

MAGSNAP 360™ DUAL-WIRE COILED CORD

VERMASON
 UNIT C, 4TH DIMENSION, FOURTH AVENUE, LETCHWORTH,
 HERTFORDSHIRE, SG6 2TD, UNITED KINGDOM
 PHONE: +44 (0) 1462-672005
 E-MAIL: Service@Vermason.co.uk, INTERNET: Vermason.co.uk

**DRAWING
 NUMBER**
 229955

DATE
 January
 2015

Vermason

X-ON Electronics

Largest Supplier of Electrical and Electronic Components

Click to view similar products for [AntiStatic Control Products](#) category:

Click to view products by [Vermason](#) manufacturer:

Other Similar products are found below :

[13505](#) [13870](#) [14404](#) [20-053-0017](#) [2229](#) [2231](#) [3039](#) [37061](#) [39792](#) [42470](#) [XON-ASB4X30](#) [XON-ASB4X6](#) [XON-ASB6X30](#) [09813](#) [09857](#)
[XON-ASB8X10](#) [XON-ASB6X10](#) [19695](#) [09037](#) [68101](#) [68103](#) [73741](#) [13515](#) [13869](#) [13868](#) [13485](#) [13457](#) [13245](#) [13332](#) [13205](#) [13135](#) [91070](#)
[8031](#) [8523](#) [13080](#) [13215](#) [157 ROLL BEIGE 1.0](#) [VERAX1R-300R](#) [17260](#) [66051](#) [12550](#) [19863](#) [09121](#) [73831](#) [13340](#) [13338](#) [04541](#) [19696](#)
[16104](#) [SPI-20686](#)