

Category 6 Keystone Panel Mount Coupler



Category 6 Keystone Panel Mount Coupler (SACK2)

Features

- Designed to fit US industry standard keystone mount outlets wall plates and patch panels
- High performance data throughput, meets Category 6 data transfer rates
- Shielded and Category 5e versions also available
- Fully loaded 19 inch panel also available

Specifications

- DIMENSIONS (mm) 29.5 x 16.9 x 16.2 approx

Materials

- Housing: ABS UL94V-0
- Contacts: 50µ"/1.27µm gold plating over nickel plated phosphor bronze
- Colour: White (SACK2wh) or black (SACK2bk)

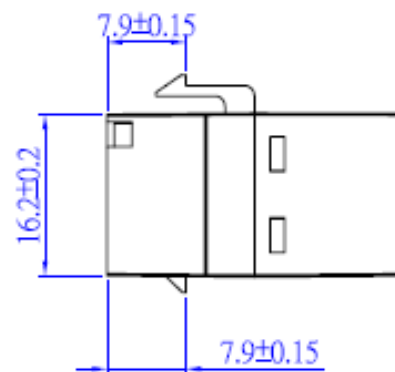
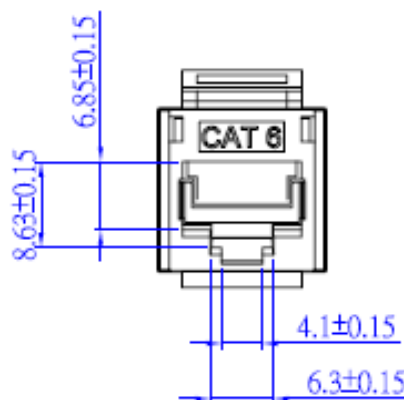
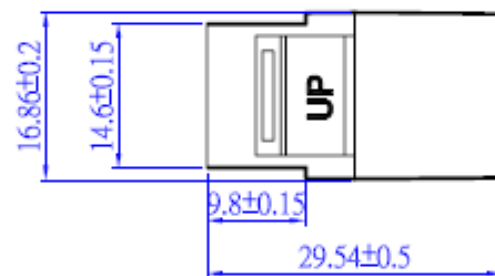
ROHS Compliant

Features :

- RJ45 complies with FCC part 68 standard
- Jack insertion life >750 mating cycles
- IDC insertion life >250 mating cycles
- Operating temperature : -40°C~+60°C

Electrical :

- Contact resistance : 20m ohm
- DC Current rating : 1.5Amps
- DC resistance : Max. 0.1 ohm
- Insulation Resistance : 500m ohm
- Dielectric withstanding voltage : 100V



TOLERANCE

.XXXX	—
.XXX	0.10
.XX	0.25
.X	0.38

TECHNICAL DATA

CATEGORY	<input type="checkbox"/> CAT.5E <input checked="" type="checkbox"/> CAT.6 <input type="checkbox"/> CAT.3 <input type="checkbox"/> OTHER_____
HOUSING	ABS + PC UL94V-0
CONTACT	0.46 mm DIAMETER PHOSPHOR BRONZE GOLD PLATED OVER NICKEL
GOLD PLATING	<input type="checkbox"/> 0.0762 um / 3u inch <input type="checkbox"/> 0.15 um / 6u inch <input type="checkbox"/> 0.38 um / 15u inch <input type="checkbox"/> 0.76 um / 30u inch <input checked="" type="checkbox"/> 1.27 um / 50u inch
COLOR	<input checked="" type="checkbox"/> WHITE <input type="checkbox"/> BLACK <input type="checkbox"/> GREEN <input type="checkbox"/> BLUE <input type="checkbox"/> YELLOW <input type="checkbox"/> RED <input type="checkbox"/> ORANGE <input type="checkbox"/> IVORY <input type="checkbox"/> OTHER_____
TYPE OF PRODUCT	<input checked="" type="checkbox"/> UNSHIELD <input type="checkbox"/> SHIELD : 0.25mm THICKNESS COPPER ALLOY WITH NICKLE PLATED

P/NO. SAC

ITEM. CO. APPD.

TUK Ltd

Category 6 Keystone Panel Mount Coupler (Shielded)



Category 6 Keystone Panel Mount Coupler Shielded (SACK3S)

Features

- Designed to fit US industry standard keystone mount outlets wall plates and patch panels
- RJ45 complies with FCC68
- High performance data throughput, meets Category 6 data transfer rates
- Operating temperature: -40°C ~ +60°C
- Jack insertion life > 750 mating cycles
- Fully loaded panel also available

Specifications

- Housing: Nickel plated zinc alloy
- Contacts: 50µ"/ 1.27µm gold plating over nickel plated phosphor bronze
- Dimensions 29.7 x 17 x 16.1 mm approx
- Earthing lug material: Stainless steel SUS304

ROHS Compliant

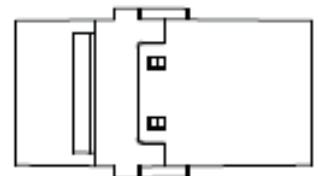
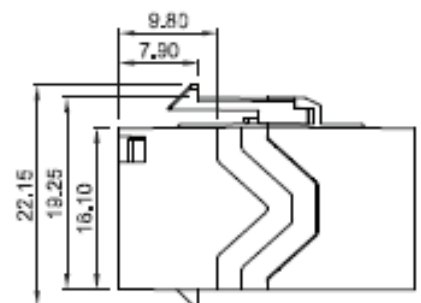
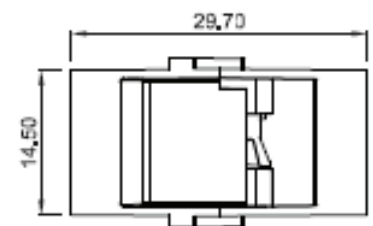
Features :

- RJ45 complies with FCC part 68 standard
- Jack Insertion life >750 mating cycles
- Operating temperature : -40 °C ~ +60 °C

Electrical :

- Contact resistance : 20m ohm
- DC Current rating : 1.5Amps
- DC resistance : Max.0.1 ohm
- Insulation Resistance : 500m ohm
- Dielectric withstanding voltage : 1000V

* Earthing lug material: Stainless steel SUS304



A

B

C

D

E

TOLERANCE	
.XXXX	—
.XXX	0.10
.XX	0.25
.X	0.38

MATERIAL

CATEGORY	<input type="checkbox"/> CAT.5E <input checked="" type="checkbox"/> CAT.6 <input type="checkbox"/> CAT.3 <input type="checkbox"/> OTHER _____
HOUSING	Zn alloy
CONTACT	0.46 mm DIAMETER PHOSPHOR BRONZE GOLD PLATED OVER NICKEL
GOLD-PLATING	<input type="checkbox"/> 0.0762um/3u Inch <input type="checkbox"/> 0.15um/6u Inch <input type="checkbox"/> 0.38um/15u Inch <input type="checkbox"/> 0.76um/30u Inch <input checked="" type="checkbox"/> 1.27um/50u Inch
COLOR	<input type="checkbox"/> WHITE <input type="checkbox"/> BLACK <input type="checkbox"/> GREEN <input type="checkbox"/> BLUE <input type="checkbox"/> YELLOW <input type="checkbox"/> RED <input type="checkbox"/> ORANGE <input type="checkbox"/> IVORY <input type="checkbox"/> OTHER _____
Cosmetic	Electroplating Ni + Sandblasting

P/NO.

ITEM. Inline Coupler

DR. Wakka 2014/08/14

TUK Ltd

REV.	DESCRIPTION	ENG.	APPROVAL
1			
2			
3			
4			
5			

X-ON Electronics

Largest Supplier of Electrical and Electronic Components

Click to view similar products for [Modular Connectors](#) / [Ethernet Connectors](#) category:

Click to view products by [Tuk](#) manufacturer:

Other Similar products are found below :

[RJE231881317T](#) [MP1010RX-1000](#) [MP44RX-1000](#) [GAX-3-66](#) [GAX-8-62](#) [93606-0253](#) [GD-A-44](#) [GDCX-PA-66-50](#) [GDCX-PN-64](#) [GDCX-PN-66](#) [GDCX-PN-66-50](#) [GDLX-A-66](#) [GDLX-A-88](#) [GDLX-N-66](#) [GDLX-S-88K](#) [GDTX-S-88-50](#) [GDX-PA-1010](#) [GLX-N-1010M-BLK](#) [GLX-N-44M](#) [GLX-S-88M-BLK](#) [GMX-N-1010](#) [GMX-S-1010](#) [GMX-S-66](#) [GMX-SMT2-N-1010](#) [GMX-SMT2-N-64-50](#) [GMX-SMT2-S6-88](#) [GMX-SMT4-N-88](#) [GPX-2-64](#) [GRT1-BT1-5](#) [GSGX-N-2-88](#) [GSX-NS2-88-3.05](#) [GSX-NS2-88-3.05-50](#) [GSX-NS-88-3.05-30](#) [GSX-NS-88-3.05-50](#) [GSX-NS-88-3.68](#) [1-1775629-2](#) [GWLX-S-88-GR](#) [GWLX-S9-88-YG](#) [1300500326](#) [1300500227](#) [1300530003](#) [1300570002](#) [1324640-4](#) [RJ11FTVC2G](#) [RJ11FTVC2N](#) [RJFTVX2SA1G](#) [132764-001](#) [1400000](#) [1413176](#) [1413235](#)