



VER-29196

Description

Create a designated ESD grounding point on panels, racks, cabinets etc. The EBP kit has a 10mm stud connection which is then electrically bonded to the mounting or earth by the user.

- Mounting plate 25 x 35 mm in Yellow ABS
- Clearly indicates "ESD BONDING POINT " Per IEC 61340-5-2 Visible, unambiguous and easily recognized marking yellow on black colours
- 10mm snap stud Per IEC 61340-5-2 The use of mating snap connectors and specialized miniature sockets is recommended to prevent the EBP system being inadvertently connected to live circuits which may cause damage or safety problems

This kit comes unassembled and includes the following parts:

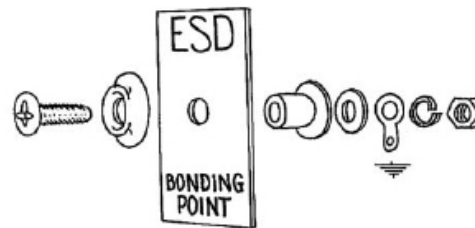
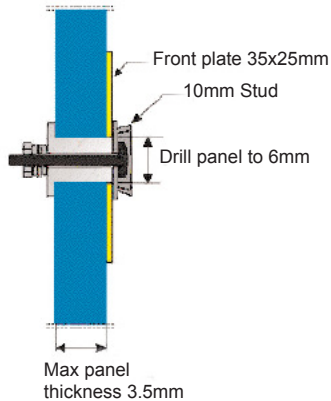
- 10mm Press Stud
- M5 Ring Terminal
- Vinyl Plate
- M3 Nut
- Plastic Shoulder Washer
- M3 Screw
- Shakerproof Washer
- M3 Washer

5.3.2 EPA ground facility

All forms of EPA need an earth facility and common point grounding system. In many EPA this will be the mains protective earth facility. Throughout the EPA for connections to all working surfaces, the floor and the earth bonding points for wrist straps. Within any single EPA, only one EPA ground facility is permitted.

5.3.3 EPA ground bonding point (EBP)

An EBP is required to allow anyone working in or visiting an EPA to connect the wrist strap (see IEC 61340-5-2 5.2.7) to ground.



| Size | Description |
|-----------|---------------------------------------|
| VER-29196 | EBP, with 10mm Stud for Rack Mounting |

Unless otherwise noted, tolerance $\pm 10\%$
Special manufactured items are not returnable for credit



CUSTOMER APPROVAL

DATE

Earth Bonding Point, W/ 10mm Stud for Rack Mounting



VERMASON
UNIT C, 4TH DIMENSION, FOURTH AVENUE, LETCHWORTH,
HERTS, SG6 2TD UK
PHONE: +44 (0) 1462-672005, FAX: +44 (0) 1462-670440
E-MAIL: Service@Vermason.co.uk INTERNET: Vermason.co.uk

Drawing Number
VER-29196

DATE:
October
2015

X-ON Electronics

Largest Supplier of Electrical and Electronic Components

Click to view similar products for [Screwdrivers, Nut Drivers & Socket Drivers](#) category:

Click to view products by [Vermason](#) manufacturer:

Other Similar products are found below :

[1406504-2](#) [27850](#) [CE-16-03400-00-HNDLE-TORQ](#) [30246](#) [323451-000](#) [46722](#) [16538](#) [XW4Z-00B](#) [96025](#) [96030](#) [96560](#) [96703](#) [96430](#)
[31830](#) [92270](#) [96012](#) [96436](#) [96536](#) [92064](#) [92008](#) [72820](#) [92005](#) [76070](#) [96520](#) [92040](#) [36372](#) [96416](#) [92024](#) [96420](#) [76005](#) [96570](#) [72823](#)
[96325](#) [96525](#) [96720](#) [31832](#) [76019](#) [92004](#) [76007](#) [92069](#) [92020](#) [76021](#) [96523](#) [96510](#) [96427](#) [96425](#) [96415](#) [96320](#) [92073](#) [92052](#)