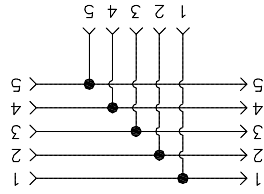
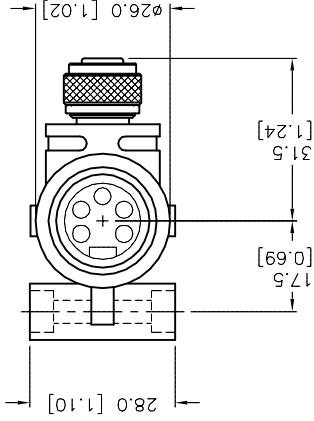
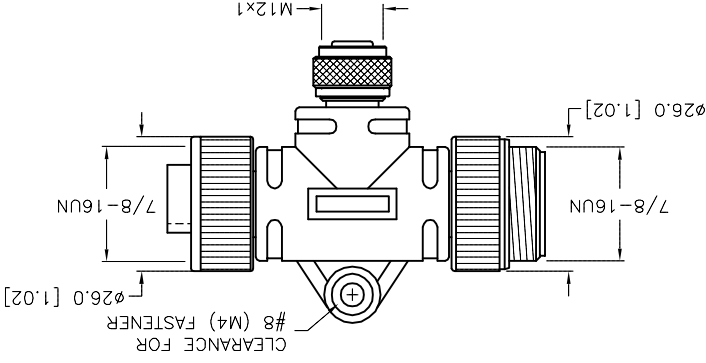
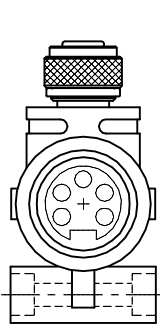
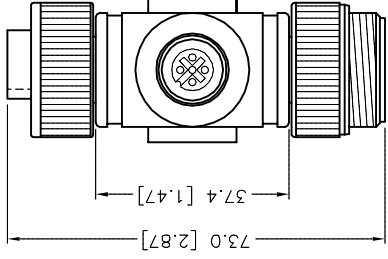


REV	L	DESCRIPTION	UPDATE CONTACT CARRIER MATERIAL	BY	RDS	DATE	02/23/12	ECO NO.	27902
<p>RELATED DOCUMENTS</p> <p>1. 3RD ANGLE PROJECTION</p> <p>2. INC. USE OF THIS DOCUMENT WITHOUT WRITTEN PERMISSION IS PROHIBITED.</p> <p>3. THIS DRAWING IS CONFIDENTIAL AND THE PROPERTY OF TURCK INC.</p> <p>4. ALL DIMENSIONS DISPLAYED ON THIS DRAWING ARE FOR REFERENCE ONLY</p> <p>FINISH</p>									
MATERIAL		DRFT	JBU	DATE	2/12/97	APVD	SCALE	1=1.5	UNIT OF MEASUREMENT
DESCRIPTION		<p>TURCK INC High Technology Sensors and Automation Controls 3000 CAMPUS DRIVE MINNEAPOLIS, MN 55441 1-800-544-7769 (763) 553-7300 (763) 553-0708 fax turck.com</p>							
IDENTIFICATION NO.		RSM FKM RKM 57							
REV		U0142							
SHEET 1 OF 1		FILE: U0142							
DO NOT SCALE THIS DRAWING		CONTACT TURCK FOR MORE INFORMATION							

SOURCE DRAWING - FOR REFERENCE ONLY



WIRING DIAGRAM

SPECIFICATIONS	
CONTACT CARRIER MATERIAL	NYLON OR TPU
MOLDED HEAD MATERIAL/COLOR	TPU/BLUE-GRAY
CONTACT MATERIAL/PLATING	BRASS/GOLD
COUPLING NUT MATERIAL/PLATING	BRASS/NICKEL
RATED CURRENT [A]	4.0 A
RATED VOLTAGE [V]	250 V
TEMPERATURE RATING	-40°C TO +75°C (-40°F TO +167°F)
PROTECTION CLASS	MEETS NEMA 1,3,4,6P AND IEC IP67

<p>FEMALE END VIEW</p>	<p>MALE END VIEW</p>	<p>FEMALE END VIEW</p>
------------------------	----------------------	------------------------

X-ON Electronics

Largest Supplier of Electrical and Electronic Components

Click to view similar products for [turck](#) manufacturer:

Other Similar products are found below :

[BI10-M30-AP6X-H1141](#) [BI2-G12-AZ33X-7M](#) [BS4151-0/13.5](#) [NI12U-G18-ADZ30X2-B1331](#) [NI12U-M18-AN4X](#) [BI1.5-G08K-AN6X](#) [BI5-G18-AZ3X](#) [BI5-G18-AZ3X-B1331-50MM](#) [VB20](#) [B 5143-0](#) [BI 2-EG08K-AP6X-V1131](#) [BMWS 8151-0/9](#) [BI30U-CK40-AP6X2-H1141](#) [NI12U-M18-AP6X-H1141](#) [NI4U-EG08-AN6X-H1341](#) [NI5-G12-AP6X-H1141](#) [NI14-G18-ADZ30X2](#) [BC10-QF5.5-RN6X2](#) [PKG 3M-4/S90](#) [B1N360V-Q20L60-2LU3-H1151](#) [FKFD 4.5](#) [RK40-2M](#) [BI5-G18-AP6X-B1441/S34](#) [RK 4T-10](#) [BI4-M12-AN6X-H1141](#) [NI3-EG08K-Y1-H1341](#) [BCF5-S18-RP4X/S90](#) [BI5-M18-Y0X-H1141](#) [NI35U-CK40-ADZ30X2-B3131](#) [W/BS4](#) [WK 4T-2](#) [IM1-22EX-T](#) [NI12U-MT18-AP4X-H1141](#) [BI1.5-EG08-AP6X-H1341](#) [BC 5-Q08-AP6X2-V1131](#) [BC5-S18-Y1X](#) [CT 2-A30/M](#) [C10-T13X/024VDC](#) [FDN20-4S-4XSG-E](#) [FKV-CC](#) [FSFD 8](#) [NI4U-EG08-RP6X-V1131](#) [CMBS 8141-0](#) [FEN20-16DXP](#) [BI10-M30-AN6X-H1141](#) [VB80-P7X9-8/CS12](#) [FKFD 8](#) [RI360P0-QR24M0-INCRX2-H1181](#) [PKW 3M-6](#) [NI8-M18E-VN4X](#) [WK 4.5T-2/S618](#)