

SA1E: Photoelectric Switches

Simple, compact design for world-wide usage.

Key features of the SA1E photoelectric sensor include:

- Four sensing methods
- Cable types and M8 connector types available
- NPN output, PNP output, light ON, dark ON options
- Long sensing ranges, high speed response
- CE marked



			Through-beam Type	Polarized Retroreflective Type	Diffuse-reflective Type	Small-beam Reflective Type
Cable Type	NPN output	Light ON	SA1E-TN1	SA1E-PN1	SA1E-DN1	SA1E-NN1
		Dark ON	SA1E-TN2	SA1E-PN2	SA1E-DN2	SA1E-NN2
	PNP output	Light ON	SA1E-TP1	SA1E-PP1	SA1E-DP1	SA1E-NP1
		Dark ON	SA1E-TP2	SA1E-PP2	SA1E-DP2	SA1E-NP2
Connector Type	NPN output	Light ON	SA1E-TN1C	SA1E-PN1C	SA1E-DN1C	SA1E-NN1C
		Dark ON	SA1E-TN2C	SA1E-PN2C	SA1E-DN2C	SA1E-NN2C
	PNP output	Light ON	SA1E-TP1C	SA1E-PP1C	SA1E-DP1C	SA1E-NP1C
		Dark ON	SA1E-TP2C	SA1E-PP2C	SA1E-DP2C	SA1E-NP2C
Applicable Standard			IEC606947-5-2			
Rated Operational Voltage			12 to 24V DC			
Operating Limits			10 to 30V DC			
Rated Insulation Voltage			30V DC			
Power Consumption / Current Draw			Emitter: 15 mA Receiver: 20 mA	30 mA		
Sensing Range			10 m	2.5 m (IAC-R5) 1.5 m (IAC-R6) (Note) 1 m (IAC-RS1)	700 mm (using 200 × 200 mm white matt paper)	50 to 150 mm (using 100 × 100 mm white matt paper)
Detectable Object			Opaque		Opaque/Transparent	
Hysteresis			—		20% maximum	
Response Time			1 ms maximum			
Sensitivity Control			Adjustable using a potentiometer (approx. 260°)			
Light Source Element			Infrared LED	Red LED	Infrared LED	Red LED
Operation Mode			Light ON/Dark ON			
Control Output			NPN open collector/PNP open collector 30V DC, 100 mA maximum Voltage drop: 1.2V maximum Short-circuit protection			
LED Indicators			Operation LED: Yellow Stable LED: Green Power LED: Green (Through-beam type emitter)			
Interference Prevention			—		Two units can be mounted close together	
Degree of Protection			IP67 (IEC60529)			

General Specifications



1. Maintain at least 100 mm clearance between the SA1E photoelectric switch and reflector. Reflectors are not attached to the photoelectric switch and must be ordered separately.
2. Standard cable length for cable type is 1 meter. Contact IDEC for longer cable lengths.

		Through-beam Type	Polarized Retroreflective Type	Diffuse-reflective Type	Small-beam Reflective Type	
General Specifications con't	Extraneous Light Immunity	Sunlight: 10,000 lux maximum, Incandescent lamp: 3,000 lux maximum (at receiver)				
	Operating Temperature	-25 to + 55°C (no freezing)				
	Operating Humidity	35 to 85% RH (no condensation)				
	Storage Temperature	-40 to +70°C (no freezing)				
	Insulation Resistance	Between live and dead parts: 20 MΩ maximum (500V DC megger)				
	Dielectric Strength	Between live and dead parts: 1000V AC, 50/60 Hz, 1 minute				
	Vibration Resistance	Damage limits: 10 to 55 Hz, Amplitude 0.75 mm p-p, 20 cycles in each of 3 axes				
	Shock Resistance	Damage limits: 500 m/s ² , 10 shocks in each of 3 axes				
	Material	Housing: PC/PBT, Lens: PC (Polarized retroreflective type: PMMA), Indicator cover: PC				
	Accessories Included	Instruction sheet, Sensitivity control screwdriver				
	Weight (approx)	Cable Type	Emitter: 30g Receiver: 30g	30 g		
		Connector Type	Emitter: 10g Receiver: 10g	10 g		
	Connection Method	Cable Type	ø3.5 mm, 3-core, 0.2 mm ² , 1-m vinyl cabtyre cable (2-core for the emitter of through-beam type)			
		Connector Type	M8 connector (4-pin)			

SA1E Accessories

Mounting Brackets

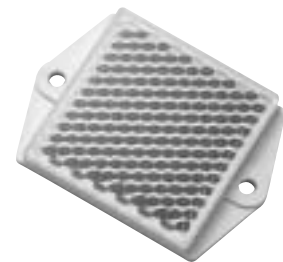
Part Number	Type	Package Quantity
SA9Z-K01	Vertical	1
SA9Z-K02	Horizontal	

Connector Cable for connector type

Part Number	Core Wires	Type & Length	Package Quantity
SA9Z-CM8K-4S2	4	Straight, 2m	1
SA9Z-CM8K-4L2		Right angle, 2m	
SA9Z-CM8K-4S5		Straight, 5m	
SA9Z-CM8K-4L5		Right angle, 5m	

Reflectors for polarized retroreflective type

Part Number	Type	Package Quantity	Type & Sensing Range	Applicable Mounting Bracket
IAC-R5	Standard	1	Straight, 2m	IAC-L2
IAC-R6	Small		Right angle, 2m	IAC-L3
IAC-RS1	Tape type		Straight, 5m	—

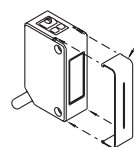


Slits for through-beam type

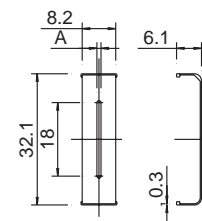
Part Number	Slit Width	Package Quantity	Sensing Range (m)		Maximum Detectable Object Width (mm)	
			One side	Both sides	One side	Both sides
SA9Z-S06PN02	0.5 mm	2	2.5	1.0	7.0	0.5
SA9Z-S07PN02	1.0 mm		3.5	1.5	7.0	1.0
SA9Z-S08PN02	2.0 mm		6.0	3.5	7.0	2.0

Dimensions

The slit can be pressed to fit on the front easily in one touch.



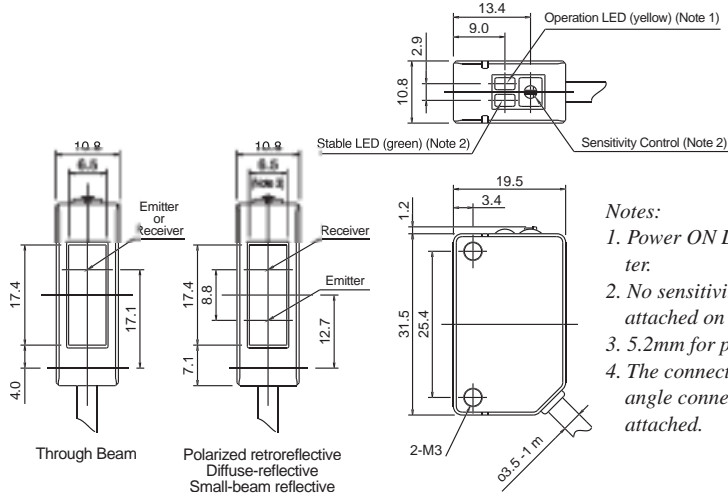
Slit (Stainless Steel)



Sensors

Dimensions

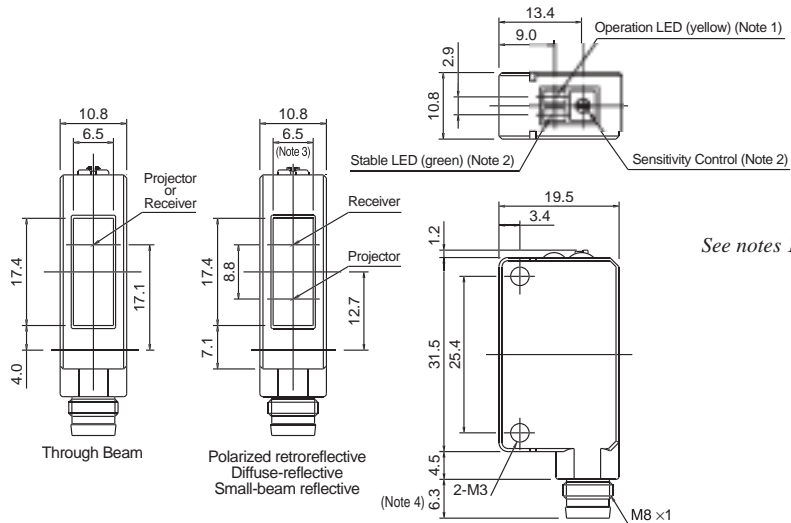
Cable Type



Notes:

1. Power ON LED (green) for through-beam emitter.
2. No sensitivity control and stable LED are attached on the through-beam emitter.
3. 5.2mm for polarized retroreflective type.
4. The connector length is 18mm when a right-angle connector cable (SA9Z-CM8K-4L) is attached.

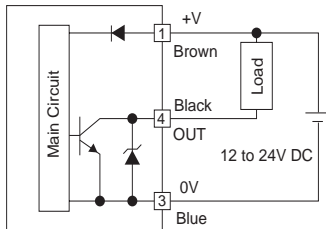
Connector Type



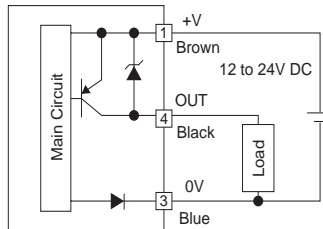
See notes 1 through 4 above.

Output Circuit and Wiring Diagram

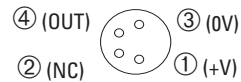
• NPN Output



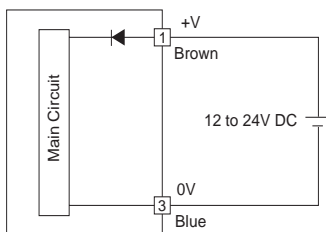
• PNP Output



Connector Pin Assignment



• Through-beam Type Emitter



Connector Pin Assignment

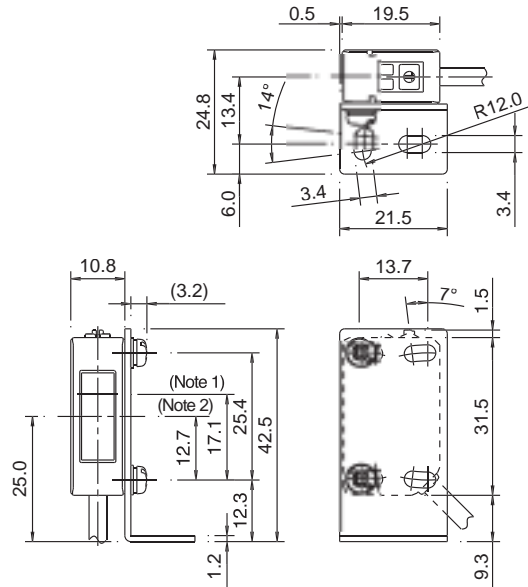
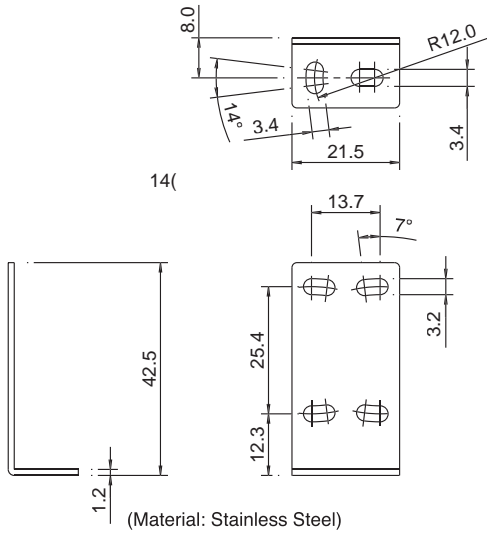


Dimensions, continued

Mounting Bracket

SA9Z-K01

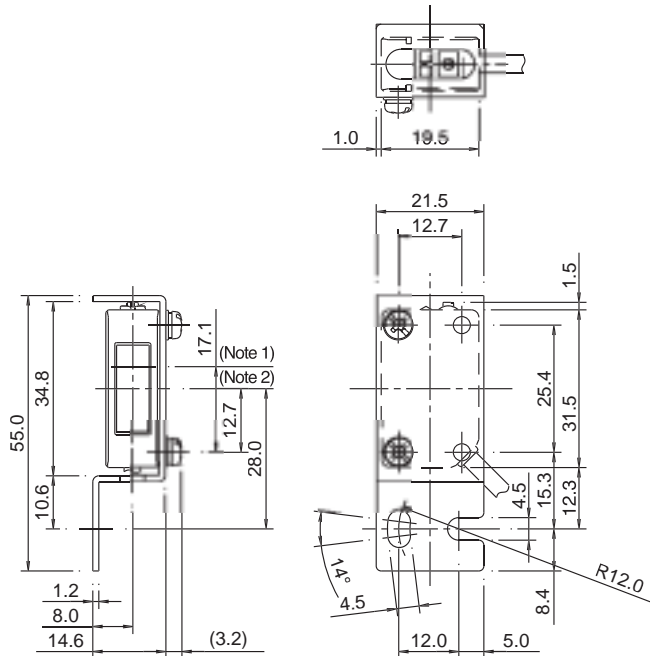
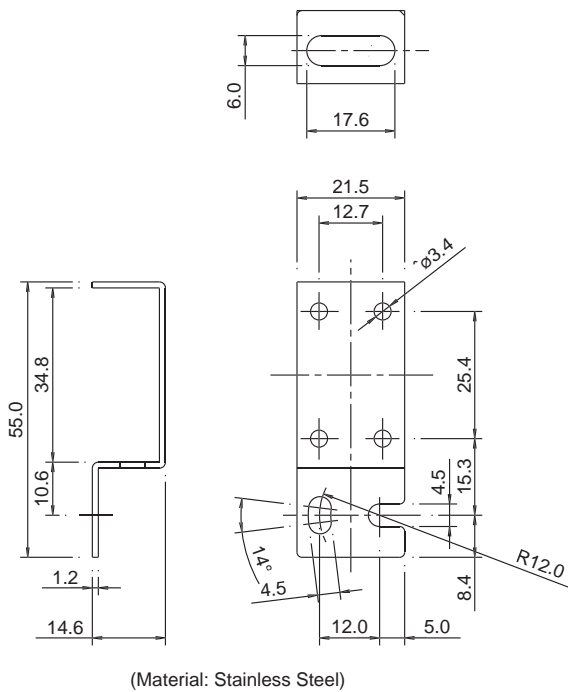
With Mounting Bracket



Note 1: Center of optical axis (through-beam type)
 Note 2: Center of optical axis (polarized retroreflective, diffuse reflective, and small-beam reflective type)

SA9Z-K02

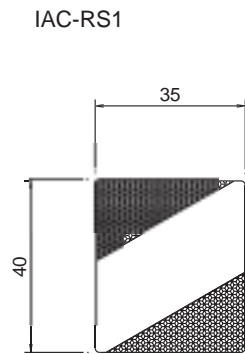
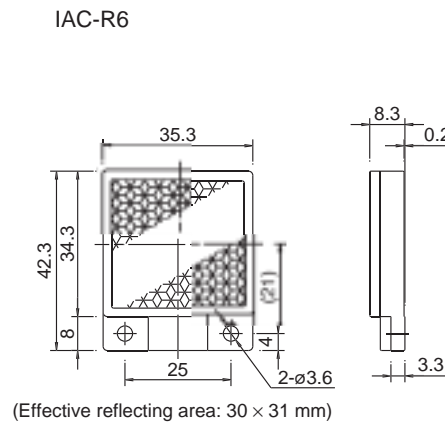
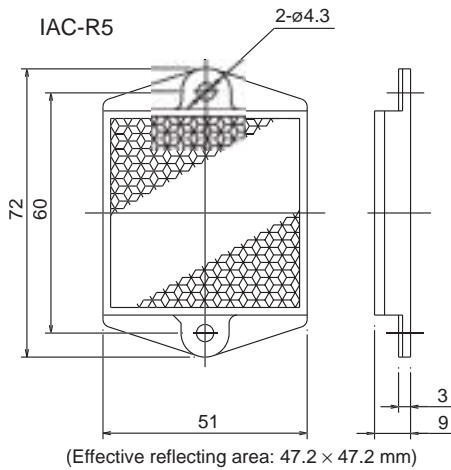
With Mounting Bracket



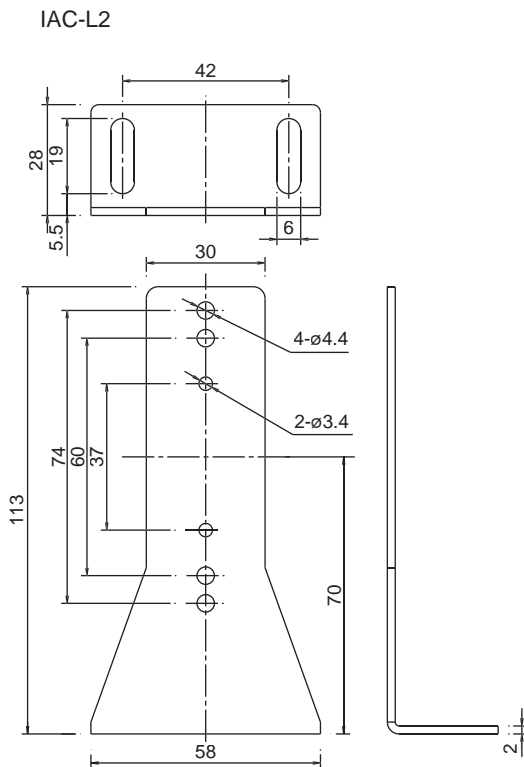
Note 1: Center of optical axis (through-beam type)
 Note 2: Center of optical axis (polarized retroreflective, diffuse reflective, and small-beam reflective type)

Dimensions, continued

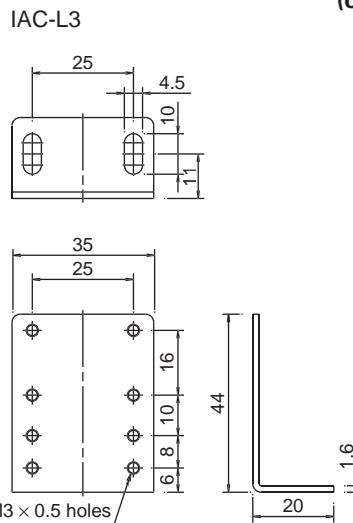
Reflector



Reflector Mounting Bracket



Material: SPCC (zinc chromate plating, black)

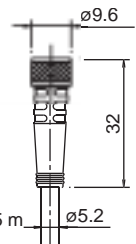


Material: SPCC (zinc plating)

Connector Cable (one-side connector)

Straight Type
SA9Z-CM8K-4S □

- ① Black
- ② Blue
- ③ White
- ④ Brown

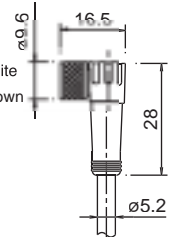


Cable length: 2 or 5 m

Note: Dielectric strength when installed on the switch
Between live part and mounting bracket: 1000V AC (except between live part and clamping ring)

Right-angle Type
SA9Z-CM8K-4L □

- ① Black
- ② Blue
- ③ White
- ④ Brown



Cable length: 2 or 5 m

Note: Dielectric strength when installed on the switch
Between live part and mounting bracket: 1000V AC (except between live part and clamping ring)

General Information

Specifications

Do not operate a sensor under any conditions exceeding these specifications.

Do not operate a sensor under current and voltage conditions other than those for which the individual sensor is rated.

Do not exceed the recommended operating temperature and humidity. Although sensors are rated for operation below 0°C, this specification does not imply that performance characteristics will remain constant under prolonged freezing conditions. Continued exposure and the accompanying frost, ice, dew, and condensation which accumulate on the optical surface will adversely affect sensor performance.

To maintain superior performance characteristics, do not exceed vibration and shock resistance ratings while operating a sensor. In addition, avoid isolated impacts to the sensor housing which are severe enough to adversely affect the waterproof characteristics.

IEC (International Electrotechnical Commission) Ratings

Sensors rated IP67 are resistant to moisture when occasionally immersed in still water. Sensors rated IP64 through IP66 are resistant to moisture when occasionally subjected to splashing or when located in the vicinity of turbulent waters. These ratings do not imply that a sensor is intended for use under continual high-pressure water spray. Avoid such applications to maintain optimal sensor performance.

Sensors rated IP64 through IP67 are dust-tight and water-tight. For best performance, avoid using any sensor in an area where it will be subjected to heavy particle blasts and where dust, water, or steam will accumulate on the optical surface.

Start-up

Do not test the housing for dielectric strength and insulation resistance, since the housing is connected to the electronic circuit ground of a sensor. Do not perform dielectric strength and insulation resistance tests on electrical systems without disconnecting photoelectric sensors, as such testing may result in damage to the sensor.

Several lines of sensors, as noted in the individual *operation* sections, are provided with an internal circuit to turn an output off for a specified amount of time upon power-up. This delay is normal; it prevents a transient state when turning power on.

Optimum Performance

The optical surface of each sensor must be cleaned on a regular basis for continual superior performance. Use a soft cloth dipped in isopropyl alcohol to remove dust and moisture build-up.

IMPORTANT: Do not use organic solvents (such as thinner, ammonia, caustic soda, or benzene) to clean any part of a sensor.

All sensors experience signal inconsistencies under the influence of inductive noise. Do not use sensors in close proximity to transformers, large inductive motors, or generators. Avoid using sensors in direct contact with sources of excessive heat. Also avoid operation in close proximity to welding equipment.



1. Even though the SA6A ultrasonic sensor features protection against noise, there may be adverse effects from strong noise.
2. It is strongly recommended to avoid using any sensor where it will be continually subjected to elements which impair performance or cause corrosive damage to the sensor. In particular, avoid strong vibrations and shocks, corrosive gases, oils, and chemicals, as well as blasts of water, steam, dust, or other particles.

Extraneous Light

Bright, extraneous light such as sunlight, incandescent lights, or fluorescent lights may impair the performance of sensors in detecting color or light.



3. SA6A ultrasonic sensors are not affected by extraneous light.

Make sure that extraneous light does not exceed recommended levels found in the individual *specifications* sections. When 500 lux is specified, this is equal to 50 footcandles. The average factory illumination is ordinarily below this level, except in areas where visual inspection is being performed. Only in such brightly lit areas is incident light of particular concern.

Unwanted light interference can often be avoided simply by making sure that the optical receiver is not aimed directly toward a strong light source. When mounting direction cannot be adjusted, place a light barrier between all nearby light sources and the receiver.

Reflected-Light Sensors

When installing sensors which detect reflected light, make sure that unwanted light reflections from nearby surfaces, such as the floor, walls, reflective machinery, or stainless steel, do not reach the optical receiver.

Also, make sure that reflected-light sensors mounted in close proximity do not cause interfering reflections. When it is not possible to maintain the recommended clearance between sensors, as noted in the individual *installation* sections, provide light barriers between sensors.

Through-Beam Sensors

A slit attachment is available to modify the beam size of through-beam sensors. This option is recommended for detecting very small objects (near the size of the smallest object which a sensor can detect) or for eliminating light interference when sensors are mounted in close proximity.

Laser Sensors

IMPORTANT: Always consider safety when installing a laser sensor of any kind. Make sure that the laser beam cannot inadvertently shine into the eyes of people passing by or working in the vicinity. See safety information on page Q-20.

Mounting

The mounting bracket and hardware are included with sensors, where applicable. Use the appropriate hardware for mounting, along with washers and spring washers or lock nuts. Do not overtighten attachment hardware. Overtightening causes damage to the housing and will adversely affect the waterproof characteristics of the sensor.

Best results can be obtained when the sensor is mounted so that the object sensed is in the center of the beam, rather than when the object is located near the edges of the sensing window. In addition, the most reliable sensing occurs when the majority of the objects being sensed are well within the sensing range, rather than at the extreme near and far limits.

Wiring

Avoid running high-voltages or power lines in the same conduit with sensor signal lines. This prevents inaccurate results or damage from induced noise. Use a separate conduit when the influence of power lines or electromagnetic equipment may occur, particularly when the distance of the wiring is extended.

IMPORTANT: Connect the sensor cables and wires as noted in the individual *Wiring* sections. Failure to connect as shown in wiring diagrams will result in damage to the internal circuit.

When extending sensor cables and wires, make sure to use cables equal or superior to that recommended in the individual *specifications* sections.

When wiring terminals, be sure to prevent contact between adjoining terminals. When using ring or fork lug terminals, use the insulated sleeve style only. Each sensor terminal can accept only one ring of fork lug terminal.

On ISF series photoelectric sensors, use recommended cable, along with the attached packing gland and washer, when wiring the terminals. This ensures waterproof and dustproof characteristics.

Power Supply

Noise resistance characteristics are improved when a sensor is grounded to the 0V power terminal. If the 0V power terminal is not at ground potential, use a ceramic 0.01µF capacitor which can withstand 250V AC minimum.

When using a switching power supply, be sure to ground the FG terminal to eliminate high-frequency noise. The power supply should include an insulating transformer, not an autotransformer.

On ISF series photoelectric sensors, the power supply should be sized according to the voltage drop through the lead wire when using a long extension for the DC type (328' or 100m maximum extension).

Power Supply

The compact PS5R-A power supply is the perfect companion item for most IDEC sensors. This power supply is only 1.77" (45mm) wide, 3.15" (80mm) tall, and 2.76" (70mm) deep. Call an IDEC representative for more details.

Part Number	Output Ratings
PS5R-A12	12V DC, 0.62A
PS5R-A24	24V DC, 0.32A

Miscellaneous

Strong magnetic fields may detract from the accuracy of the sensing measurement. Avoid mounting a sensor directly to machinery, since the housing is connected to the electronic circuit ground of the sensor. If it is necessary to mount a sensor on machinery, use the insulating plate and sleeve provided.

Glossary

Attenuation: Reduction of beam intensity as a result of environmental factors such as dust, humidity, steam, etc.

Dark on: Output energized when light is *not* detected by the receiving element. For through-beam sensors, light from the projector is not detected by the receiver when an object is present. For reflected light sensors, light is not detected when it is not reflected from an object surface.

Diffuse-reflected light sensors: Sensors that detect all scattered, reflected light. Light reflected from nearby surfaces, as well as intended object surface, is detected. Diffuse-reflected light sensors are often called "proximity switches," since they switch when any object is near. Also use to detect color contrast when colors reflect light intensity differently (green LED recommended for this application).

EEPROM: Acronym which stands for electronically erasable, programmable, read only memory.

Excess gain: Ratio of optical power available at a given projector-to-receiver range divided by the minimum optical power required to trigger the receiver.

Extraneous light: Incident light received by a sensor, unrelated to the presence or absence of object being detected. Extraneous light is usually unwanted background light such as sunlight and incandescent lamps in close proximity.

ΔE: The measurement of color difference as a three-variable function, located on an XYZ axis of light, hue, and chroma values.

Hysteresis: Operating point and release point at different levels. For solid state sensors, this is accomplished electrically. For mechanical switches, it results from storing potential energy before the transition occurs.

Light on: Output energized when light is detected by receiving element. For through-beam sensors, light from the projector is detected by the receiver when an object is not present. For reflected light sensors, light is detected when it is reflected from an object surface.

Linearity: Measurement of how nearly linear, that is, how accurate actual analog output is, with respect to distance.

NPN/PNP: Types of open collector transistors. NPN is a sink transistor; output on establishes negative potential difference. PNP is a source transistor; output on establishes positive potential difference.

Polarizing: Filtering out all reflected light except that which is projected in one plane only. Polarized retro-reflected light sensors detect the light from corner-cube type reflectors when an object is not present.

Reflected-light sensors: Sensors with the projector and receiver in one housing. Light is projected by the light source, and reflected light is received by the optical surface. Includes diffuse-reflected, retro-reflected, limited-reflected, and spot-reflected sensors.

Repeatability: Ability of a sensor to reproduce output readings consistently when the same value is applied consecutively, in the same direction, for a specified number of cycles, or for a specified time duration.

Resolution: Overall dimension of the smallest object which can be detected (when sensing the presence of an object) or smallest increment of distance which can be distinguished with reliable results (when sensing the position of an object).

Response time: Time elapsed between input and output. Total response time is the sum of object detection, amplifier response, and output response times.

Retro-reflective scan: This type of reflected light sensor uses a special reflector to return projected light when an object is not present. Sensor detects the presence of an object when the light is reflected differently.

Through-beam sensors: Sensors with a separate projector and receiver. The light source from the projector is detected by the receiver, except when an object is present.

Transient: Undesirable surge of current (many times larger than normal current) for a very short period, such as during the start-up of an inductive motor.

X-ON Electronics

Largest Supplier of Electrical and Electronic Components

Click to view similar products for [Photoelectric Sensors](#) category:

Click to view products by [Idec](#) manufacturer:

Other Similar products are found below :

[E3JM-DS70R4T-US](#) [E3L2DC4](#) [E3RA-DN12 2M](#) [E3RA-DP12 2M](#) [E3S5LE4S](#) [E3S-AD38](#) [E3S-CR11 5M](#) [E3SCT11D5M](#) [E3SCT11M1J03M](#)
[E3T-SL14R](#) [E3T-SL24 5M](#) [E3T-ST12R](#) [E3X-CN02](#) [E3X-CN11 5M](#) [E3X-CN21 10M](#) [E3ZM-B66](#) [E3ZM-CL81H 2M](#) [E3Z-T62 2M](#)
[NJL5303R-TE1](#) [PB10CNT15PO](#) [PD60CNX20BP](#) [CX-491-P-J](#) [CX-491-Z](#) [XUM2BKC�L2T](#) [XUM2BKC�L2T](#) [XUM2BNANL2R](#) [Y92E-](#)
[ES30M](#) [Y92E-GS08SS](#) [ZXTDS04T](#) [ZX-XC4A 4M](#) [E3E23Y2US](#) [E3JM-DS70S4-US](#) [E3RA-RN11 2M](#) [E3S5LE42M](#) [E3S-LS20XB4 5M](#)
[E3TFD14N](#) [E3T-FD14R](#) [E3T-SL21 5M](#) [E3T-SL21M](#) [E3T-ST11R](#) [E3T-ST12 5M](#) [E3X-DA41-S-M1J 0.3M](#) [E3X-DAB6](#) [E3X-DAG8](#) [E3ZM-](#)
[B86](#) [E3ZM-CR81 2M](#) [E3ZM-CR86](#) [E3Z-T61A-L 2M](#) [ZX-XGC2R](#) [ZX-XB1A](#)