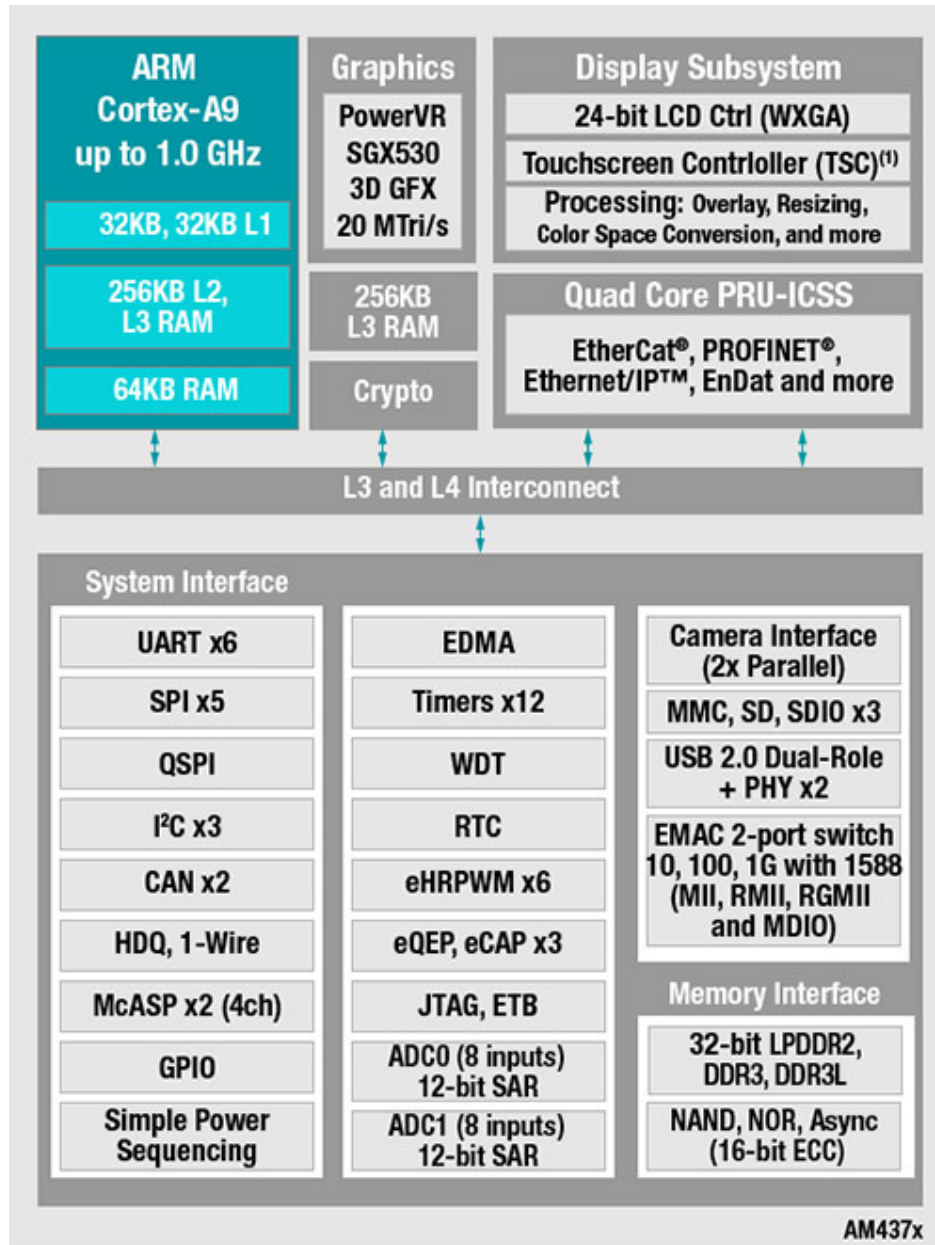


Product Overview

SBC-EC8800 is designed on TI's high-performance processor - AM437X with ARM Cortex-A9 core. Under the design of the compact body size, SBC-EC8800 provides plenty of peripheral interfaces with Gigabit Ethernet, USB2.0(Host, OTG), LCD, Camera, Micro SD card, WIFI and Bluetooth (optional), and through the onboard 80pin(40*2) header connector, it can extend the signal interface of I2C, UART, RGMII, SPI, MCASP, ADC, PWM, CAN and RS485, etc., it is a wonderful solution for the applications such as Industrial Automation, Navigation Equipment, Patient Monitoring, Point of Service, test and measurement, etc.



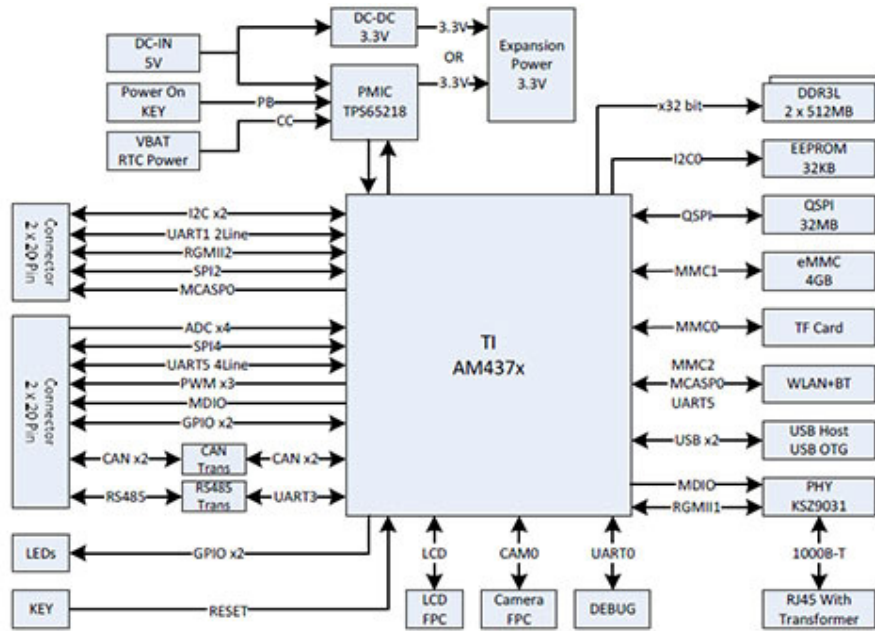
SBC-EC8800



NOTES:

(1) Use of TSC will limit availability of channels on one ADC

AM437X Functional block Diagram



SBC-EC8800 Block Diagram
SBC-EC8800 Block Diagram

Hardware Features

| Item | Feature Description (Industrial) | |
|---------------------------|--|--|
| CPU | TI AM437X | ARM Cortex-A9 core, 1G HZ |
| DDR | 1 GB DDR3L | MT41K256M16HA-125 : E |
| Onboard Memory | 4GB EMMC 32MB QSPI 32KB EEPROM | MTFC4GACAAAM-4M IT N25Q256A13EF840 CAT24C256WI-G |
| DC-in | 5V | 5V DC Jack |
| Power Management | TI Power Management IC | TPS65218 |
| Display | 24 Bit LCD interface | Support Embest 4.3inch、7inch LCD |
| Camera | Support 12 bit Camera | Support Embest standard camera module |
| External Storage | Micro SD Card for storage extension | |
| Communication | 1*gigabit Ethernet port, 1*USB OTG, 1*USB Host, 1*Industrial WIFI + Bluetooth (optional) , 1*DEBUG | |
| Onboard Interfaces | Gigabit Ethernet, USB2.0(Host, OTG), LCD, Camera, Micro SD card slot | |

| | |
|-------------------------|--|
| Signal extension | 80PIN (40*2) header connector, compatible with Raspberry Pi (40pin) and can extend the following signal as well: 2*I2C, 2*UART, 1*RGMI, 2*SPI, 1*MCASP, 4*ADC, 3*PWM, 2*GPIO, 2*CAN, 1*RS485. |
|-------------------------|--|

Software:

- a) Linux

Accessories:

- LCD: Embest 4.3/7 LCD Display
- Camera: CAM-8000D /8100D
- WIFI+Bluetooth:
 1. USB WIFI Dongle: WIPI
 2. Onboard WIFI +Bluetooth module (optional for OEM) , TI WILINK technology

X-ON Electronics

Largest Supplier of Electrical and Electronic Components

Click to view similar products for [Other Tools](#) category:

Click to view products by [Embrest](#) manufacturer:

Other Similar products are found below :

[CR-05FL7--150R](#) [CR-05FL7--698K](#) [899-2-KT46](#) [899-5-KT46](#) [CR-0AFL4--332K](#) [CR-12FP4--260R](#) [CRCW04021100FRT7](#)
[CRCW04021961FRT7](#) [5800-0090](#) [CRCW04024021FRT7](#) [CRCW040254R9FRT7](#) [CRCW0603102JRT5](#) [59065-5](#) [00-8273-RDPP](#) [00-8729-](#)
[WHPP](#) [593033](#) [593058](#) [593072](#) [593564100](#) [593575](#) [593591](#) [593593](#) [011349-000](#) [LTLA506SBLAMNBL](#) [CRCW08052740FRT1](#) [LUC-](#)
[012S070DSM](#) [LUC-018S070DSP](#) [599-2021-3-NME](#) [599-JJ-2021-03](#) [00-5080-YWPP](#) [5E4750/01-20R0-T/R](#) [LW1A-L1-GL](#) [LW1A-P1-GD](#)
[LW1L-A1C10V-GL](#) [LW1L-M1C70-A](#) [0202-0173](#) [00-9089-RDPP](#) [00-9300-RDPP](#) [CRCW2010331JR02](#) [01-1003W-8/32-10](#) [601-GP-08-](#)
[KT39](#) [601-JJ-06](#) [601-SPB](#) [601YSY](#) [602-JJ-03](#) [602SPB](#) [602Z](#) [603-JJ-07-FP](#) [603-JJY-04](#) [604J](#)