

(0.80 mm) .0315"

QSE SERIES

HIGH SPEED GROUND PLANE SOCKET

SPECIFICATIONS

For complete specifications and recommended PCB layouts see www.samtec.com/QSE

Insulator Material:
Liquid Crystal Polymer
Terminal Material:
Phosphor Bronze

Plating:
Au or Sn over
50µ" (1.27 µm) Ni

Current Rating:
Contacts:
2 A per pin

(1 pin powered per row)
Ground Plane:
23 A per ground plane
(1 ground plane powered)

Operating Temp Range:
-55°C to +125°C

Voltage Rating:
225 VAC (5 mm Stack Height)
Max Cycles: 100

RoHS Compliant: Yes

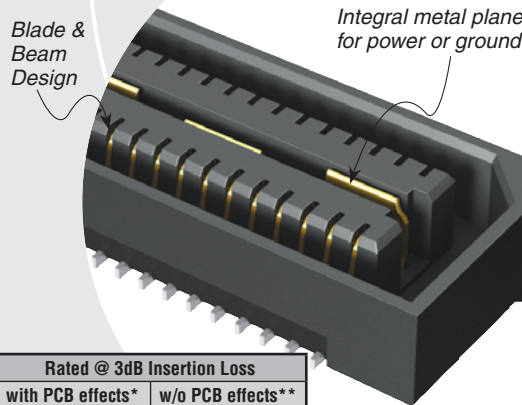
Processing:

Lead-Free Solderable: Yes
SMT Lead Coplanarity:
(0.10 mm) .004" max (020-060)

Board Stacking:
For applications requiring more than two connectors per board contact ipg@samtec.com

Board Mates:
QTE

Cable Mates:
EQCD, EQDP, EQRF
(See Also Available note)



QTE/QSE 5 mm Stack Height	Type	Rated @ 3dB Insertion Loss	
		with PCB effects*	w/o PCB effects**
Single-Ended Signaling	-D	9 GHz / 18 Gbps	9 GHz / 18 Gbps
Differential Pair Signaling	-D	8 GHz / 16 Gbps	14 GHz / 28 Gbps
Differential Pair Signaling	-DP	8.5 GHz / 17 Gbps	13.5 GHz / 27 Gbps

*Performance data includes effects of a non-optimized PCB.
**Test board losses de-embedded from performance data.
Performance data for other stack heights and complete test data available at www.samtec.com/QSE or contact sig@samtec.com

infinch
CERTIFIED

28+
Gbps

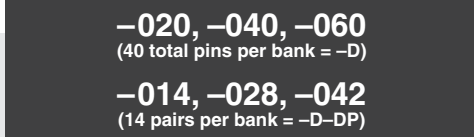
RECOGNITIONS

For complete scope of recognitions see www.samtec.com/quality



ALSO AVAILABLE (MOQ Required)

- 15 mm, 22 mm and 30 mm stack height (Caution: Some automatic placement/inspection machines may have component height restrictions. Please consult machinery specifications.)
 - 30µ" (0.76 µm) Gold (Specify -H plating for Data Rate cable mating applications.)
 - Edge Mount
 - 56 (-DP), 80, 100 positions per row
 - Guide Posts and Friction Lock options.
 - Retention Option
- Contact Samtec.



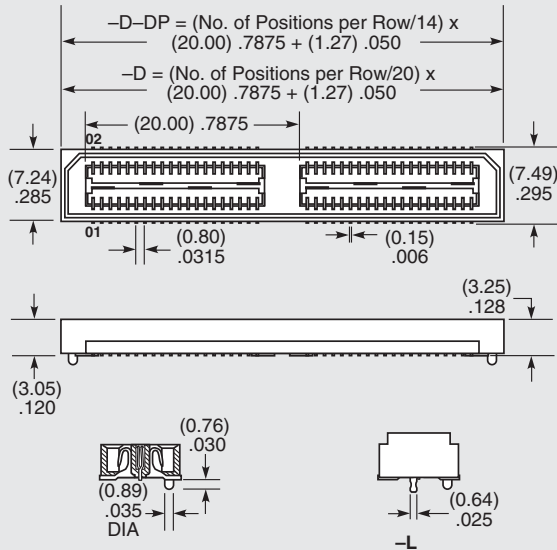
- F** = Gold Flash on Signal Pins and Ground Plane, Matte Tin on tails
- L** = 10µ" (0.25 µm) Gold on Signal Pins and Ground Plane, Matte Tin on tails
- C*** = Electro-Polished Selective 50µ" (1.27 µm) min Au over 150µ" (3.81 µm) Ni on Signal Pins in contact area, 10µ" (0.25 µm) min Au over 50µ" (1.27 µm) Ni on Ground Plane in contact area, Matte Tin over 50µ" (1.27 µm) min Ni on all solder tails

- D** = Single-Ended
- D-DP** = Differential Pair (-01 only)

- GP** = Guide Post (-020 only)
- K** = (8.25 mm) .325" DIA Polyimide Film Pick & Place Pad
- TR** = Tape & Reel Packaging
- L** = Latching Option (N/A on -042 & -060 positions)

QTE LEAD STYLE	MATED HEIGHT WITH QSE*
-01	(5.00) .197
-02	(8.00) .315
-03	(11.00) .433
-04	(16.00) .630
-05	(19.00) .748
-07	(25.00) .984
-09	(14.00) .551

*Processing conditions will affect mated height.



*Note: -C Plating passes 10 year MFG testing
Note: Some lengths, styles and options are non-standard, non-returnable.

OTHER SOLUTIONS
• Board Spacing Standoffs. See SO Series

X-ON Electronics

Largest Supplier of Electrical and Electronic Components

Click to view similar products for [Headers & Wire Housings](#) category:

Click to view products by [Samtec](#) manufacturer:

Other Similar products are found below :

[95000-104TRLF](#) [10135584-644402LF](#) [DF62W-EP2022PCA](#) [95000-106TRLF](#) [DF62W-2022SCA](#) [DF62W-EP2022PC](#) [2203348](#) [DF62W-2022SC](#) [1084018](#) [1029039](#) [1084017](#) [802-10-012-10-002000](#) [1112640](#) [1112639](#) [000-34000](#) [0009482033](#) [0009507031](#) [57102-S06-03LF](#) [57202-S52-04LF](#) [PCN6-15S-2.5E](#) [0039019024](#) [58102-G61-06LF](#) [582553-1](#) [0009485154](#) [0009508121](#) [0022285053](#) [0050291907](#) [018731A](#) [LY20-4P-DT1-P1E-BR](#) [02.125.8002.8](#) [60101931](#) [60598-1 \(Cut Strip\)](#) [M1625-3R/100](#) [61062-3](#) [61082-181009](#) [636-1427](#) [638009-1](#) [641938-9](#) [641991-4](#) [644168-1](#) [647662-1](#) [65039-019ELF](#) [65781-018](#) [65781-047](#) [65817-002LF](#) [65817-015LF](#) [65863-015LF](#) [66207-023LF](#) [67016-026LF](#) [67046-001LF](#)