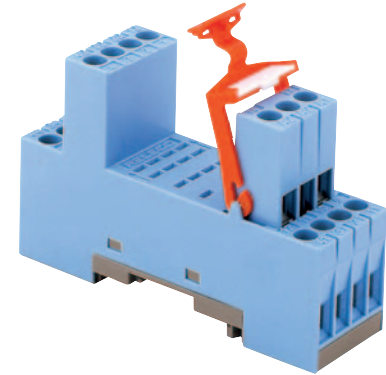
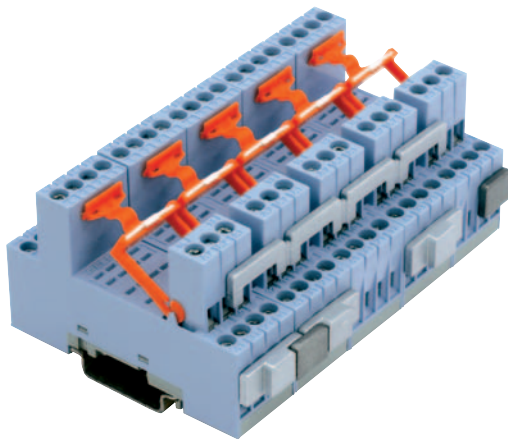


QRC series
S9-M
Socket for miniature 4 pole relay C9-...

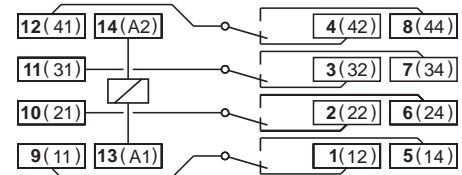
Type	S9-M 4-pole, 2 level integrated clip and marking label
Rated current	6 A
Specifications	
Rated load	6 A/250 V
Insulation	Test voltage V rms 1 min
- All terminals/DIN rail	2,5 kV
- Terminal/terminal	2,5 kV
Cross-section of connecting wire	
- Single-wire	4 mm ² or 2 x 2,5 mm ²
- Multi-wire	22 - 14 AWG
Max. screw torque	1,2 Nm
Screw dimensions	M3, Pozi, slot
Integrated retaining clip/plastic	for relay series C9
Labelling space	detachable
Connection label	1...14; DIN/EN
Mounting	DIN rail TS35 or mounting plate
Ambient temperature operation/storage	-40 (no ice)...60 °C /-40 ... 80 °C



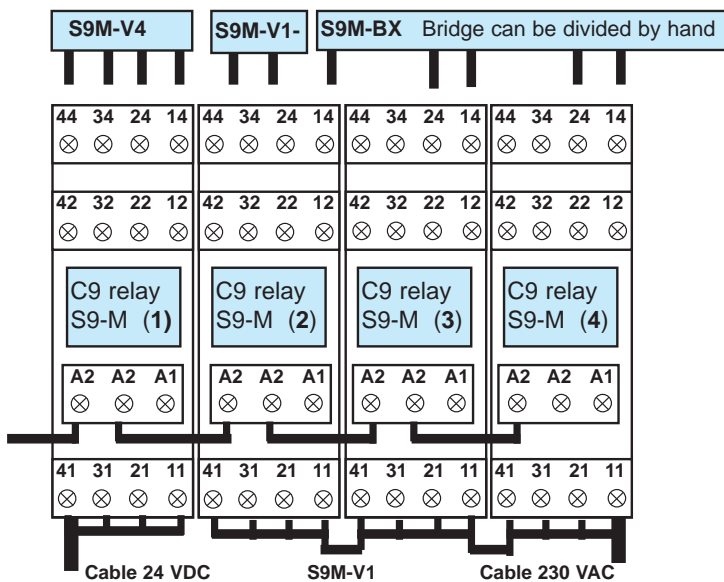
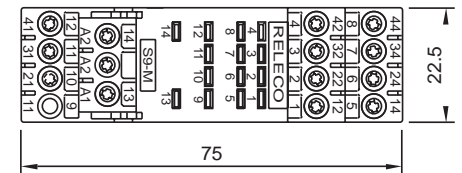
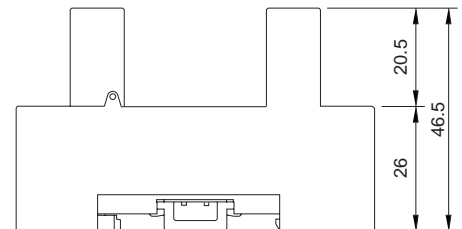
Socket for 4 poles, QRC relays **C9-A, C9-E, C9-R**



Connection diagram



Dimensions [mm]



Technical approvals, conformities



(D) (S) (FI) (N) EN 60947-1, EN 61810-5

X-ON Electronics

Largest Supplier of Electrical and Electronic Components

Click to view similar products for [releco manufacturer](#):

Other Similar products are found below :

[S-12](#) [S2B + S2BC](#) [C10A10X230A](#) [S4-B+S3-C](#) [C3-A30X24D](#) [C12A21BX24AD](#) [C2-A20X230A](#) [C7-A20X24D](#) [C4-A40X230A](#)
[C10A10X24D](#) [S9-M](#) [C4-A40X24D](#) [C9-A41X115A](#)